



soberton inc.

## SP DYNAMIC SPEAKER UNIT

Acoustic Product Specification

Product Number: SP-1625N



Release | Revision: A/2019

### CONTENTS

This document contains the technical specifications for the speaker unit.

**Page 1**  
General Specifications

**Page 2**  
Standard Test Conditions  
Test Conditions

**Page 3**  
Reliability Tests

**Page 4**  
Frequency Response Curve

**Page 5**  
Dimensions

**Page 6**  
Packing

## General Specifications

### Sound Pressure Level

80 ±3dB SPL @1.0 Watt, at 50 cm  
Average @ 0.8, 1.0, 1.2, 1.5 KHz

### Voice Coil Impedance

DC : 8±15% Ω

### Resonance Frequency

750±20% Hz

### Response Range

F0~20 KHz.

### Power Rating (Normal/ Maximum)

Normal: 1.0 W  
Maximum: 1.5 W

### Distortion

10% Max @1,000 Hz, 0.1 Watt

### Abnormal Sound Test

Result must be normal when tested at 2.83 Volts in free air.

### Magnet

Material: NdFeB

### Polarity

Diaphragm shall move forward when a positive DC current is applied to the "+" or "Marked" Terminal.

### Load Test

White noise (EIA filter) for 96 hours @1.0W input power

### Environmental Protection Regulation

RoHS 2.0

### IP Level

None

### Dimension

25.0x16.0xH6.4mm



soberton inc.

# SP DYNAMIC SPEAKER UNIT

Acoustic Product Specification

Product Number: SP-1625N



Release | Revision: A/2019

## CONTENTS

This document contains the technical specifications for the speaker unit.

**Page 1**  
General Specifications

**Page 2**  
Standard Test Conditions  
Test Conditions

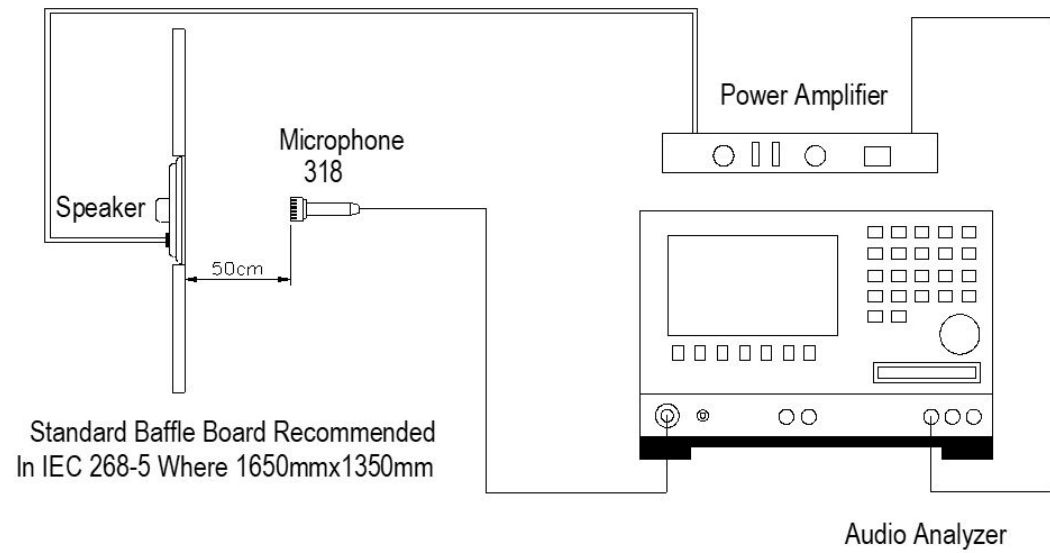
**Page 3**  
Reliability Tests

**Page 4**  
Frequency Response Curve

**Page 5**  
Dimensions

**Page 6**  
Packing

## Standard Test Condition



## Test Conditions

### Standard Test Condition

Temperature 15~ 35°C

Relative humidity 45% ~ 85%

Atmospheric pressure 860~1060 mbar

### Standard Test Fixture

Input power: 1.0W (2.83V)

Zero level: -dB

Mode: TSR

Potentiometer Range: 50dB

Sweep time: 0.5sec



soberton inc.

## SP DYNAMIC SPEAKER UNIT

Acoustic Product Specification

Product Number: SP-1625N



Release | Revision: A/2019

### CONTENTS

This document contains the technical specifications for the speaker unit.

**Page 1**  
General Specifications

**Page 2**  
Standard Test Conditions  
Test Conditions

**Page 3**  
Reliability Tests

**Page 4**  
Frequency Response Curve

**Page 5**  
Dimensions

**Page 6**  
Packing

## Reliability Tests

The sound pressure as specified will neither deviate more than  $\pm 3\text{dB}$  from the initial value, nor have any significant damage after any of following testing.

### High Temperature Test

High Temperature  $+60\pm 2^\circ\text{C}$

Duration 96 hours

### Low Temperature Test

Low Temperature  $-20\pm 2^\circ\text{C}$

Duration 96 hours

### Heat Shock Test

High Temperature  $+60\pm 2^\circ\text{C}$

Low Temperature  $-20\pm 2^\circ\text{C}$

Changeover Time  $< 30$  seconds

Duration 1 hour

Cycle 100

### Humidity Test

Temperature  $+40\pm 2^\circ\text{C}$

Relative Humidity 90%~95%

Duration 96 hours

### Temperature Cycle Test

Temperature  $-25^\circ\text{C}$      $+65^\circ\text{C}$

Duration    96 hours 96 hours

Temperature gradient  $\pm 2^\circ\text{C}/\text{min}$

Cycle 5

### Drop Test

Mounted with dummy set mass    In Normal Box

Height    75 cm

Cycle    10 (1 each plain) onto the concrete board

### Load Test

White noise (EIA filter) for 96 hours @1.0W input power



soberton inc.

## SP DYNAMIC SPEAKER UNIT

Acoustic Product Specification

Product Number: SP-1625N



Release | Revision: A/2019

### CONTENTS

This document contains the technical specifications for the speaker unit.

**Page 1**  
General Specifications

**Page 2**  
Standard Test Conditions  
Test Conditions

**Page 3**  
Reliability Tests

**Page 4**  
Frequency Response Curve

**Page 5**  
Dimensions

**Page 6**  
Packing

### Frequency Response Curve





soberton inc.

# SP DYNAMIC SPEAKER UNIT

Acoustic Product Specification

Product Number: SP-1625N



Release | Revision: A/2019

## CONTENTS

This document contains the technical specifications for the speaker unit.

**Page 1**  
General Specifications

**Page 2**  
Standard Test Conditions  
Test Conditions

**Page 3**  
Reliability Tests

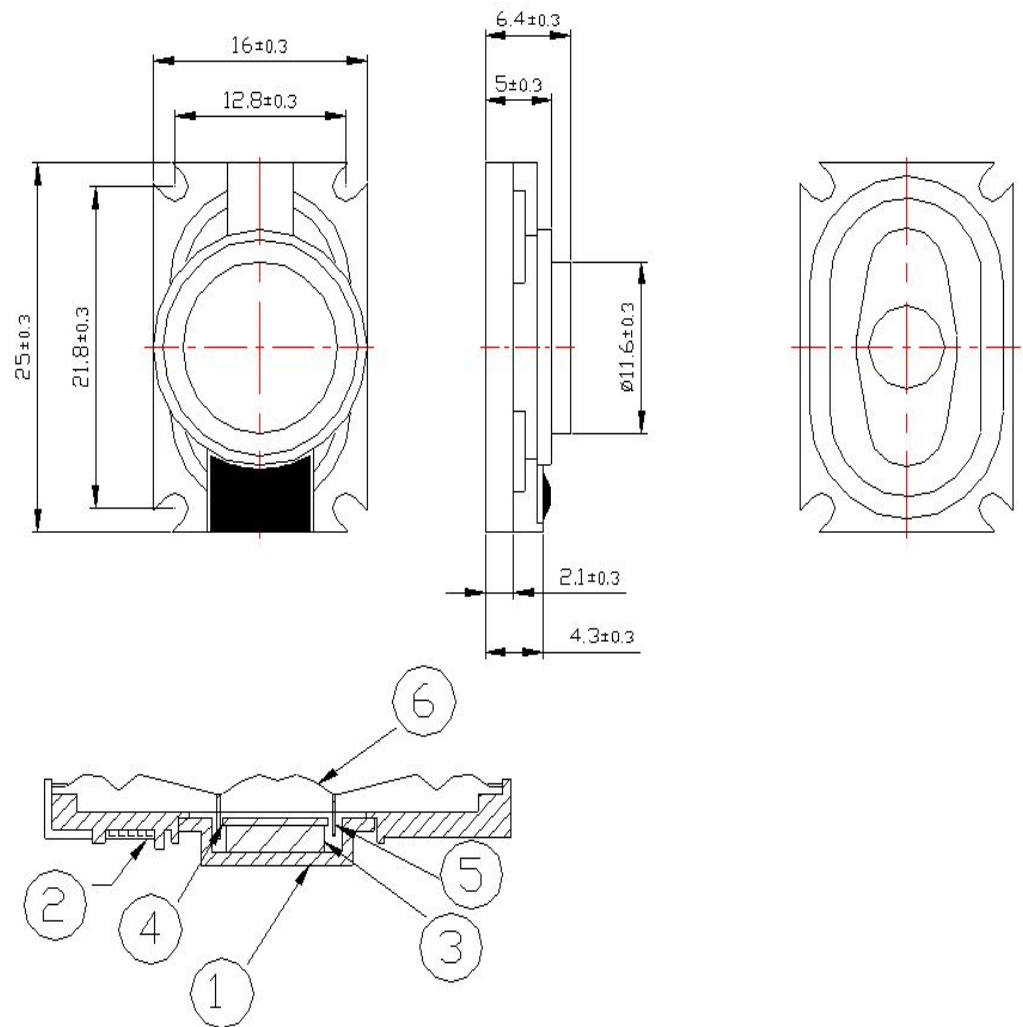
**Page 4**  
Frequency Response Curve

**Page 5**  
Dimensions

**Page 6**  
Packing

## Dimensions

Tolerance:  $\pm 0.5$  (unit: mm)



No.	Part Name	Material	Quantity
1	Frame	Plastic	1
2	PCB Terminal	Paper + Cu	1
3	Magnet	NdFeB	1
4	Plate	SPCC	1
5	Voice Coil	Paper + Cu	1
6	Diaphragm	Cloth	1



soberton inc.

# SP DYNAMIC SPEAKER UNIT

Acoustic Product Specification

Product Number: SP-1625N



Release | Revision: A/2019

## CONTENTS

This document contains the technical specifications for the speaker unit.

**Page 1**  
General Specifications

**Page 2**  
Standard Test Conditions  
Test Conditions

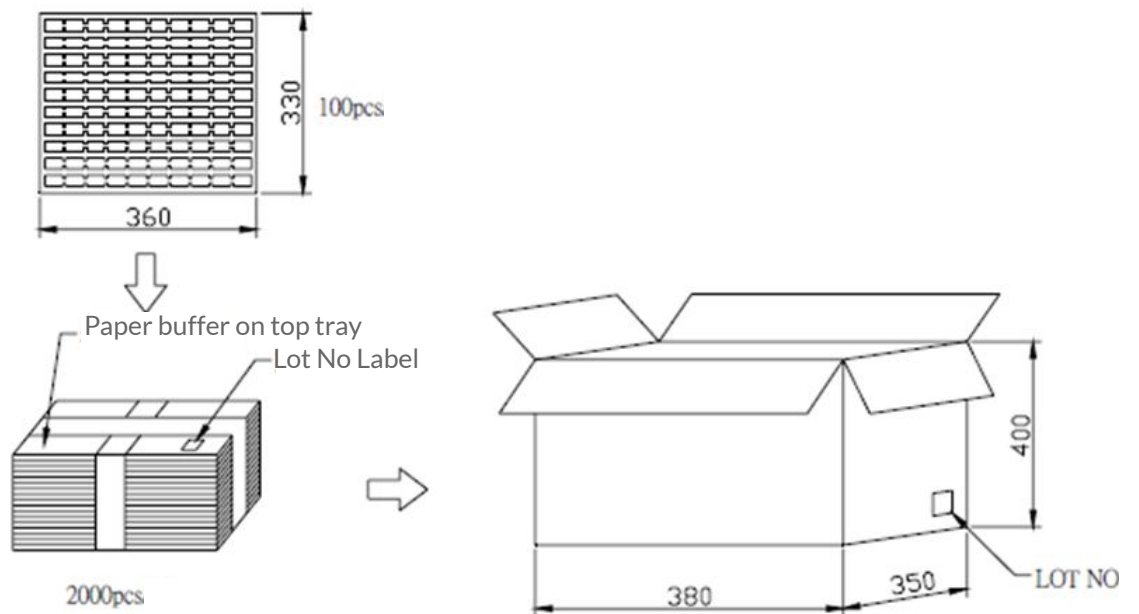
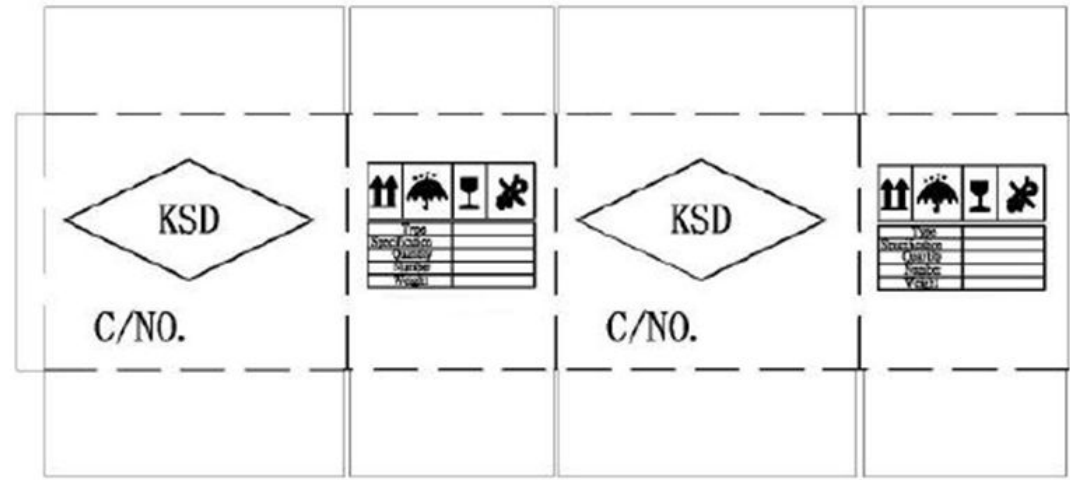
**Page 3**  
Reliability Tests

**Page 4**  
Frequency Response Curve

**Page 5**  
Dimensions

**Page 6**  
Packing

## Packing



## Packing Information

Per Tray: 100pcs

Per Carton: 2,000pcs

Carton Size: 38.0x35.0x40.0 cm