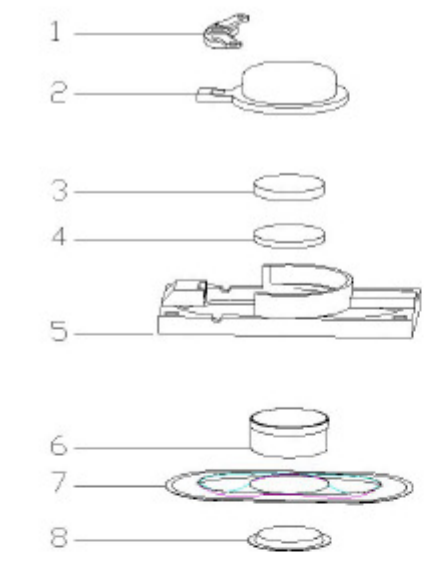
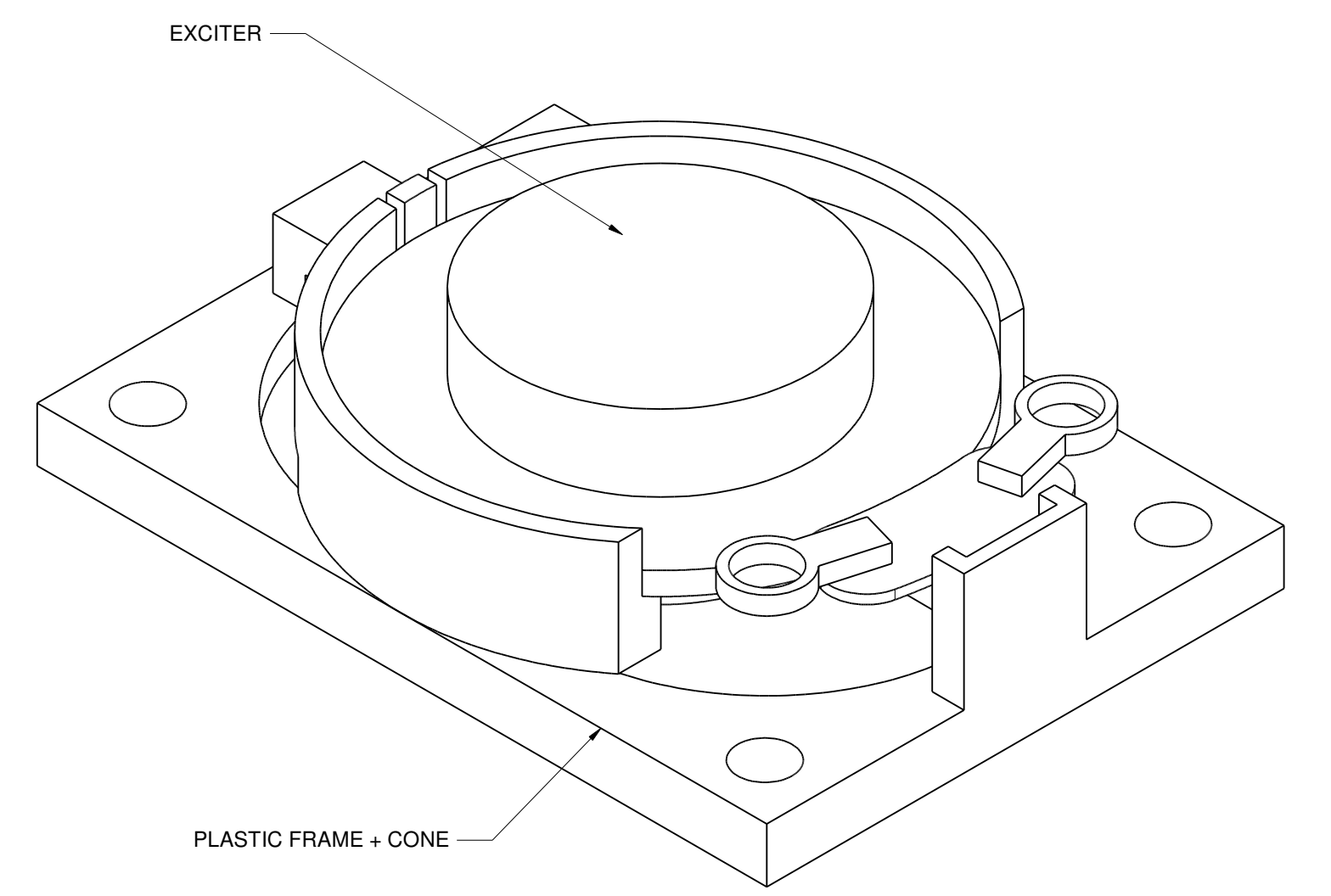
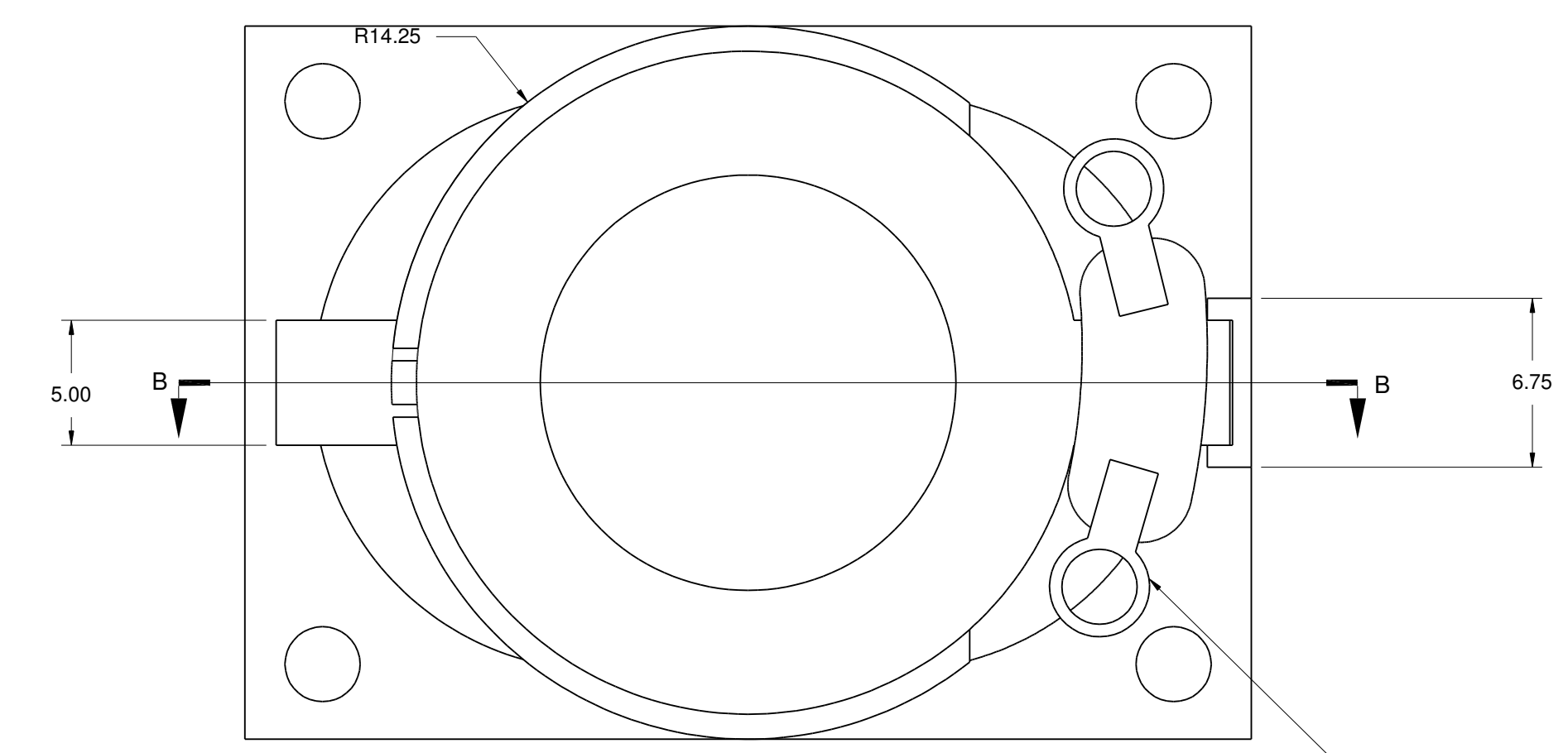
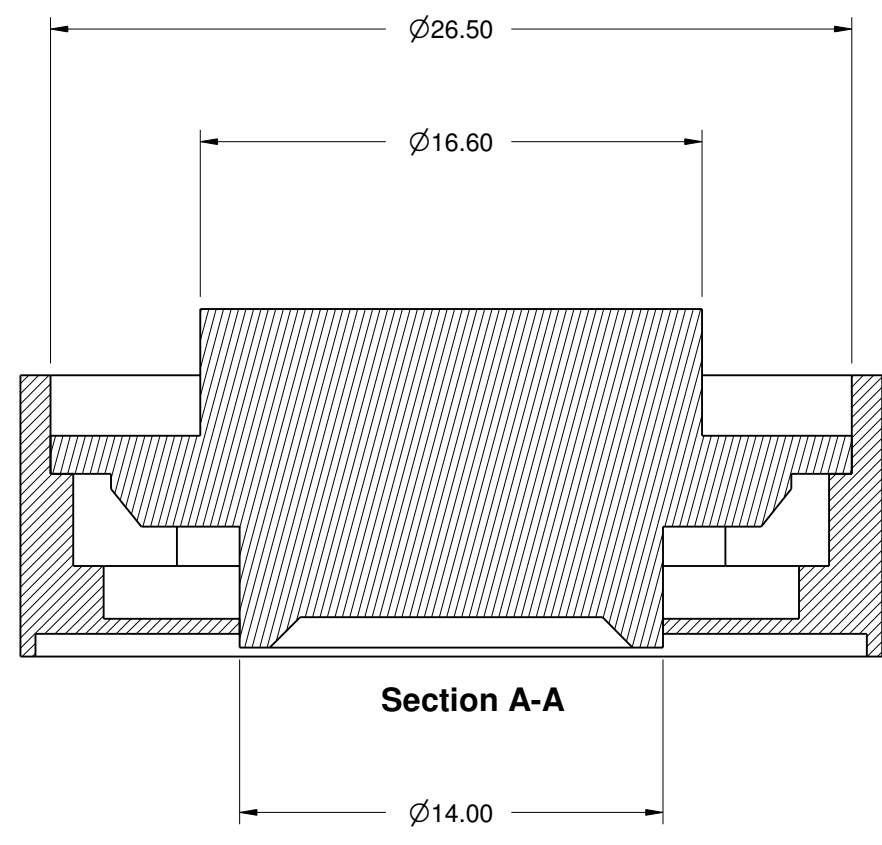


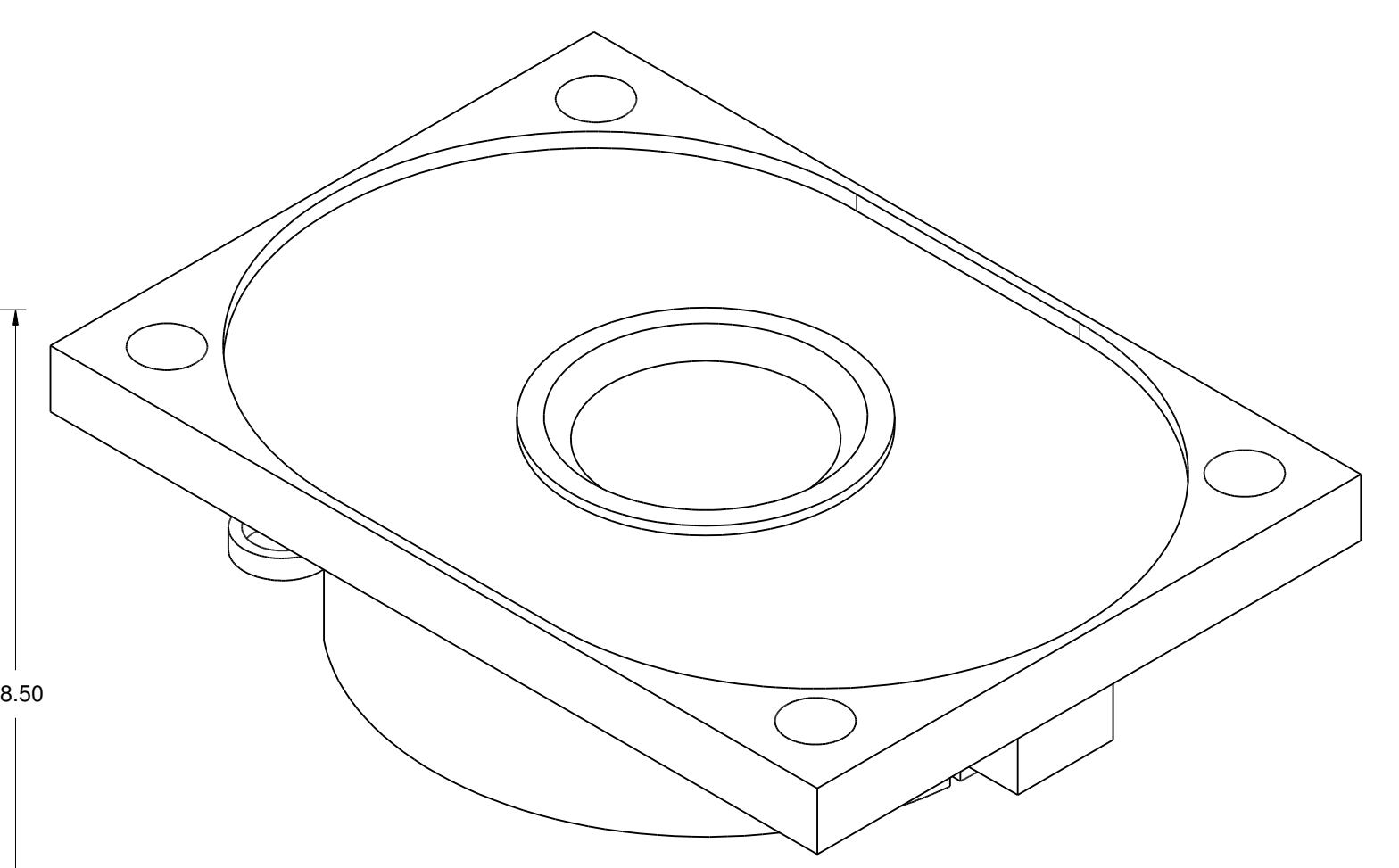
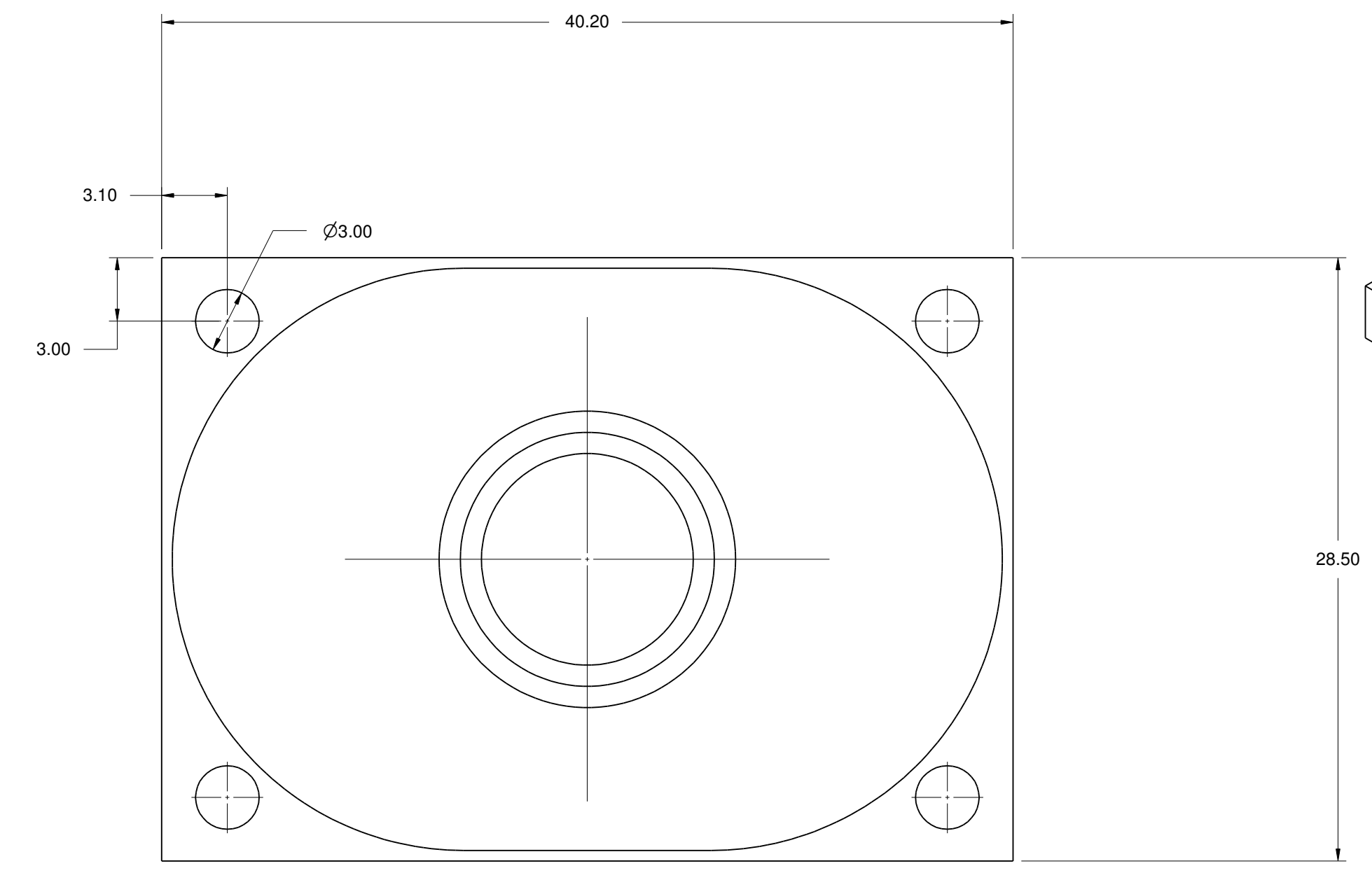
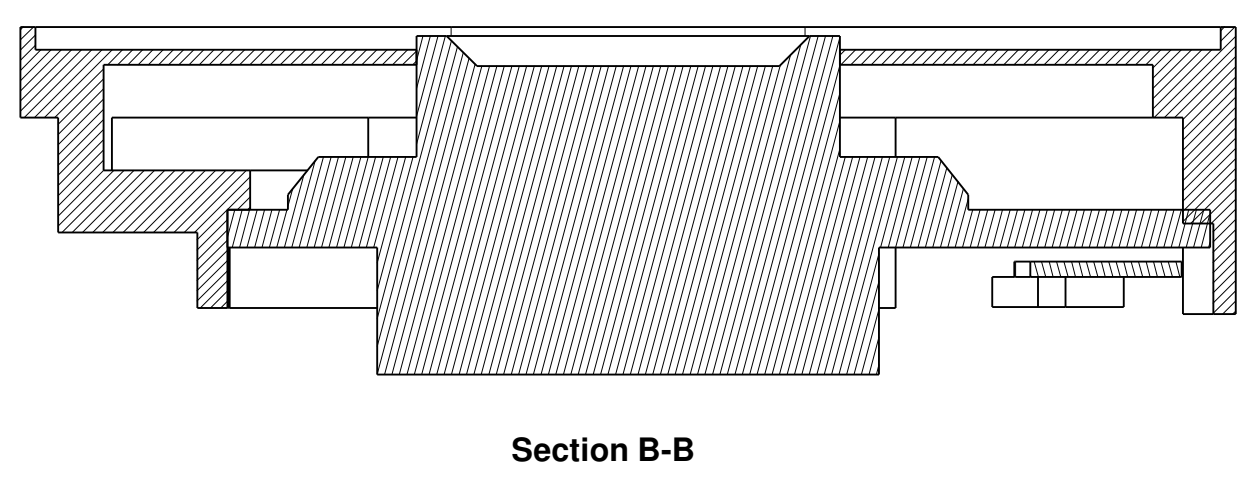
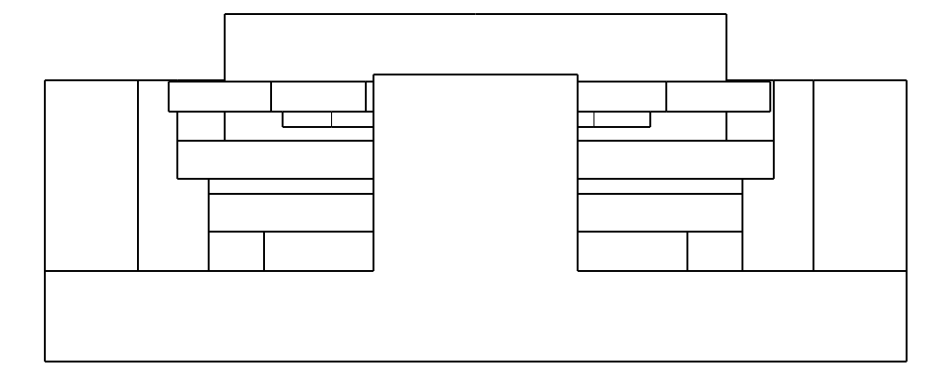
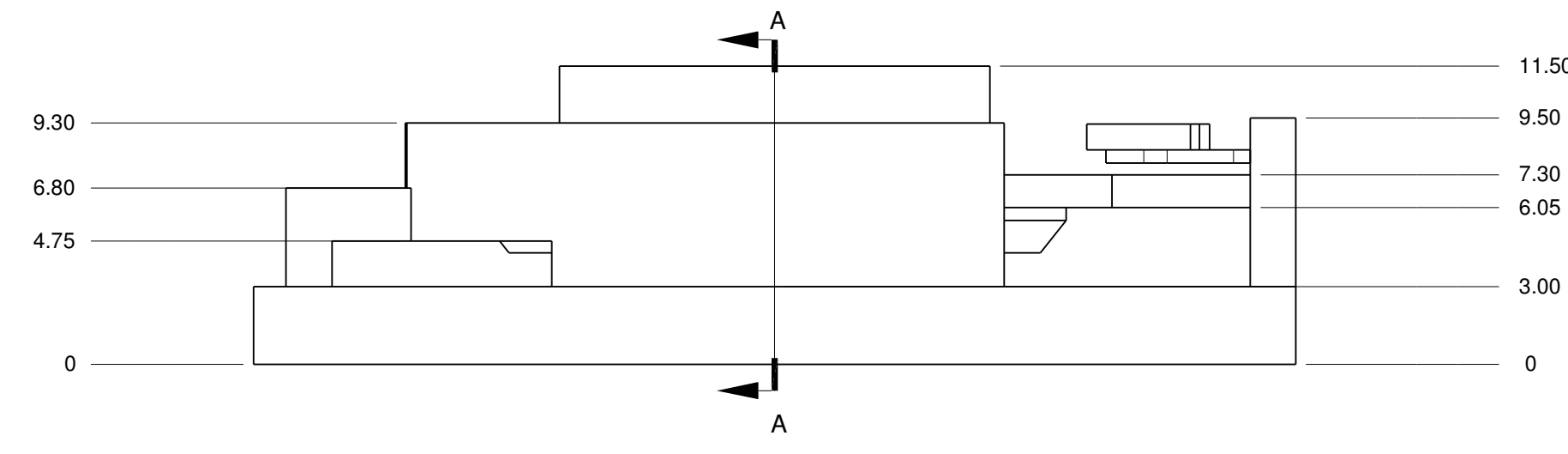
REVISIONS				
ZONE	REV	DESCRIPTION	DATE	APPROVED



No.	Part Name	Material	Quantity
1	PCB Terminal	Paper + metal	1
2	Yoke	SPCC	1
3	Magnet	Nd Fe B	1
4	Plate	SPCC	1
5	Frame	ABS	1
6	Voice Coil	Paper + Cu	1
7	Diaphragm	Cloth-edge + paper	1
8	Cap	Paper	1
9	Wire (40mm)	UL1571 / AWG 28#	2
10	Connector	JST-SHR-02V-S-B	1



40MM LONG +/-5MM UL1571 AWG28 WIRE
W/ JST-SHR-02V-S-B CONNECTOR
(NOT SHOWN)



ALL TOLERANCES +/- .5MM UNLESS NOTED



SIZE D	FSCM NO.	DWG NO. SP-4029	REV
SCALE 1:1	SHEET 1 OF 1		