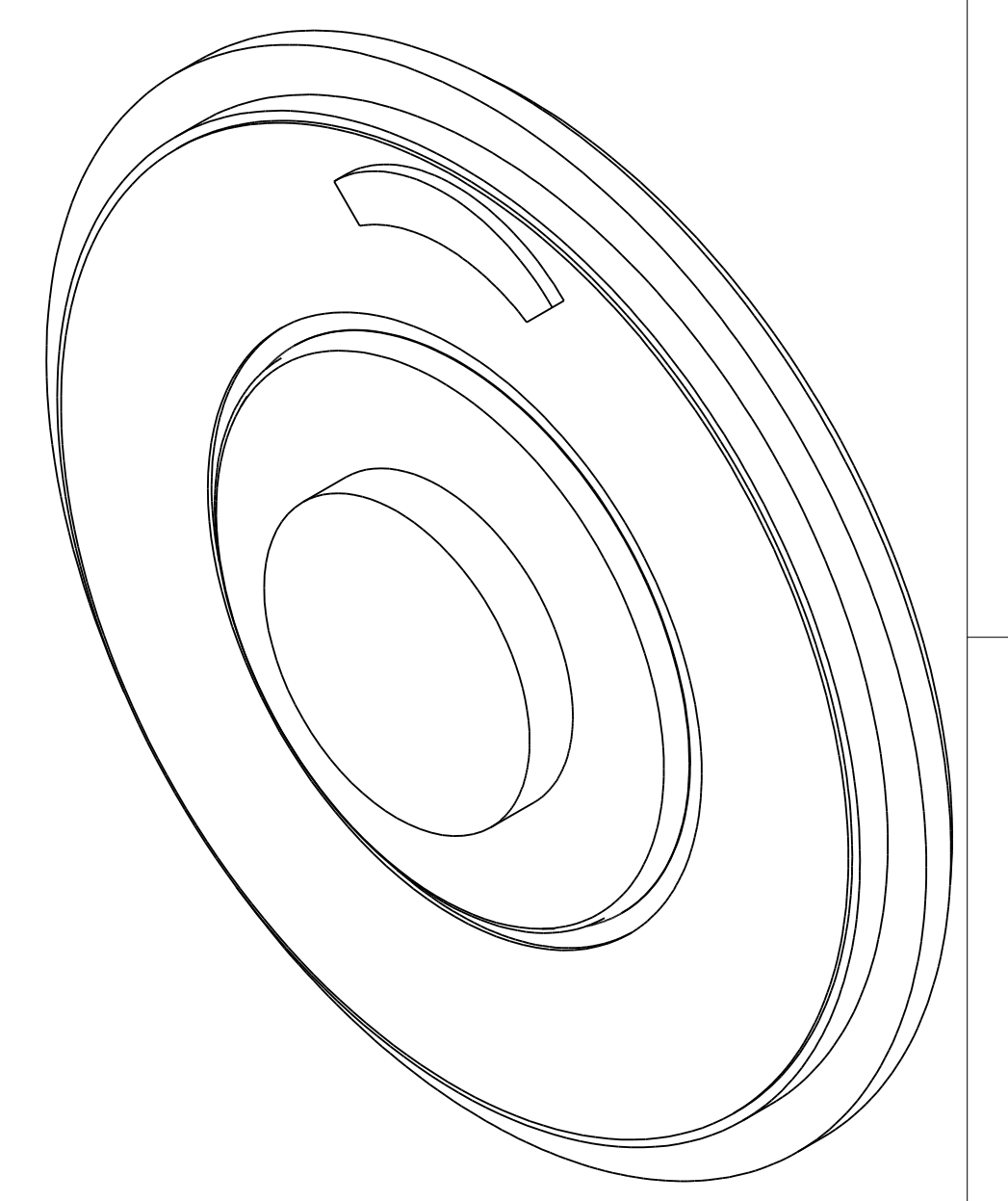
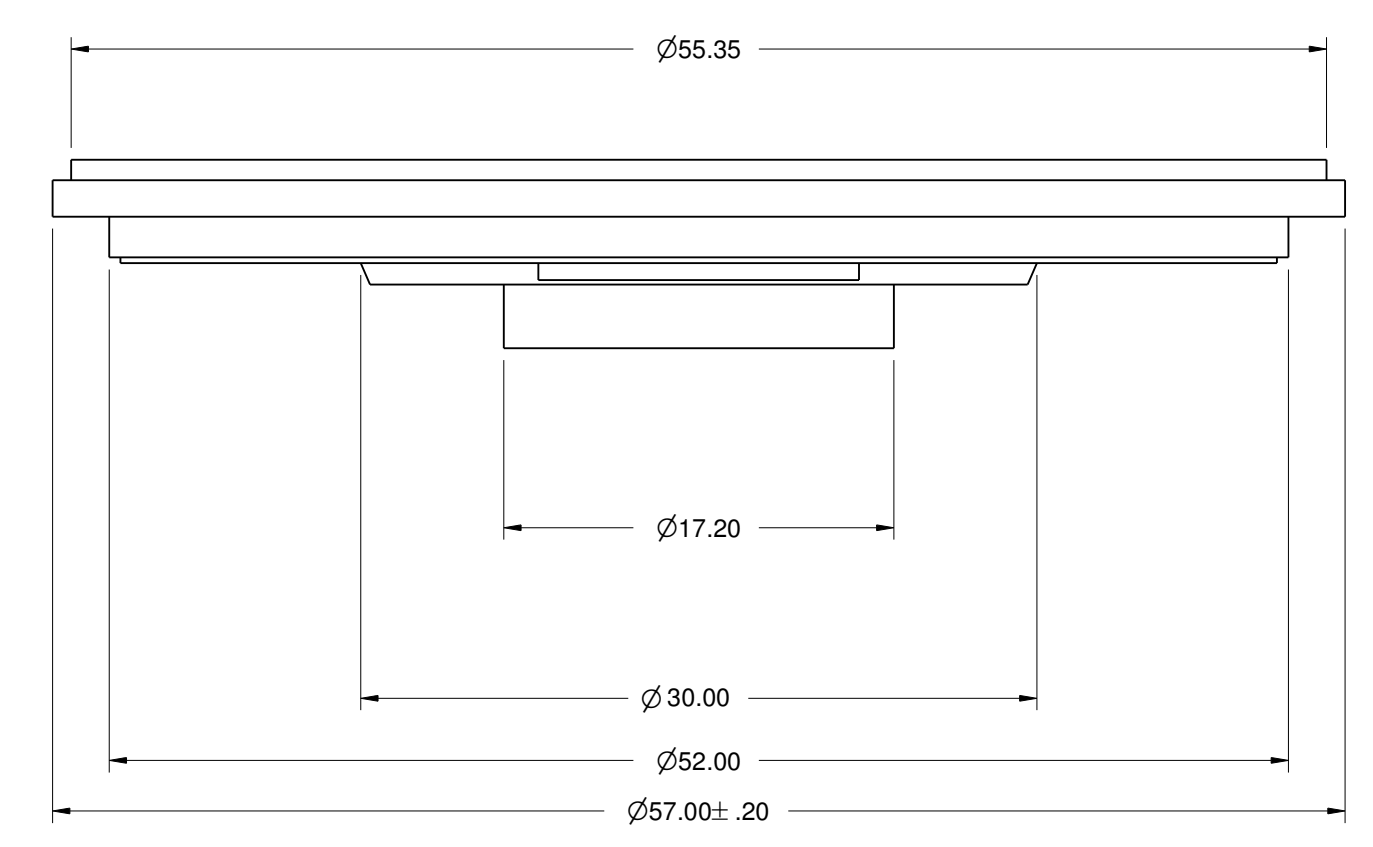
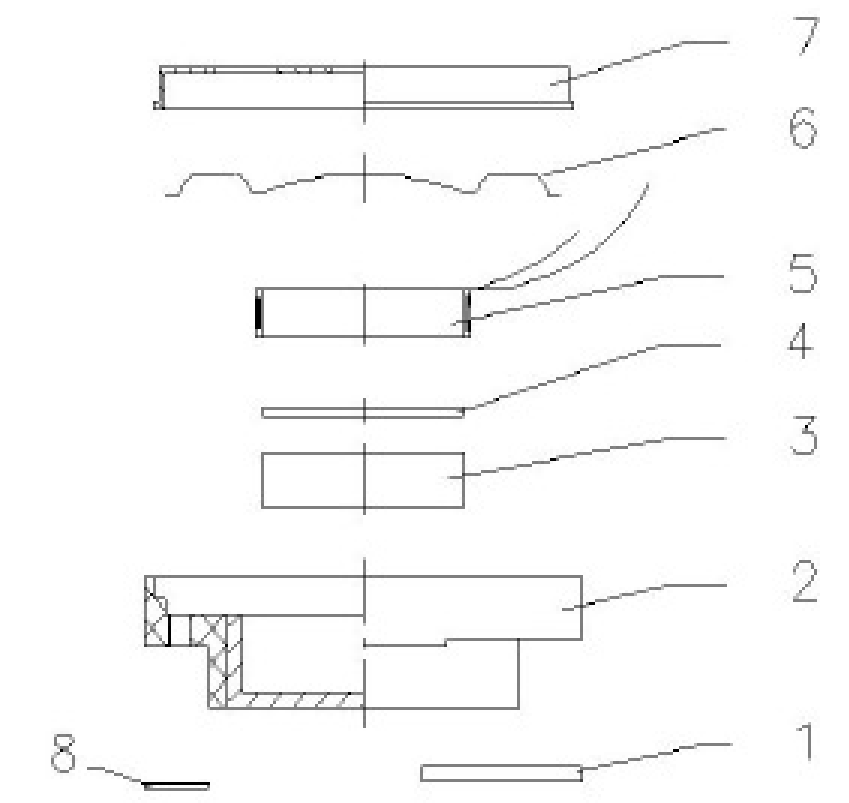
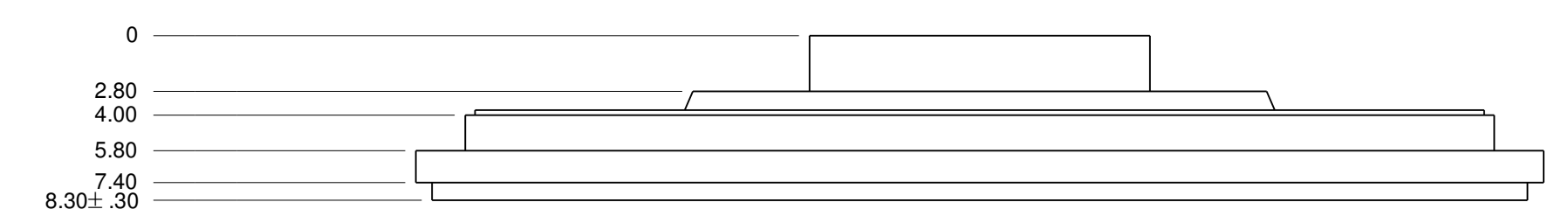
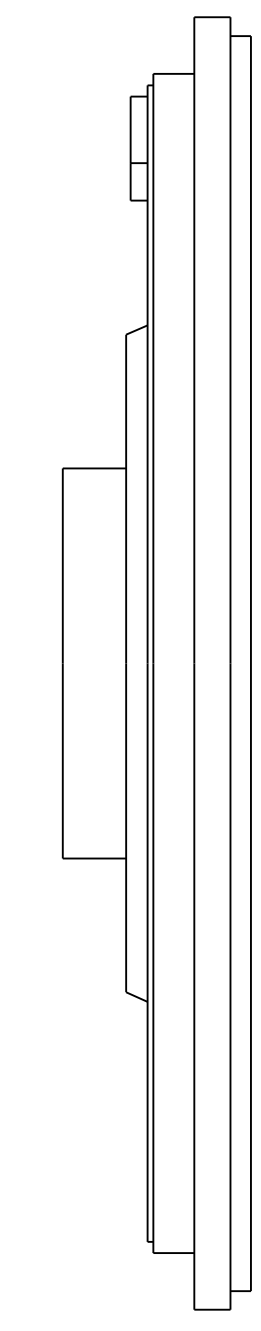
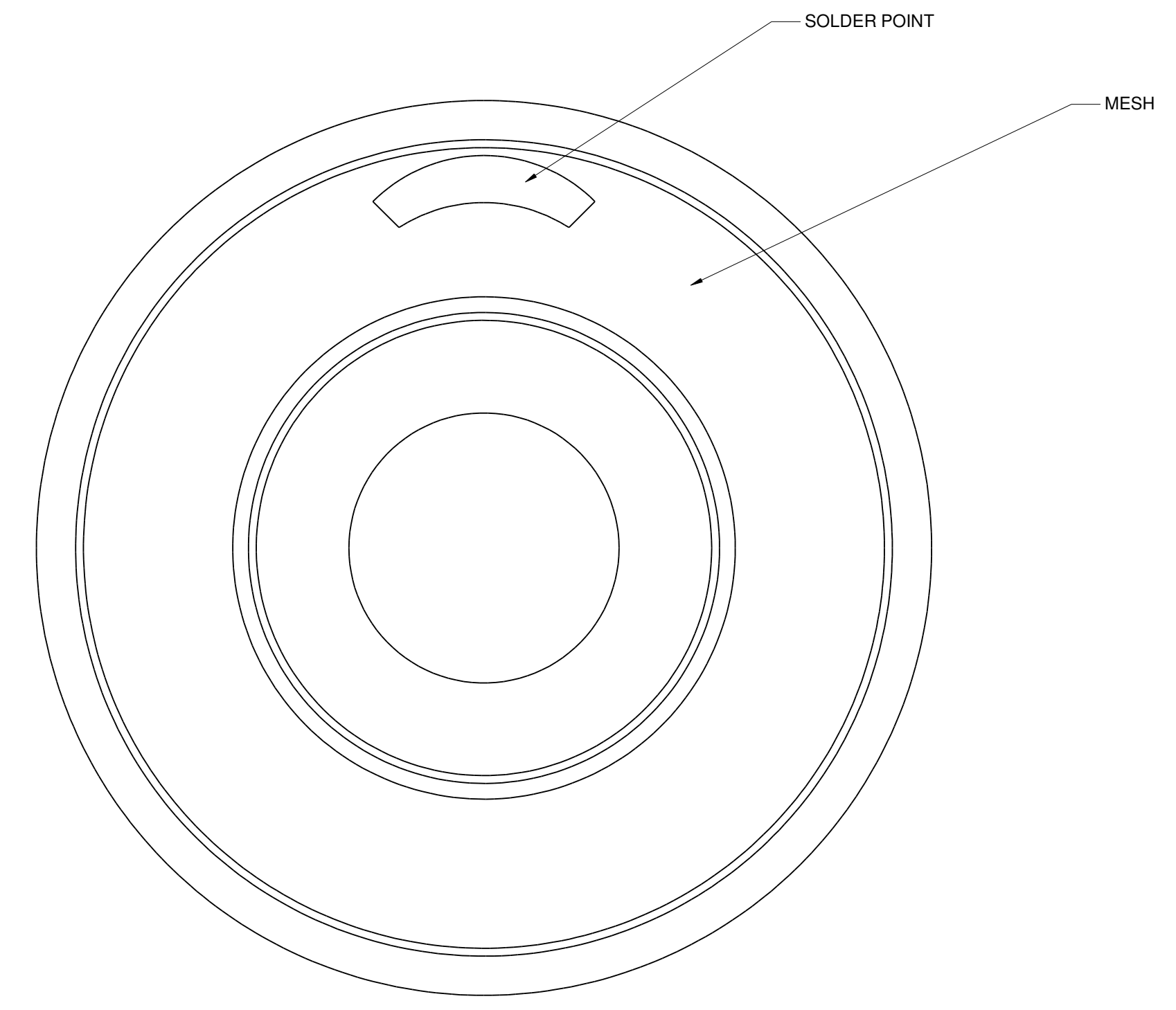


REVISIONS				
ZONE	REV	DESCRIPTION	DATE	APPROVED



No.	Part Name	Material	Quantity
1	PCB	FE-4	1
2	Frame	SPCC	1
3	Magnet	Nd Fe B	1
4	Plate	SPCC	1
5	Voice Coil	Polyurethane Enamelled Wire	1
6	Diaphragm	PET	1
7	Gasket	Paper	1
8	Silk Screen	Adhesive	1



ALL TOLERANCES +/- .5MM UNLESS NOTED

SIZE	FSCM NO.	DWG NO.	REV
D		S-5708	
SCALE	1:1	SHEET	1 OF 1