



soberton inc.

WATERPROOF SPEAKER UNIT

Acoustic Product Specification

Product Number: WSP-4023Y



Release | Revision: A/2018

CONTENTS

This document contains the technical specifications for waterproof speaker.

Page 1

Speaker Specification

Page 2

Measuring Circuit

Typical Frequency Response Curve

Page 3

Dimensions

Speaker Specification

Item	Specification	Testing Condition
Voice Coil Impedance	4Ω ±15%	
Resonant Frequency	230±20%Hz	
Output S.P.L.	79±2dB Average @1.0, 1.2, 1.5, 2.0 KHz	At 1.0m/1.0W
Frequency Response	F0 ~ 20KHz	-10dB
Rated Input Power	3.0 W	
Max Input Power	5.0 W	
Operation	Must be normal	Program source 3.0 W
Noise	Must be normal	Sine wave 3.4 V
Heat Test	Meet items 8 & 9 after test	±55±2°C 16 hours
Humidity Test	Meet items 8 & 9 after test	±40±2°C 90~95%RH 48 hours
Load Test	Meet items 8 & 9 after test	3.0 W 100 hours
Operation Temperature	-20°C ~ +50°C	
Storage Temperature	-25°C ~ +70°C	
Net Weight	28.5g	
Polarity	When a positive DC current is applied to the terminal marked(+), the diaphragm moves forward.	
Dimensions	Ø40.3 x H23.0mm	Solder Pads
IP Level	IP65	



soberton inc.

WATERPROOF SPEAKER UNIT

Acoustic Product Specification

Product Number: WSP-4023Y



Release | Revision: A/2018

CONTENTS

This document contains the technical specifications for waterproof speaker.

Page 1

Speaker Specification

Page 2

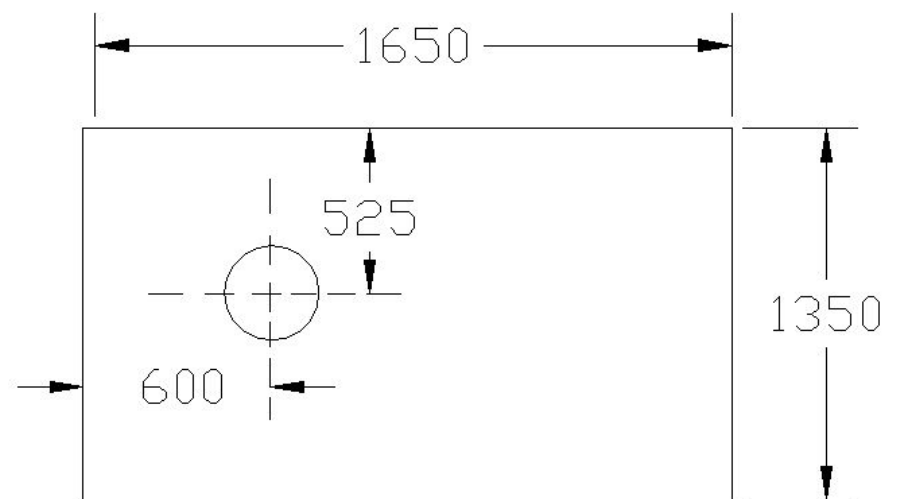
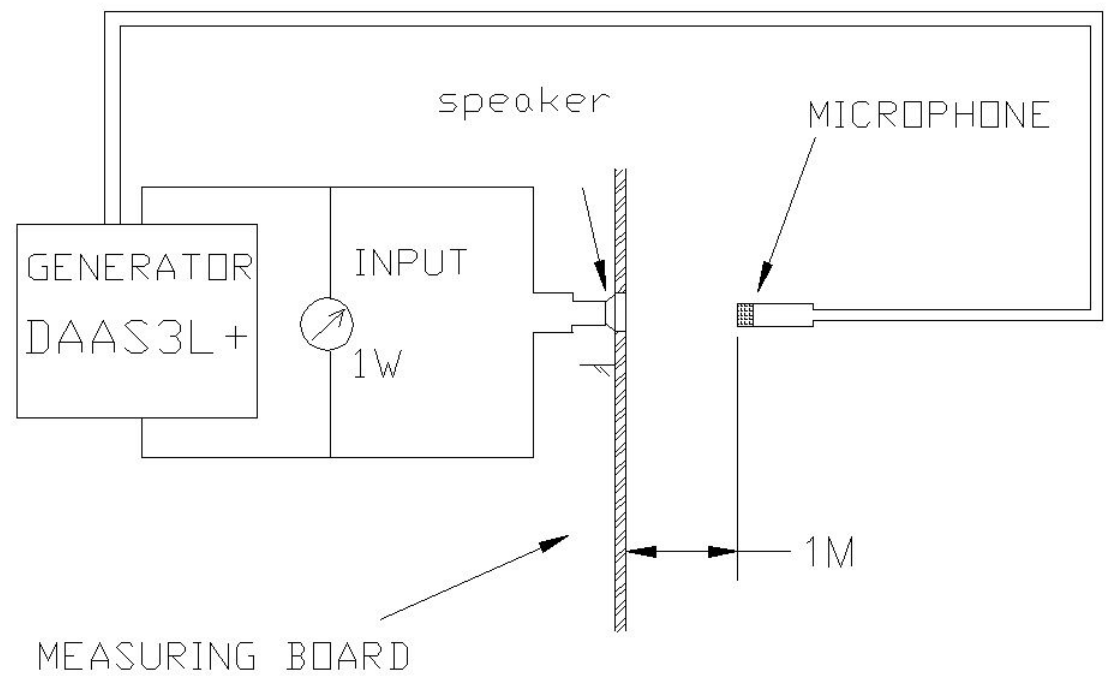
Measuring Circuit

Typical Frequency Response Curve

Page 3

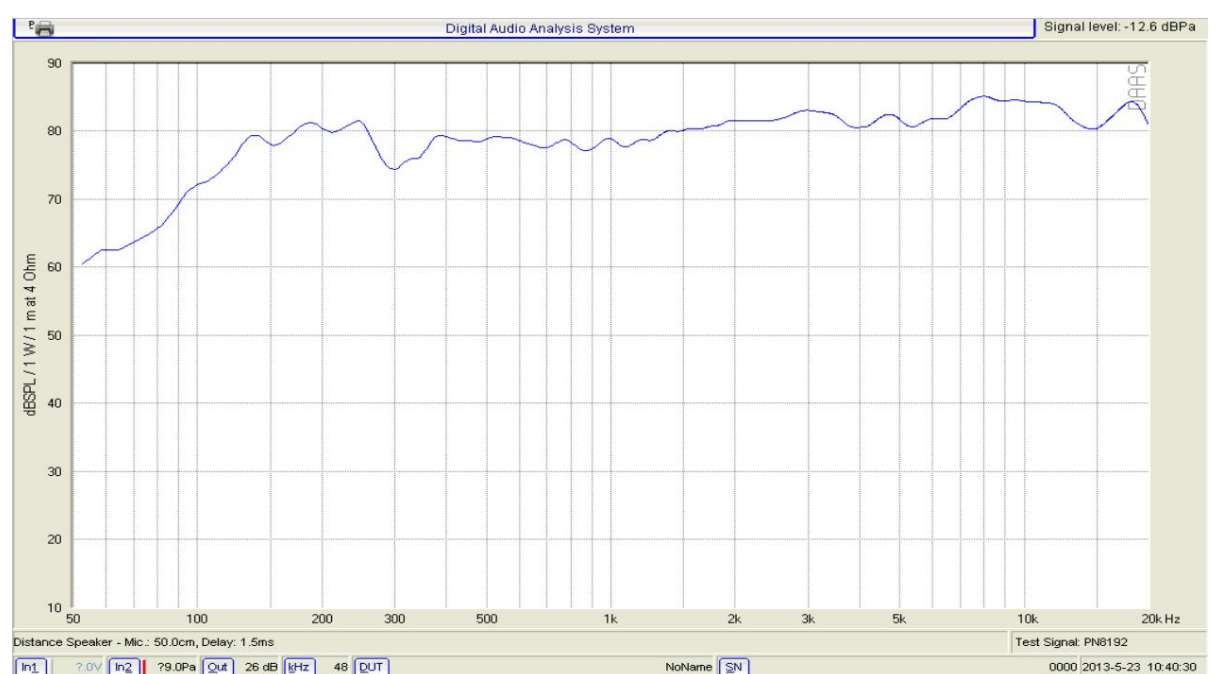
Dimensions

Measuring Circuit



MEASUREMENT

Typical Frequency Response Curve





soberton inc.

WATERPROOF SPEAKER UNIT

Acoustic Product Specification

Product Number: WSP-4023Y



Release | Revision: A/2018

CONTENTS

This document contains the technical specifications for waterproof speaker.

Page 1

Speaker Specification

Page 2

Measuring Circuit

Typical Frequency Response Curve

Page 3

Dimensions

Dimensions

Tolerance: $\pm 0.5\text{mm}$

