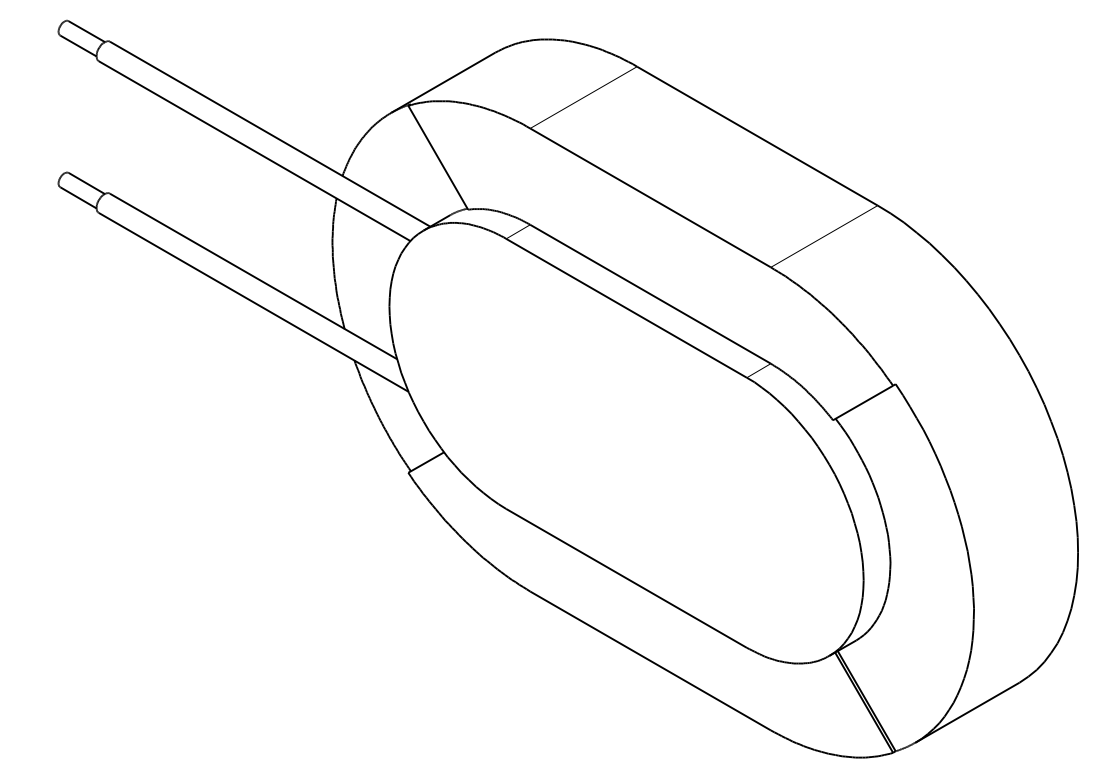
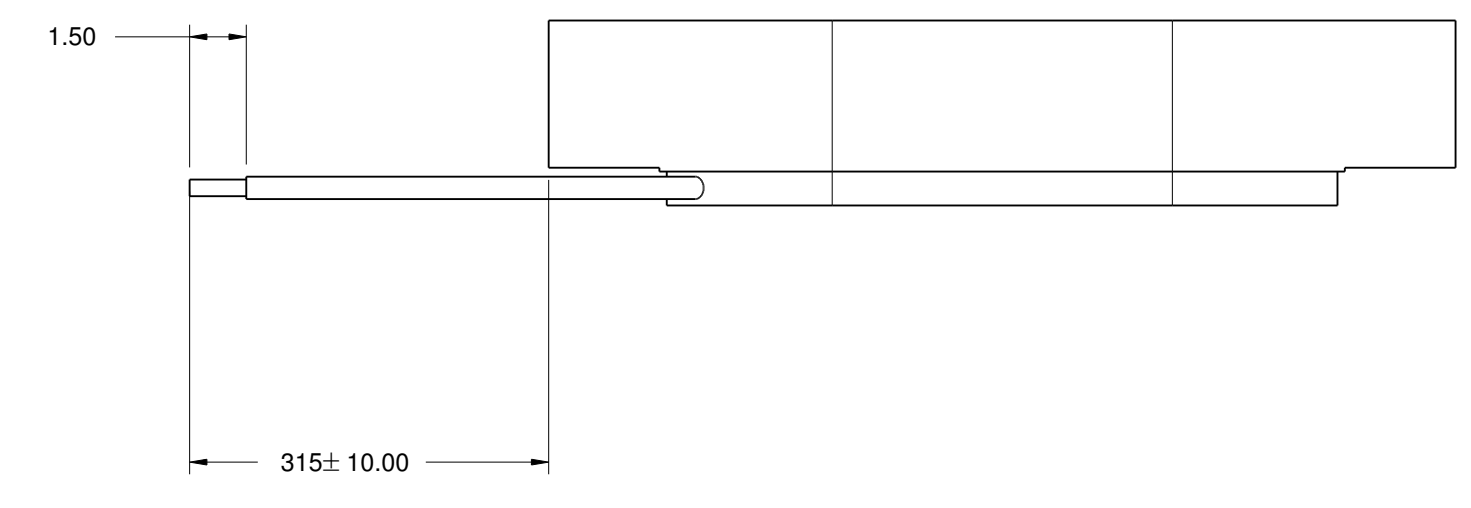
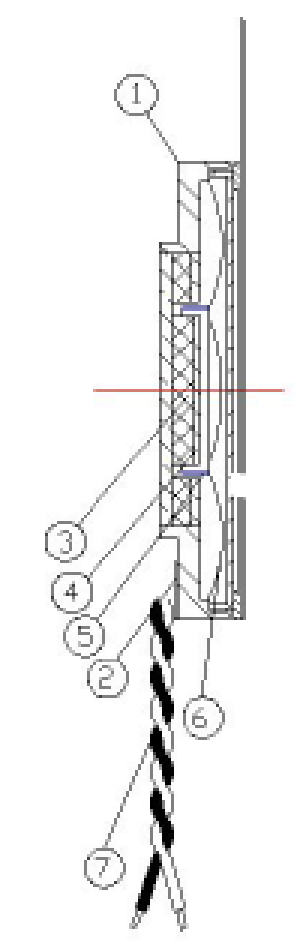
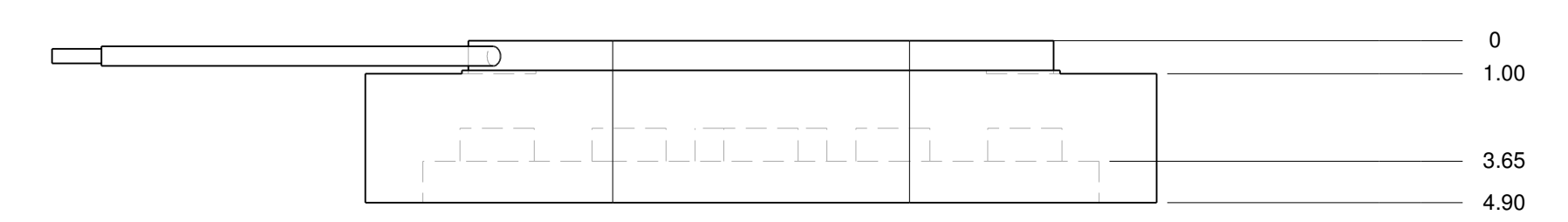
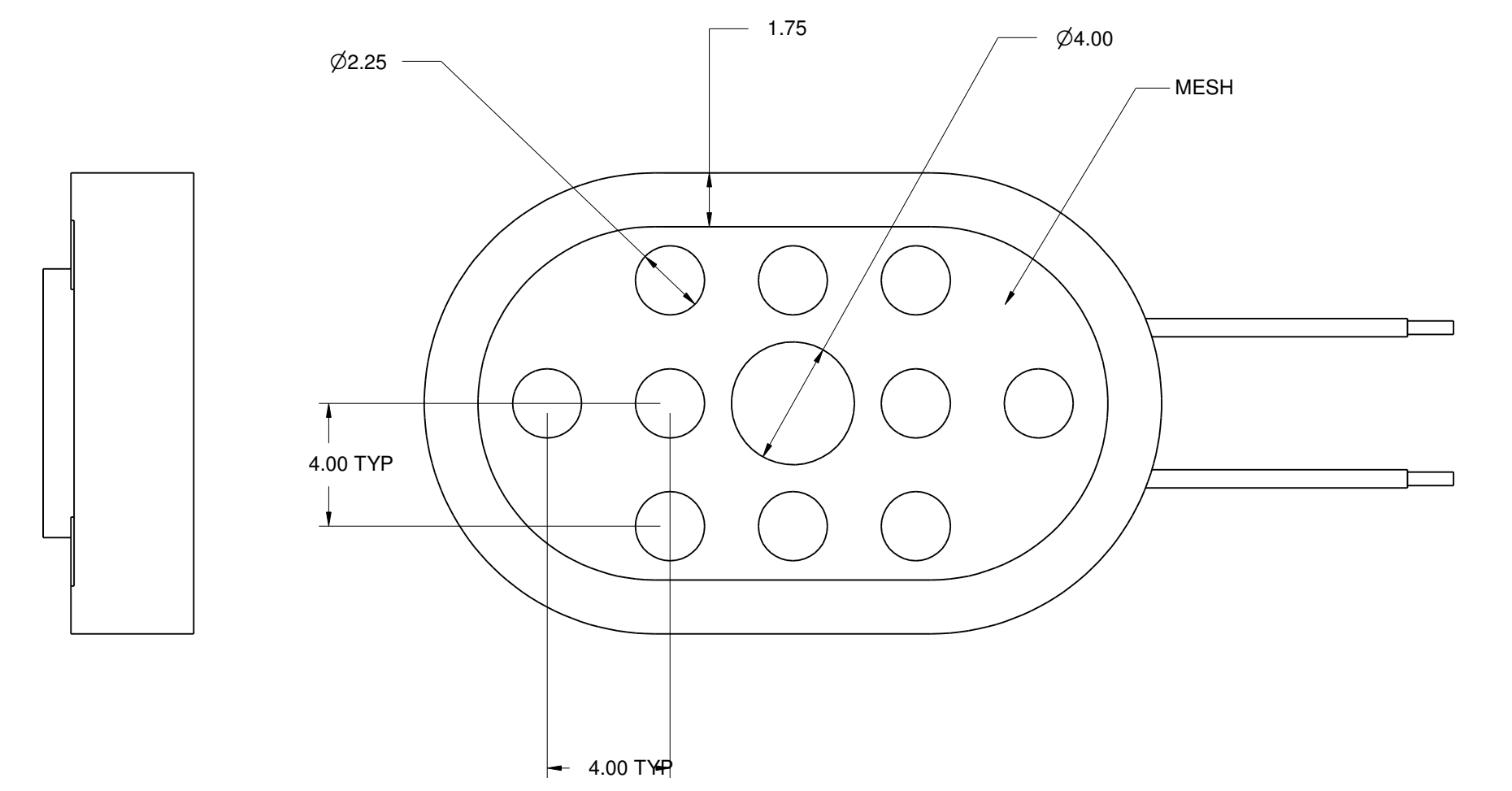
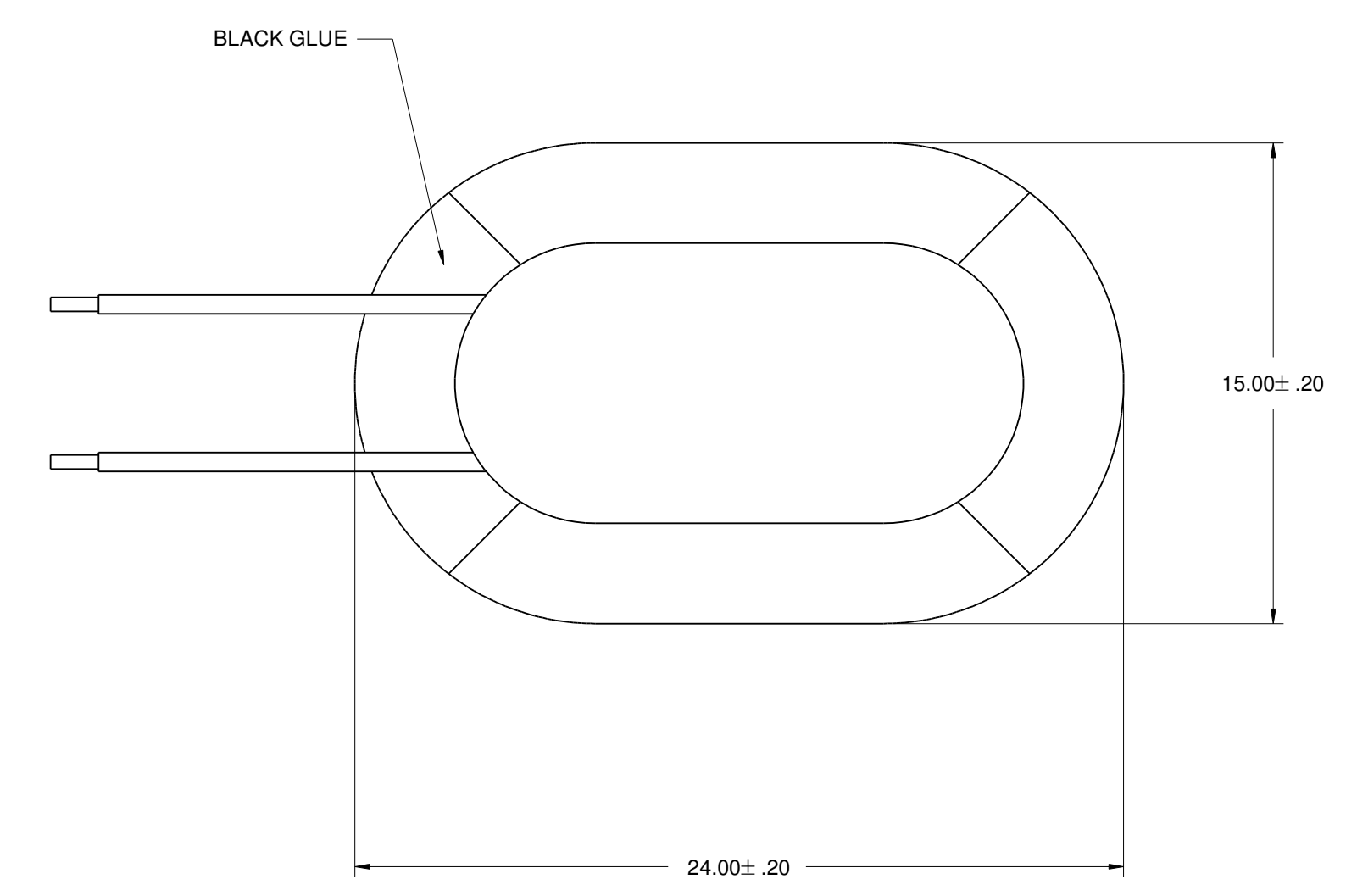


REVISIONS				
ZONE	REV	DESCRIPTION	DATE	APPROVED



No.	Part Name	Material	Quantity
1	Frame	ABS	1
2	PCB Terminal	FR-4	1
3	Magnet	NdFeB	1
4	Plate	SPCC	1
5	Voice Coil	Cu	1
6	Diaphragm	PEN	1
7	Wire (315mm)	UL1571 / AWG32#	2



ALL TOLERANCES +/- .5MM UNLESS NOTED

SIZE	FSCM NO.	DWG NO.	REV
D		WSPH-2415	
SCALE	1:1	SHEET	1 OF 1