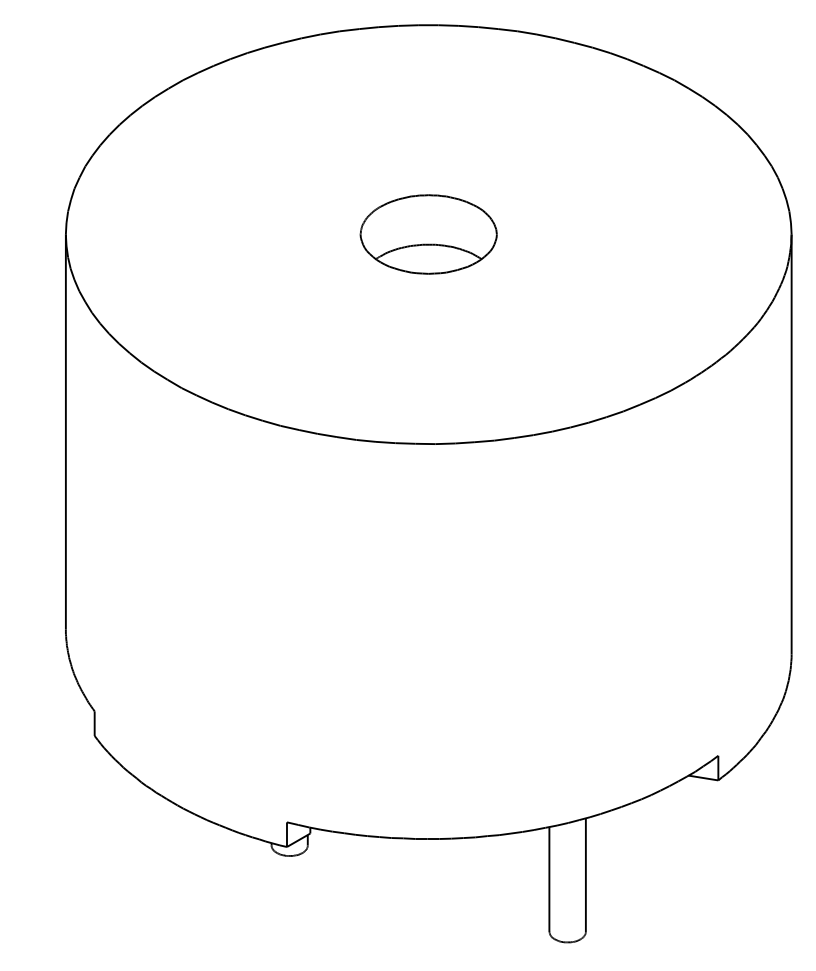
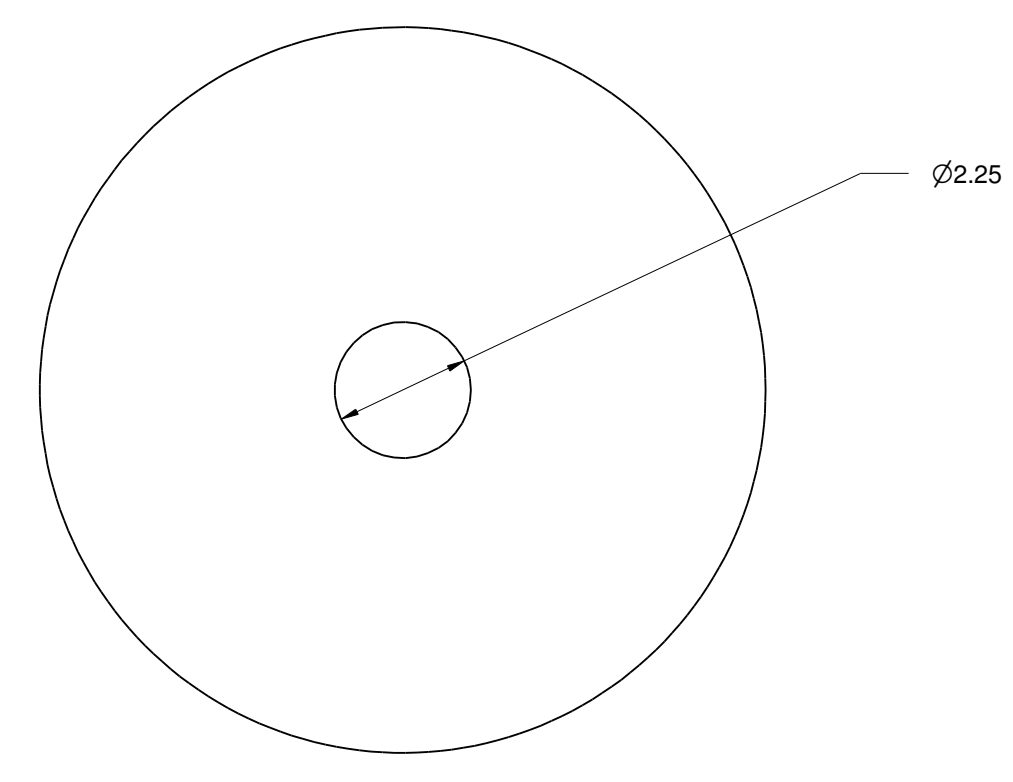
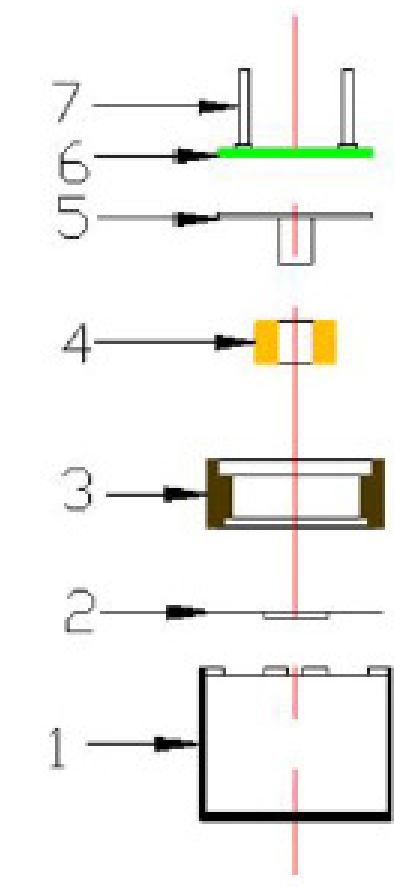
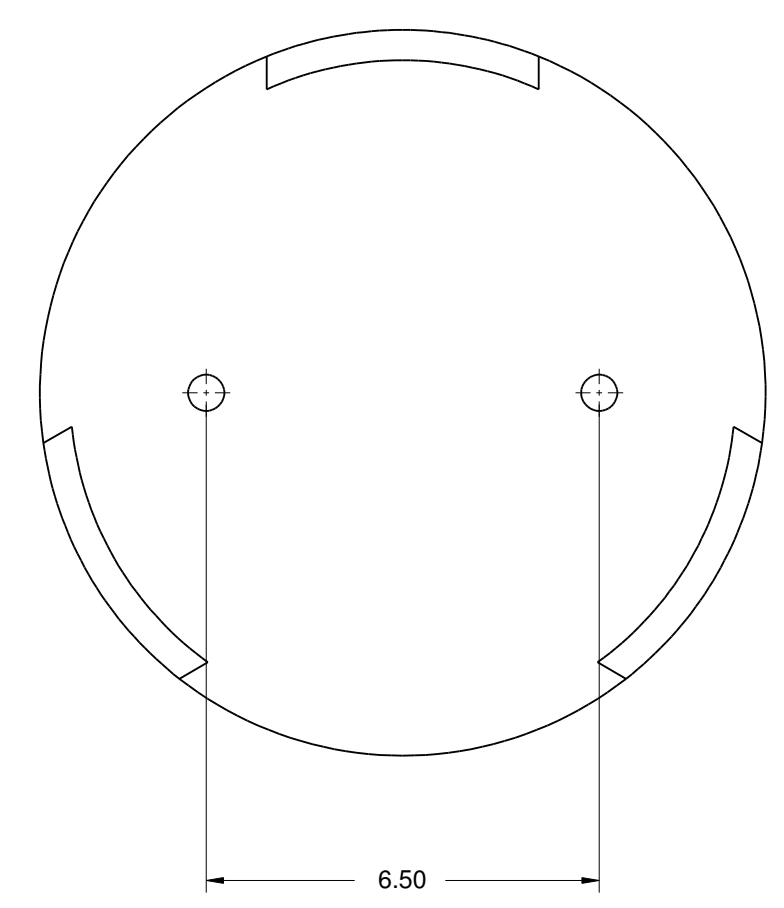
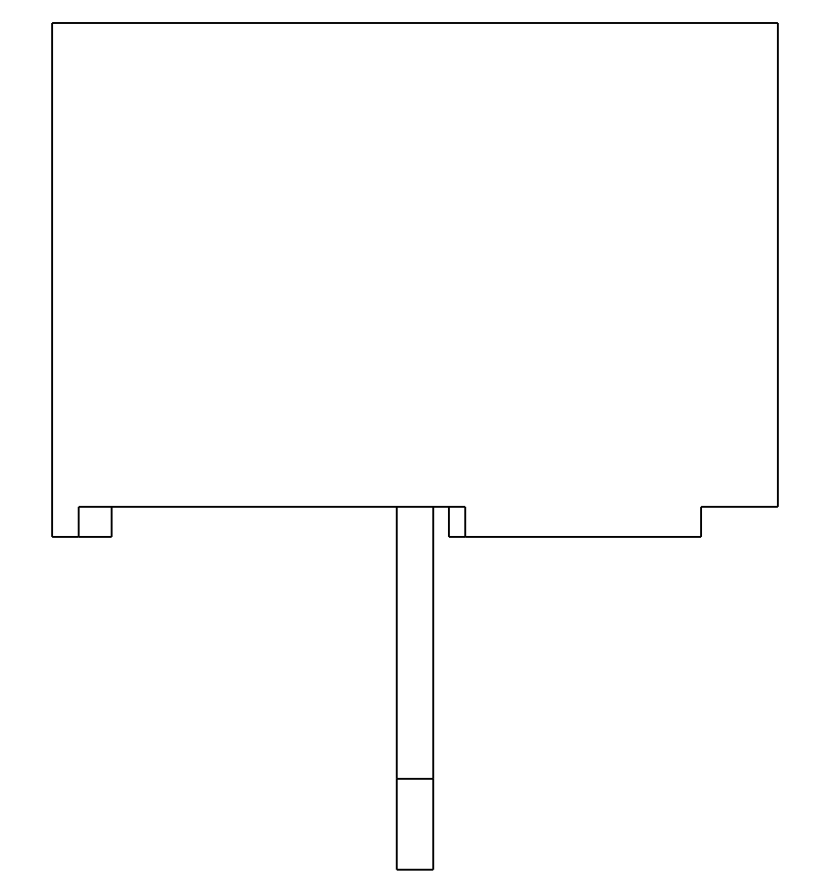
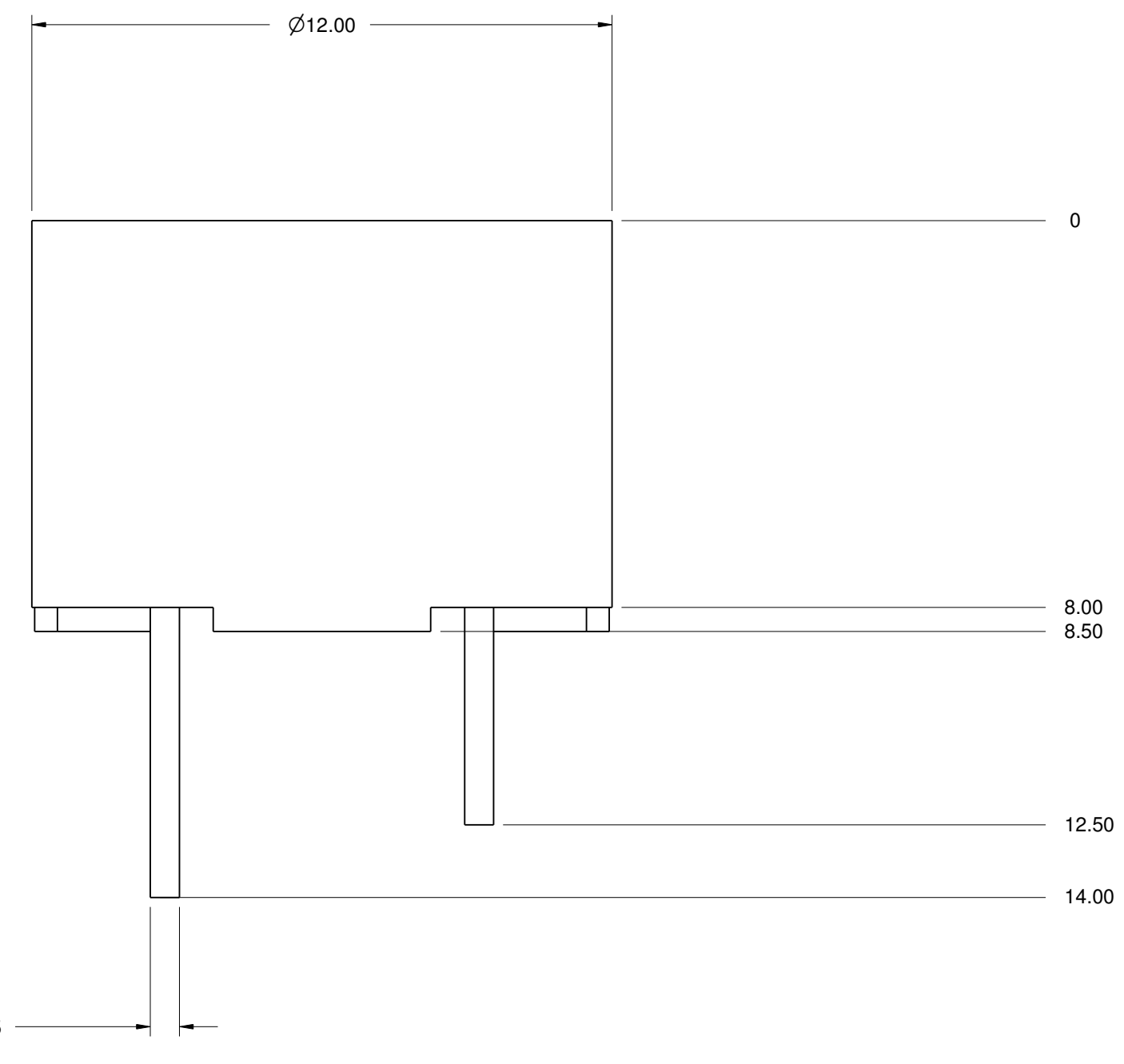


REVISIONS				
ZONE	REV	DESCRIPTION	DATE	APPROVED



No.	Part Name	Material	Quantity
1	Cover	PBT	1
2	Diaphragm	Iron	1
3	Magnet	Nylon + Iron	1
4	Coil	Copper	1
5	Core	Iron	1
6	PCB	Epoxy glass fiber cloth + Copper	1
7	PIN	Copper	2



ALL TOLERANCES +/- .5MM UNLESS NOTED

SIZE	FSCM NO.	DWG NO.	REV
D		WT-1212	
SCALE	1:1	SHEET	1 OF 1