

2

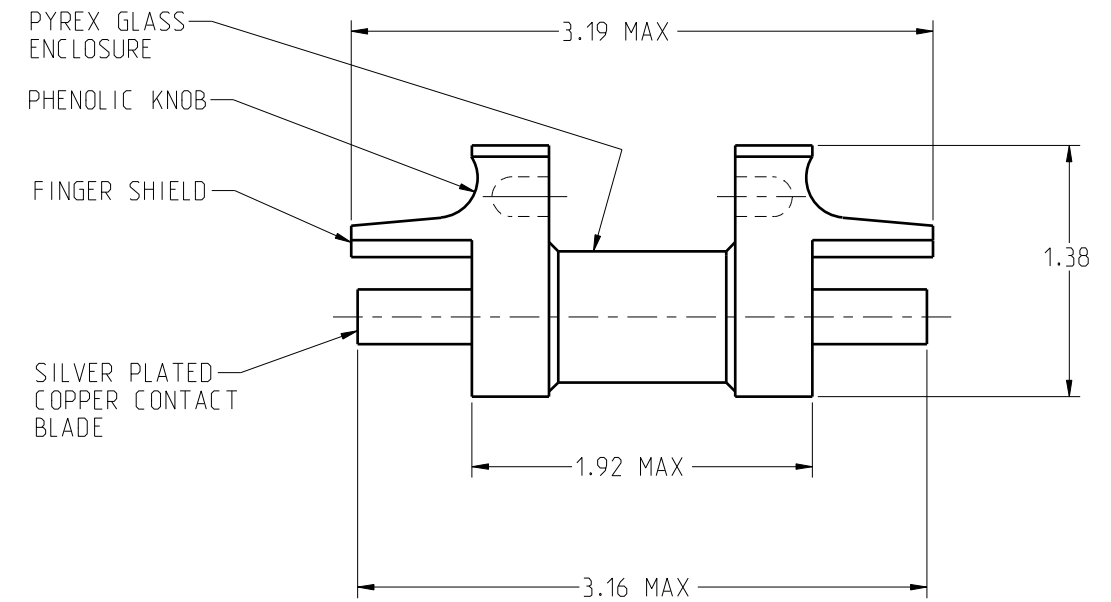
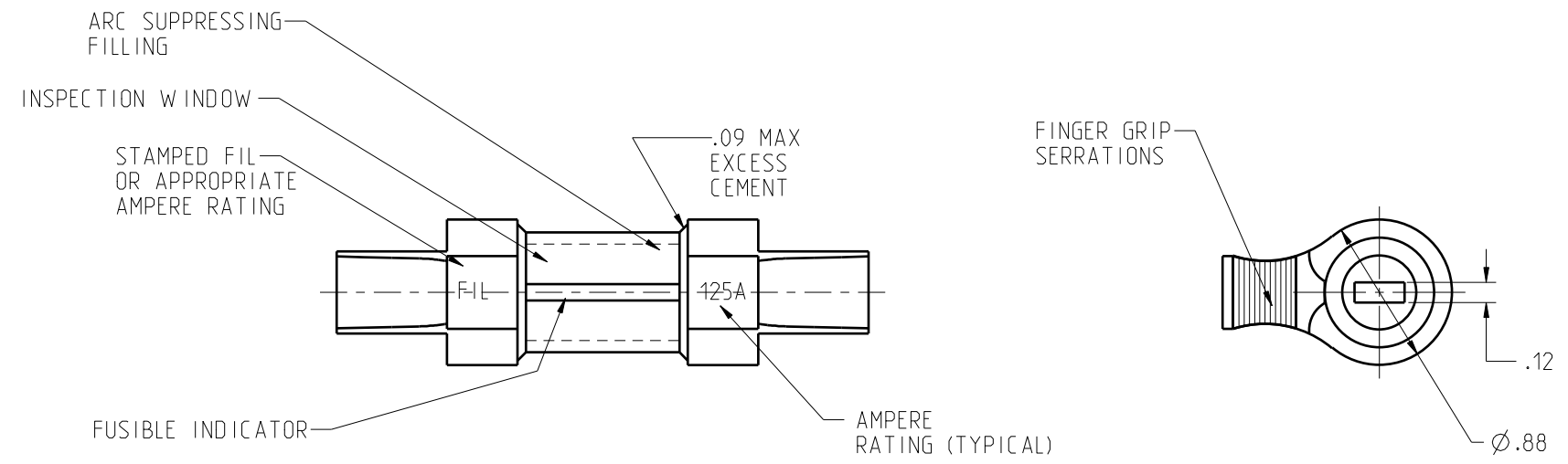
1

DWG. NO.
SA20635

APPLICATION:
120/208 VOLT 400 CYCLE
ALTERNATING CURRENT

REFERENCES:
LIMITER BASE F3H3 - SC20636
LIMITER ASS'Y - FC21634

MATERIAL:
AS NOTED.



THIS DRAWING IS A CONTROLLED DOCUMENT FOR SOURIAU USA, INC. IT IS SUBJECT TO CHANGE WITHOUT NOTIFICATION. CONTACT THE DOCUMENT CONTROL CENTER FOR THE LATEST REVISION.

THE INFORMATION CONTAINED IN THIS DRAWING IS CONFIDENTIAL AND MAY NOT BE DISCLOSED WITHOUT WRITTEN CONSENT FROM SOURIAU USA, INC.

B

A

REV	DESCRIPTION	BY	CHKD	DATE	DATE
K	REVISED PER ECN 10894	RKD	SDH	07-07-09	07-07-09
J	REVISED PER ECN10186	GRB	FLR	03-06-07	03-06-07
8	ADDED CORE HOLE PER ECW 1410	SE	CEB	8-12-83	8-12-83
7	DWG REACTIVATED SEE REV. REF PRINT ECC3817	LH	PP	12-15-79	12-15-79
6	OBSOLETE PER ECC3484	LH	SFP	1-24-78	1-24-78
5	REDRAWN WITHOUT CHANGE	BB	CRS	11-14-60	11-14-60

AMPERE RATING	CATALOG NUMBER
80	FIL80
100	FIL100
125	FIL125

LINEAR MEASURE: $\frac{INCH}{mm}$ INCH [mm]

THIRD ANGLE PROJECTION

TOLERANCES UNLESS OTHERWISE SPECIFIED

No. OF PLACES	INCH [mm]
ONE PLACE	±.1 [±.3]
TWO PLACES	±0.02 [±.5]
THREE PLACES	±0.010 [±.25]

ANGLES ±1°

DRAWING TITLE
LIMITER AIRCRAFT FUSE

CAT NO. **FILL --- (SEE TABLE)**

CAGE NO: 09922 SIZE: B

CUSTOMER

INTERPRET THIS DRAWING IN ACCORDANCE WITH ASME Y14.5M - 1994.

SOURIAU
Connection Technology
www.souriau.com

APPROVAL	DRAWN:	DATE
	GRB	03-06-07
	FLR	03-06-07
	GRB	03-06-07
	DWH	03-06-07
	DK	03-06-07

DRAWING SCALE: 1:1

DRAWING NO. SA20635 REV K

1 OF 1

2

1

PRO-E