

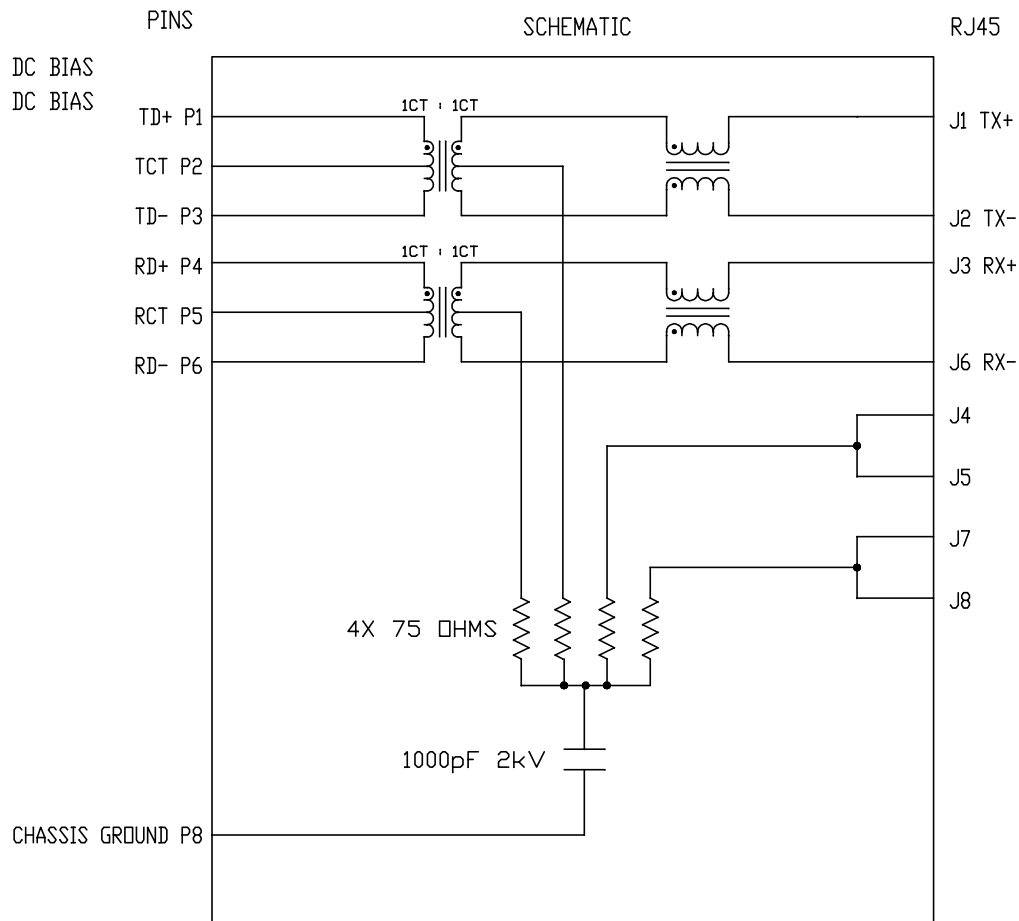
THE INFORMATION CONTAINED HEREIN IS CONSIDERED "PROPRIETARY" TO BEL FUSE INC. AND SHALL NOT BE COPIED, REPRODUCED OR DISCLOSED WITHOUT THE WRITTEN APPROVAL OF BEL FUSE INC.

RoHS



ELECTRICAL CHARACTERISTICS @ 25°C

1.0 INDUCTANCE:	
(P6-P4)	: 350uH MIN. @ 0.1V, 100KHz, 8mA DC BIAS
(P3-P1)	: 350uH MIN. @ 0.1V, 100KHz, 8mA DC BIAS
2.0 TURNS RATIO:	
(P6-P4):(J6-J3)	: 1CT : 1CT ± 3%
(P3-P1):(J2-J1)	: 1CT : 1CT ± 3%
3.0 DC RESISTANCE:	
(J6-J3)=(J2-J1)	: 1.5 OHMS MAX.
4.0 INSERTION LOSS:	
100kHz TO 100MHz	: -1.1dB TYP.
5.0 RETURN LOSS: 100 OHMS SOURCE APPLIED TO J-PINS	
1MHz TO 30MHz	: -18dB MIN.
60MHz TO 80MHz	: -12dB MIN.
NOTE: 100 OHMS CONNECTED TO (P6-P4) OR (P1-P3)	
6.0 CROSS TALK:	
1MHz TO 100MHz	: -40dB TYP.
7.0 COMMON TO COMMON MODE ATTENUATION:	
30MHz TO 100MHz	: -35dB TYP.
8.0 RISE TIME:	
OUTPUT VOLTAGE=1 V PEAK	: 3.0 nS MAX
PULSE WIDTH=112ns	: 3.0 nS MAX
9.0 VOLTAGE WITHSTAND:	
(J1,J2) TO (P1,P3)	: 1500Vrms
(J3,J6) TO (P4,P6)	: 1500Vrms
10.0 OPERATING TEMPERATURE RANGE:-40°C TO 85°C	



NOTES:
1.0 PINS WITHOUT ELECTRICAL CONNECTION ARE OMITTED.

REV. : B PAGE : 2

ORIGINATED BY
CHOW WANCHUNG
DATE 2018-12-04

DRAWN BY
XIE YIMING
DATE 2018-12-04

TITLE
MagJack®
10/100BT
VERTICAL, SHIELDED

PART NO. / DRAWING NO.
SI-46014-F

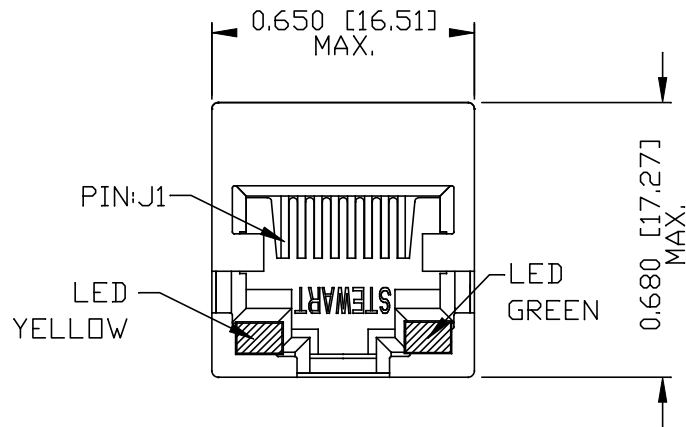
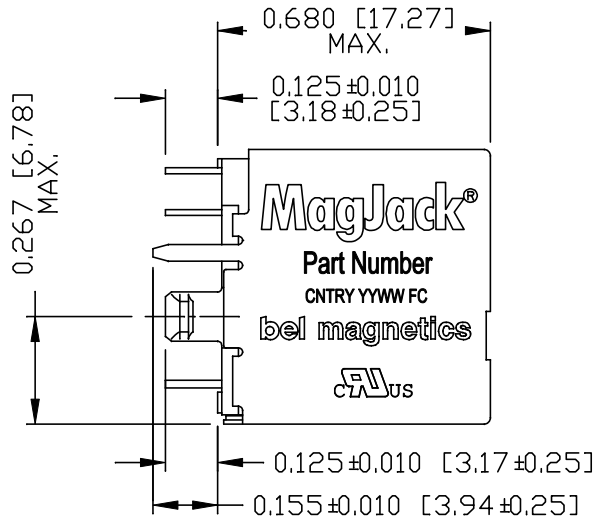
FILE NAME
SI-46014-F_B.DWG

STANDARD DIM. TOL. IN INCH	[] METRIC DIM. AS REF.
.X	UNIT : INCH [mm]
.XX	SCALE : N/A
.XXX	SIZE : A4





THE INFORMATION CONTAINED HEREIN IS CONSIDERED "PROPRIETARY" TO BEL FUSE INC. AND SHALL NOT BE COPIED, REPRODUCED OR DISCLOSED WITHOUT THE WRITTEN APPROVAL OF BEL FUSE INC.



NOTES:

1. CONNECTOR MATERIALS:

HOUSING: THERMOPLASTIC UL94 V-0

CONTACT/SHIELD: COPPER ALLOY

SHIELD PLATING: NICKEL OR TIN

CONTACT PLATING: SELECTIVE GOLD,

50 MICRO-INCHES MIN. IN CONTACT AREA.

2. PIN NOT ELECTRICALLY CONNECTED MAYBE OMITTED.

SEE ELECTRICAL DRAWING FOR OMITTED PINS.

3. TOLERANCES COMPLY WITH F.C.C. DIMENSION REQUIREMENTS.

4. THE PRODUCT IS ROHS COMPLIANT.

cRus UL RECOGNIZED - FILE #E474585.

5. THE PART IS RECOMMENDED FOR WAVE SOLDERING.

THE SUGGESTED PEAK WAVE SOLDERING CONDITION IS 260°C MAX AND 10 SECONDS MAX.

REV. : B	PAGE : 3
----------	----------

ORIGINATED BY SANDY LIN	TITLE MagJack® 10/100BT VERTICAL, SHIELDED
DATE 2018-12-04	
DRAWN BY RUAN WENJUN	
DATE 2018-12-04	

PART NO. / DRAWING NO. SI-46014-F	STANDARD DIM. TOL. IN INCH	[] METRIC DIM. AS REF.
FILE NAME SI-46014-F_B.DWG		UNIT : INCH [mm]
		SCALE : N/A

	±0.005	⊕	SIZE : A4
--	--------	---	-----------



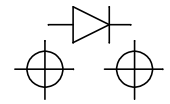


THE INFORMATION CONTAINED HEREIN IS CONSIDERED "PROPRIETARY" TO BEL FUSE INC. AND SHALL NOT BE COPIED, REPRODUCED OR DISCLOSED WITHOUT THE WRITTEN APPROVAL OF BEL FUSE INC.

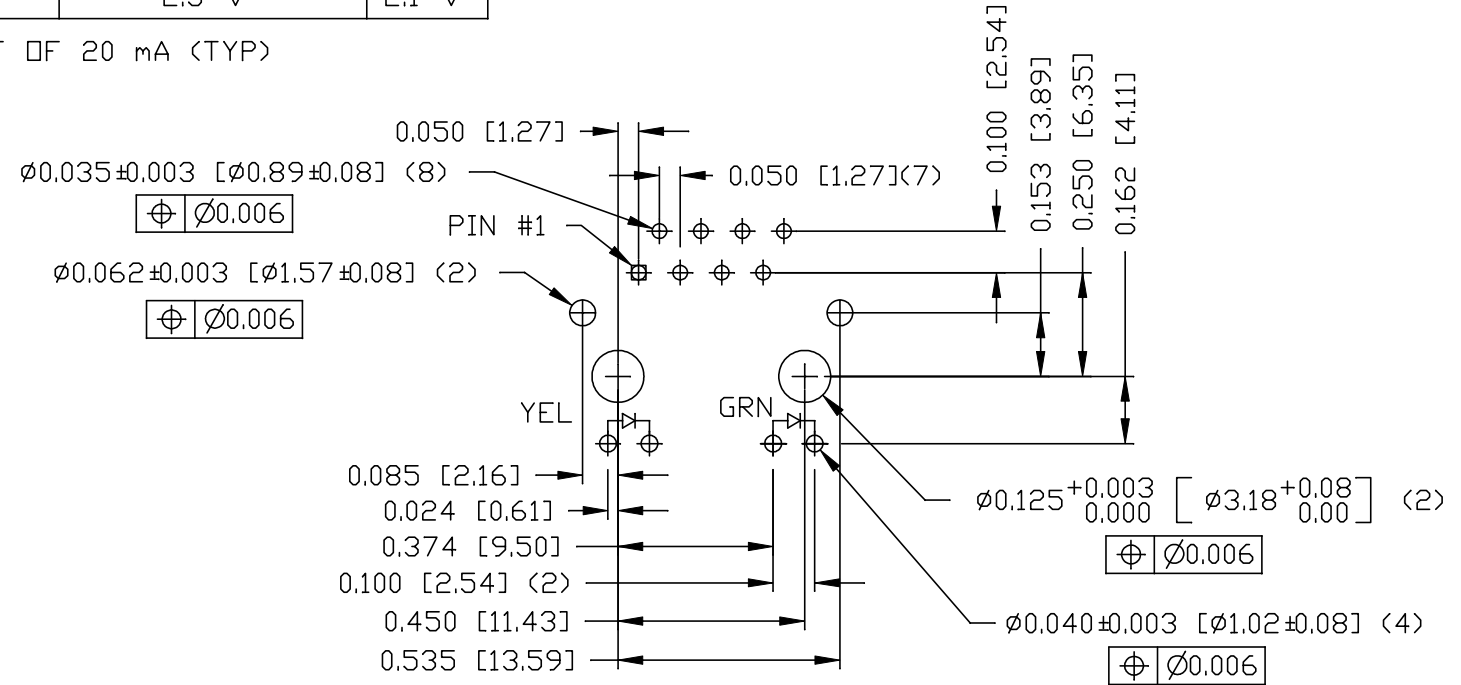
LED SPECIFICATION			
LED COLOR	WAVELENGTH	FORWARD V (MAX)	*(TYP)
GREEN	565 nm	2.5 V	2.2 V
YELLOW	590 nm	2.5 V	2.1 V

*WITH A FORWARD CURRENT OF 20 mA (TYP)

LED POLARITY
(ENLARGED VIEW)



SINGLE COLOR LED



P.C.B. RECOMMENDED HOLE LAYOUT
SEEN FROM COMPONENT SIDE

ALL CENTERLINE DIMENSIONS ARE BASIC.

REV. : B PAGE : 4

ORIGINATED BY
SANDY LIN
DATE 2018-12-04
DRAWN BY
RUAN WENJUN
DATE 2018-12-04

TITLE
MagJack®
10/100BT
VERTICAL, SHIELDED

PART NO. / DRAWING NO.
SI-46014-F
FILE NAME
SI-46014-F_B.DWG

STANDARD DIM. TOL. IN INCH	[] METRIC DIM. AS REF.
.X	UNIT : INCH [mm]
.XX	SCALE : N/A
.XXX	±0.005
	SIZE : A4

