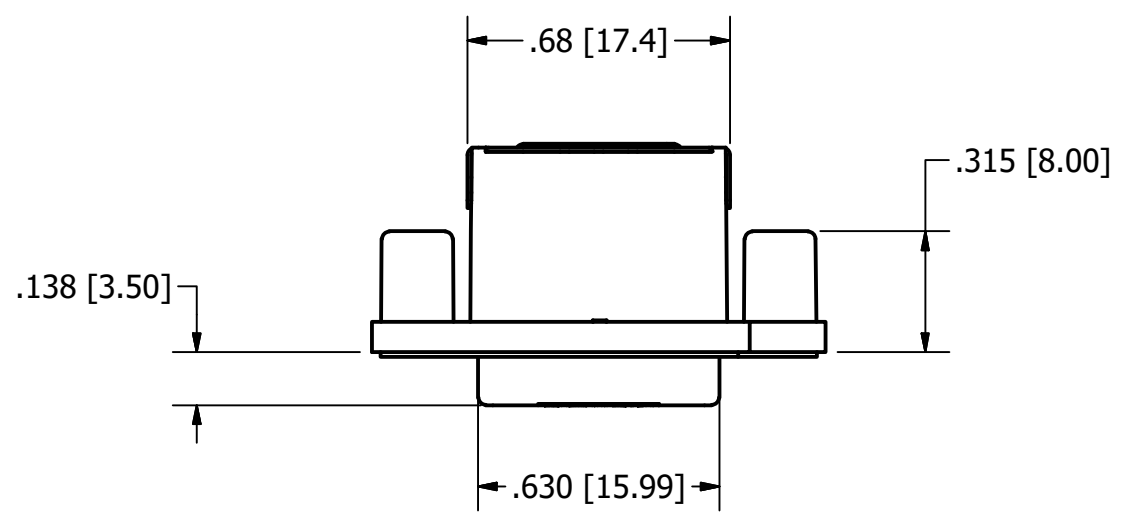
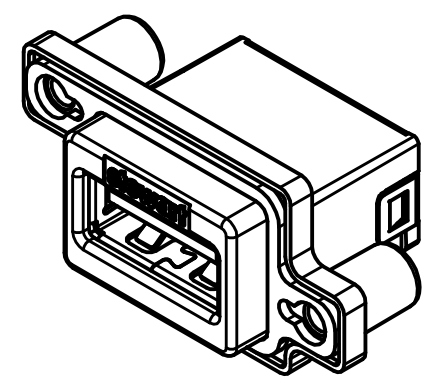
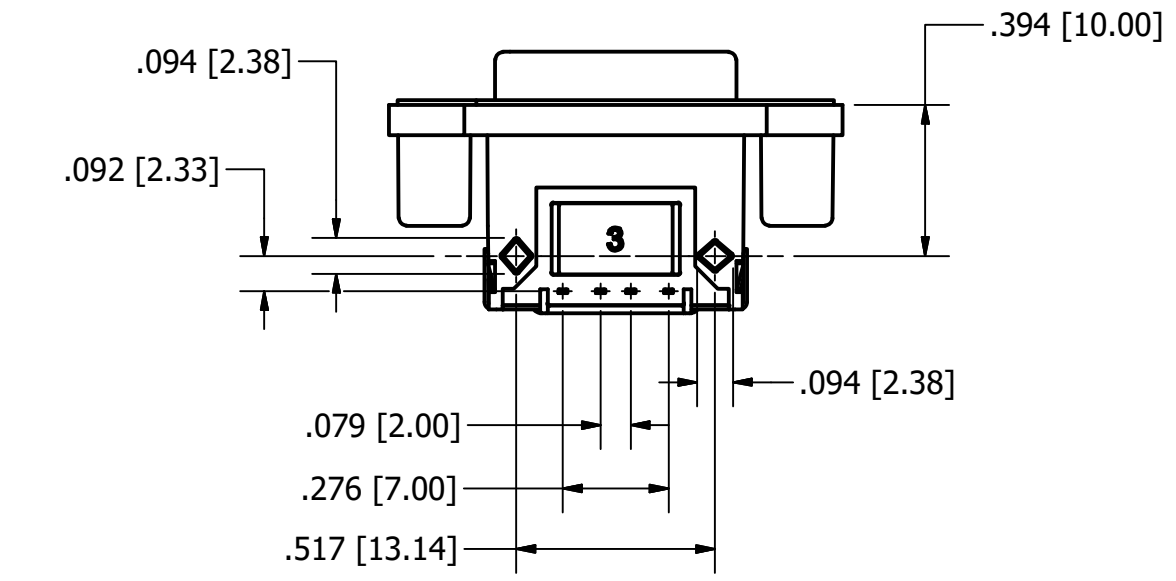
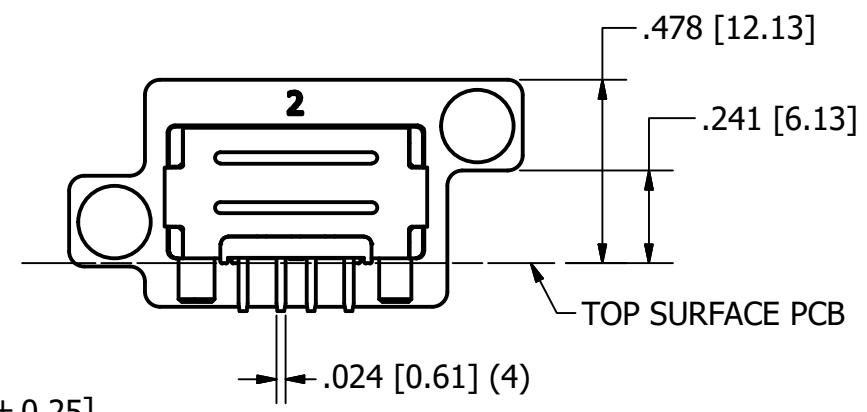
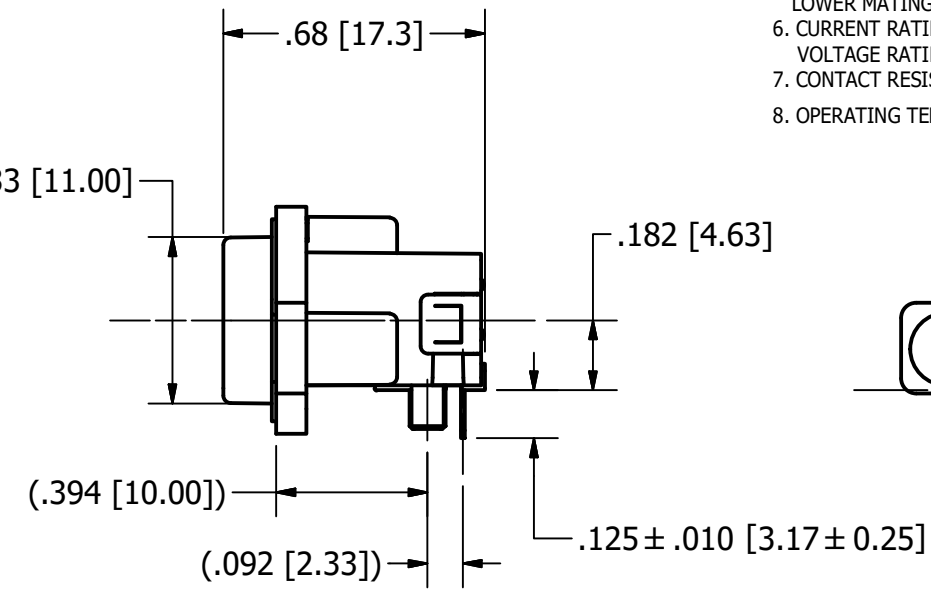
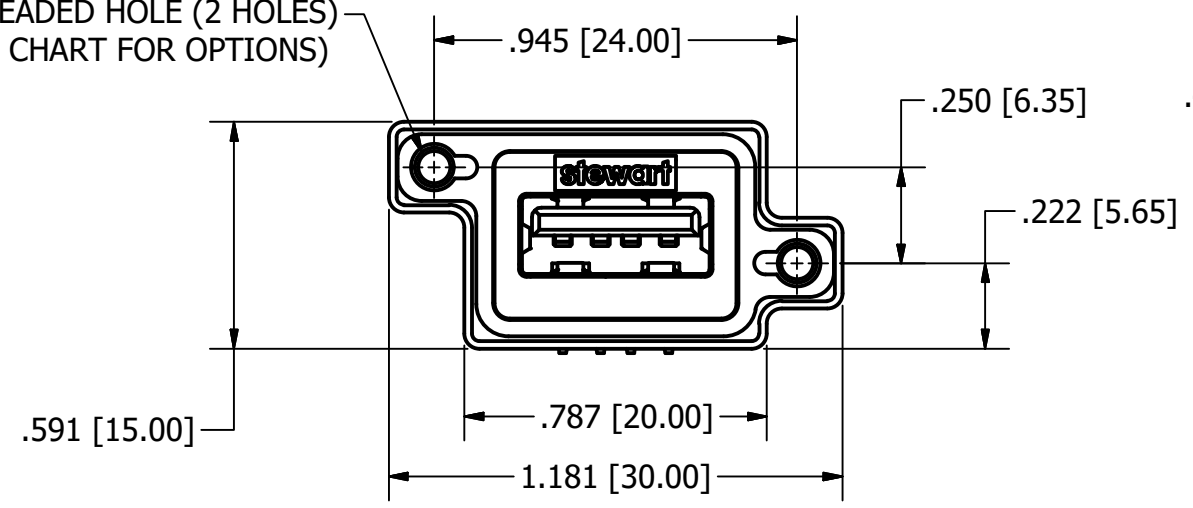


DATE	REV	ECN	APP'D BY
11/30/2018	A0		GWL
2/22/2019	A1	11348	GWL

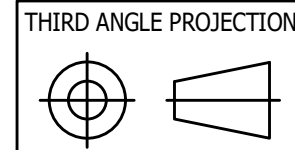
- NOTES:
- CONNECTOR MATERIALS:
HOUSING: HIGH TEMPERATURE THERMOPLASTIC UL94 V-0 BLACK
OUTER SHIELD: ZINC DIECAST, TIN PLATED
USB SHIELD: COPPER ALLOY, PLATING: NICKEL OR TIN
REAR SHEILD: STAINLESS STEEL
CONTACT MATERIAL: COPPER ALLOY,
CONTACT PLATING: SELECTIVE GOLD 30u" IN CONTACT AREA, TIN ON SOLDER TAILS
PANAL GASKET: SILICONE RUBBER
SILICONE SEALING COMPOUND IN REAR OF JACK
 - FOR PRODUCT SPECIFICATION SEE PR44-01
 - DIMENSIONS AND TOLERANCES COMPLY WITH USB 2.0 STANDARD.
 - ENVIRONMENTAL PERFORMANCE PER IEC 60529 CODE IP67 FOR CONNECTOR AND PANEL INTERFACE. REFER TO INSTRUCTION SHEET MN520001 FOR INSTALLATION GUIDELINES.
 - THE SUGGESTED PANEL OPENING IS INTENDED TO GIVE USER THE ABILITY TO HAVE REASONABLE JACK/PANEL CLEARANCES, YET MAINTAIN GROUNDING CAPABILITY. THESE VARIABLES CAN BE ADJUSTED IN EITHER DIRECTION BUT MAY CARRY SOME CONSEQUENCES IN THE FORM OF LOWER MATING FORCES OR TIGHTER ASSEMBLY TOLERANCES.
 - CURRENT RATING: 1.5 AMP AT 250V AC
VOLTAGE RATING: 30V
 - CONTACT RESISTANCE 30 mil ohms MAX
 - OPERATING TEMPERATURE: -40°C TO 85°C



"A" THREADED HOLE (2 HOLES)
(SEE CHART FOR OPTIONS)



PART NUMBER	"A" THREADED HOLE
SS-52200-001	#4-40 UNC THREAD
SS-52200-002	M3 X 0.5 THREAD



DO NOT SCALE DRAWING
DRAWING IS SUBJECT TO CHANGE WITHOUT NOTICE

DIMENSIONS: INCHES [METRIC]

UNLESS OTHERWISE SPECIFIED TOLERANCES ARE ±.005 [0.13] ANGLES ARE ± 1°

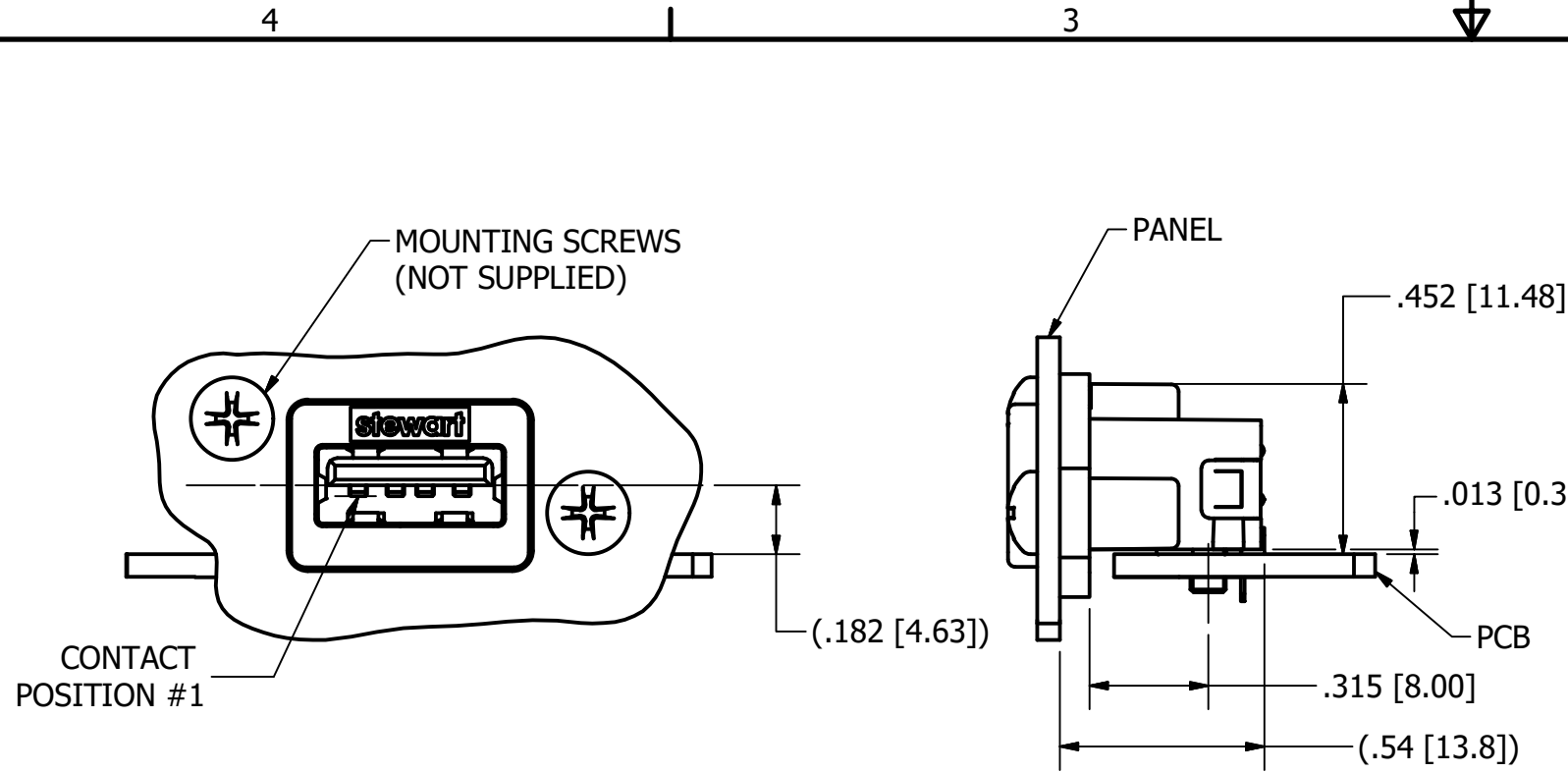
SHEET NO. 1 OF 2

TITLE: RIGHT ANGLE USB, IP67 SEAL JACK CONNECTOR	
DRN BY: G. LUCAS	DATE: 1/19/2018
APPD BY: D. Gutter	DATE: 12/3/2018
DWG NO: CT520007	REV: A1

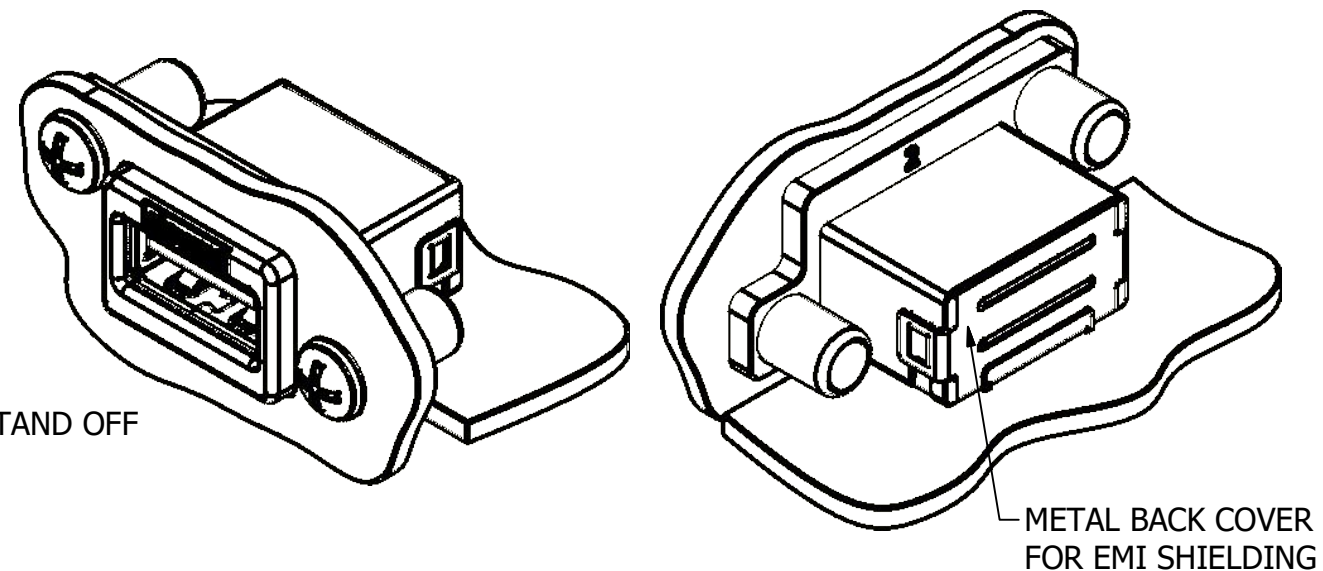


GEN CT

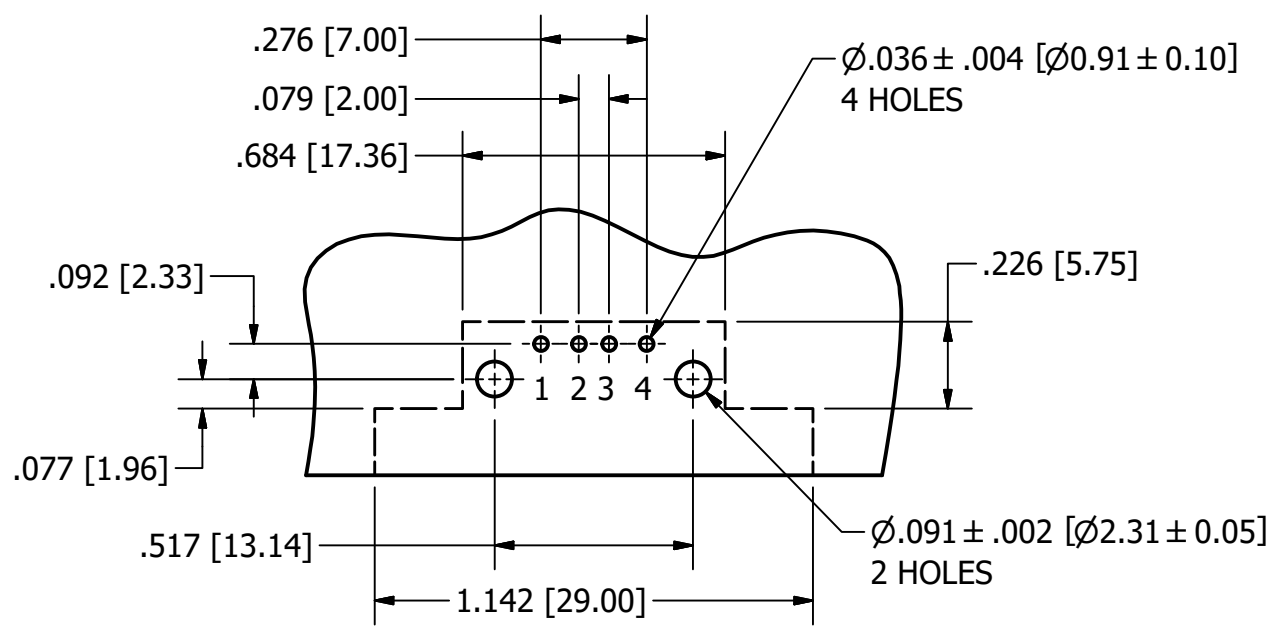
Inventor



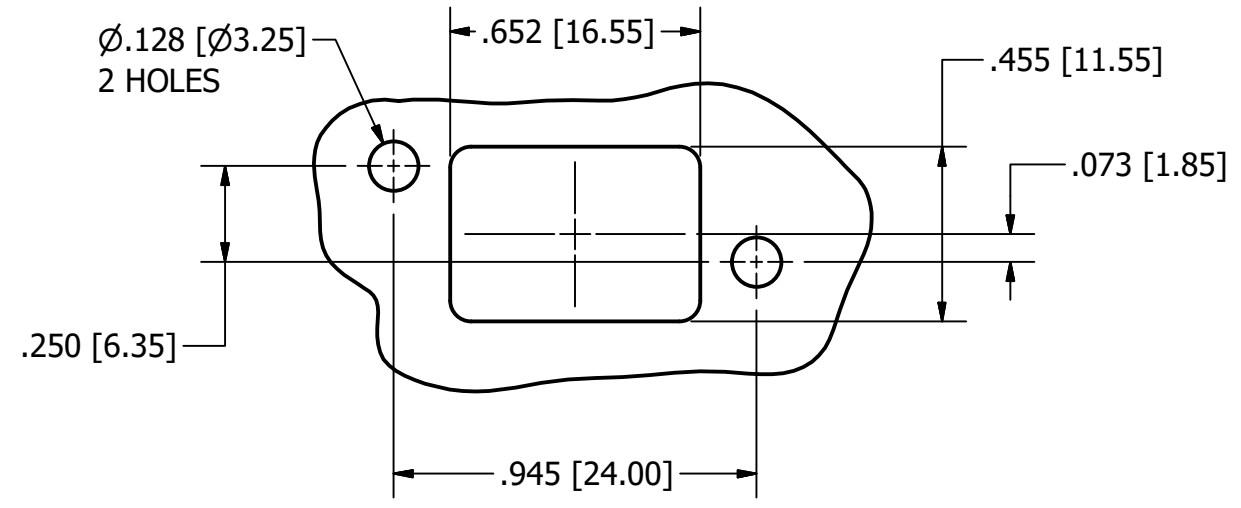
RECOMMENDED PANEL/PCB LAYOUT



METAL BACK COVER FOR EMI SHIELDING



**RECOMMENDED PCB LAYOUT
COMPONENT SIDE OF BOARD**



**RECOMMENDED PANEL CUTOUT
OUTSIDE VIEW OF PANEL**



GEN CT

THIRD ANGLE PROJECTION 	 stewart CONNECTOR a bel group	11118 Susquehanna Trail South Glen Rock, PA 17327-9199 (717) 235-7512 http://www.stewartconnector.com
DO NOT SCALE DRAWING DRAWING IS SUBJECT TO CHANGE WITHOUT NOTICE	TITLE: RIGHT ANGLE USB, IP67 SEAL JACK CONNECTOR	
DIMENSIONS: INCHES [METRIC]	THIS DRAWING AND THE SUBJECT MATTER SHOWN THEREON ARE CONFIDENTIAL AND THE PROPRIETARY PROPERTY OF STEWART CONNECTOR AND SHALL NOT BE REPRODUCED, COPIED, OR USED IN ANY MANNER WITHOUT WRITTEN CONSENT OF STEWART CONNECTOR. THE SUBJECT MATTER MAY BE PATENTED OR A PATENT MAY BE PENDING.	DRN BY: G. LUCAS DATE: 1/19/2018
UNLESS OTHERWISE SPECIFIED TOLERANCES ARE $\pm .005$ [0.13] ANGLES ARE $\pm 1^\circ$	SHEET NO. 2 OF 2	APPD BY: D. Gutter DATE: 12/3/2018
		DWG NO: CT520007 REV. A1

Inventor