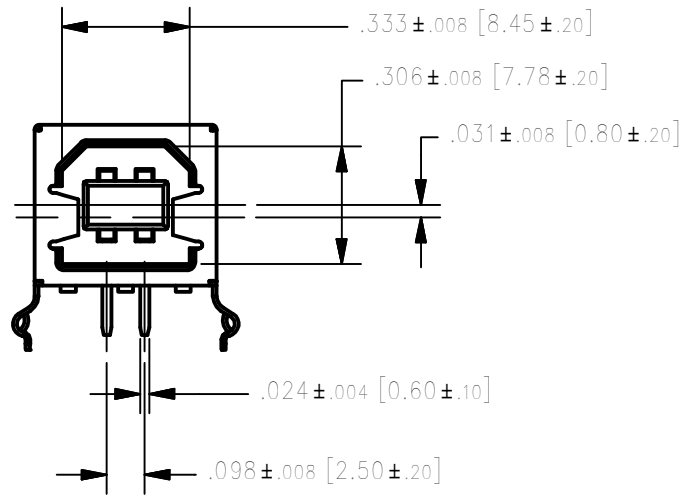
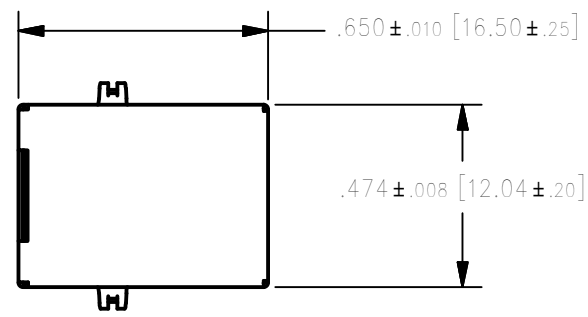
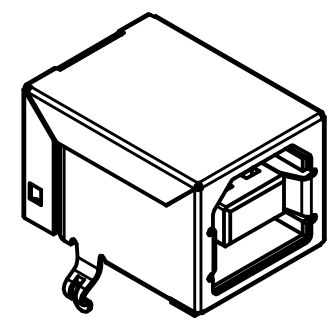
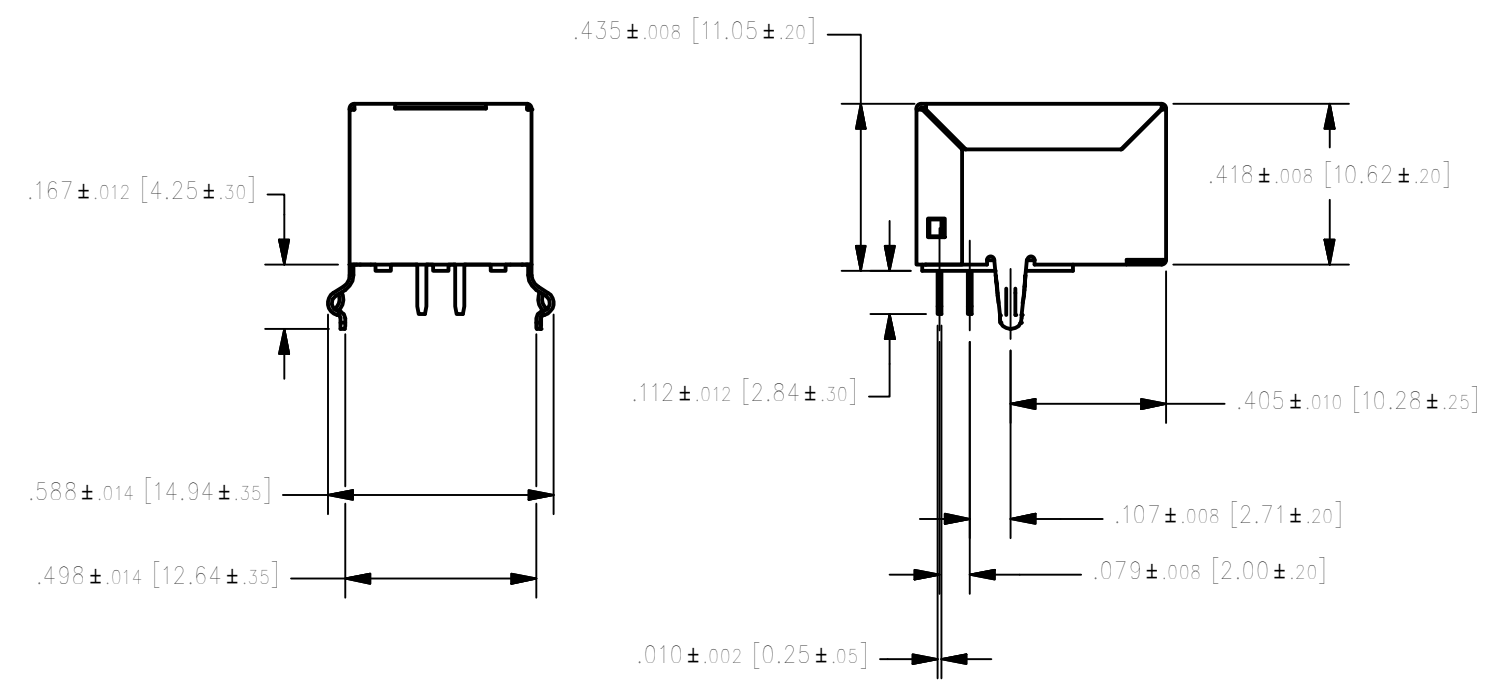


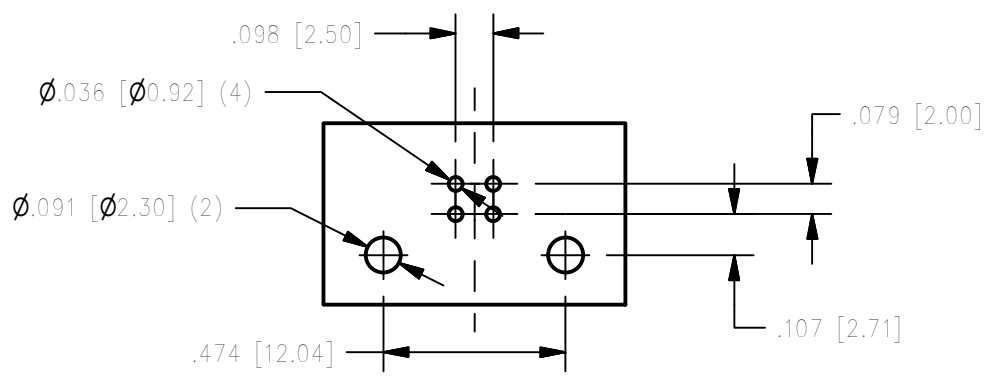
| DATE | REV | ECN | APP'D BY |
|---------|-----|-----|----------|
| 10/2/18 | A0 | | AB |



- NOTES:**
- Material
 - Hsg: LCP ; UL94V-0; Color: NATURAL
 - Contact: Copper Alloy,
 - Shell: Copper Alloy
 - Finish:
 - Contact: Nickel Plated; Au Plating On Contact Area
See Chart for Part Number;
TIN On Solder Tail.
 - Shell: Nickel Plating.
 - For Product specifications See PR044-01



| | |
|-----------------------------------|--------------|
| 30 MICRO-INCHES [0.76µm] | SS-52300-001 |
| CONTACT PLATING IN MATING AREA | PART NUMBER |



**RECOMMENDED P.C.B. HOLE LAYOUT
TOP VIEW (TOLERANCE ± .002 [0.05])**



| | | |
|---|---|--|
| THIRD ANGLE PROJECTION | stewart CONNECTOR a bel group | 11118 Susquehanna Trail South Glen Rock, PA 17327-9199 (717) 235-7512 http://www.stewartconnector.com |
| DO NOT SCALE DRAWING DRAWING IS SUBJECT TO CHANGE WITHOUT NOTICE | TITLE: USB B TYPE DIP 90 DEG | |
| DIMENSIONS: INCHES [METRIC] UNLESS OTHERWISE SPECIFIED TOLERANCES ARE ±.005 [0.13] ANGLES ARE ± 1° | THIS DRAWING AND THE SUBJECT MATTER SHOWN THEREON ARE CONFIDENTIAL AND THE PROPRIETARY PROPERTY OF STEWART CONNECTOR AND SHALL NOT BE REPRODUCED, COPIED, OR USED IN ANY MANNER WITHOUT PRIOR WRITTEN CONSENT OF STEWART CONNECTOR. THIS PRODUCT MAY BE PROTECTED BY ONE OR MORE OF THE FOLLOWING US PATENTS: 5791942 6217391 6368159 6419526 6602097 687722 6964587 7048590 7086909 7568950 7686650 OTHER PATENTS MAY BE PENDING. | DRN BY: G. LUCAS DATE: 10/2/2018 APPD BY: A. BAUM DATE: 10/3/2018 |
| SHEET NO. 1 OF 1 | CT Jack | DRW NO: CT520009 REV: A0 |