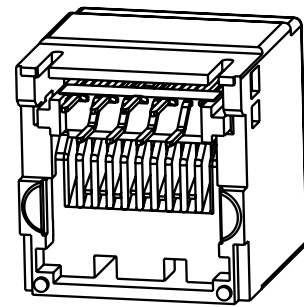
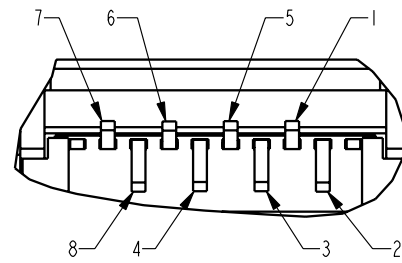


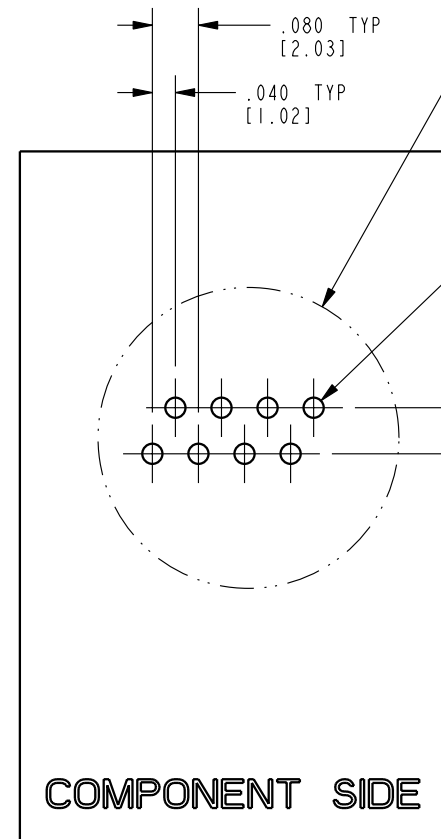
DATE	REV.	ECN	APP'D BY
4-23-07	B1	8022	TRM
9-26-07	C0	8241	TRM



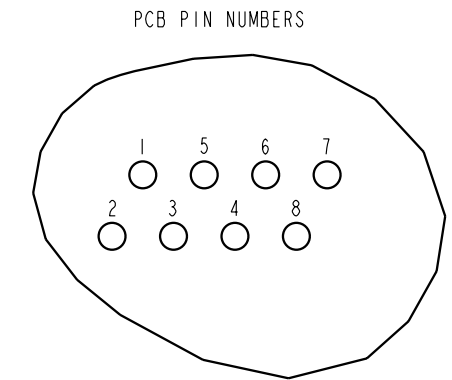
ISO VIEW



JACK PIN NUMBERS



COMPONENT SIDE



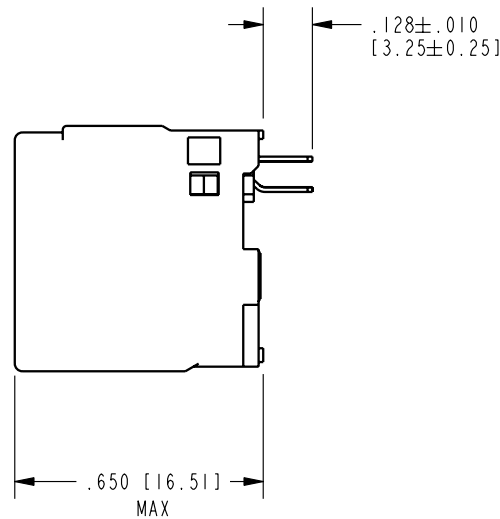
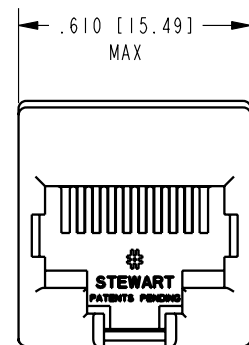
PCB PIN NUMBERS

PCB RECOMMENDED HOLE LAYOUT
SEEN FROM COMPONENT SIDE
ALL CENTERLINE DIMENSIONS ARE BASIC

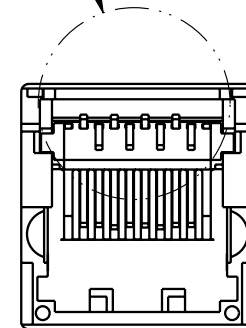
- NOTES:
- CONNECTOR MATERIALS:
HOUSING: THERMOPLASTIC UL94 V-0
CONTACTS/SHIELD: COPPER ALLOY
SHIELD PLATING: NICKEL
CONTACT PLATING: SELECTIVE GOLD IN CONTACT AREA
SEE CHART FOR PART NUMBER
 - PRODUCT DESIGNED FOR CATEGORY 6 APPLICATIONS
 - DIMENSIONS AND TOLERANCES COMPLY WITH FCC/CFR 47, PART 68.
 - REFERENCE PRODUCT SPECIFICATION PR022-01

B

B



SEE DETAIL JACK PIN NUMBERS

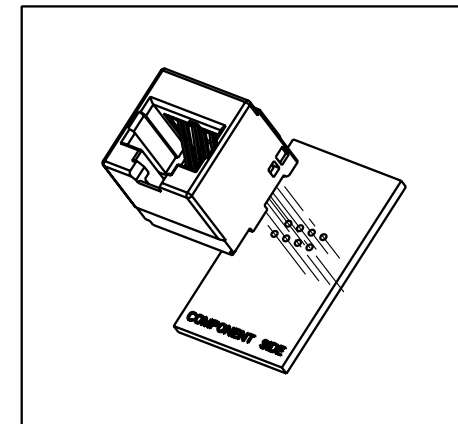


A

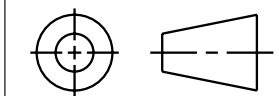
A

50 MICRO-INCHES [1.27um]	SS-60000-023
CONTACT PLATING IN MATING AREA	PART NUMBER

REV. 7/3/03



THIRD ANGLE PROJECTION



DO NOT SCALE DRAWING

DRAWING IS SUBJECT TO CHANGE WITHOUT NOTICE

DIMENSIONS: INCHES [METRIC]

UNLESS OTHERWISE SPECIFIED TOLERANCES ARE ±.005 [0.13] ANGLES ARE ±1°

SHEET NO. 1 OF 1

Bel Stewart Connector

11118 Susquehanna Trail South
Glen Rock, PA 17327-9199
(717) 235-7512 Fax: (717) 235-7954 <http://www.stewartconnector.com>

TITLE: CATEGORY 6 UNSHIELDED VERTICAL JACK
NO MOUNTING POSTS

THIS DRAWING AND THE SUBJECT MATTER SHOWN THEREON ARE CONFIDENTIAL AND THE PROPRIETARY PROPERTY OF BEL STEWART CONNECTOR AND SHALL NOT BE REPRODUCED, COPIED, OR USED IN ANY MANNER WITHOUT PRIOR WRITTEN CONSENT OF BEL STEWART CONNECTOR. THE SUBJECT MATTER MAY BE PATENTED OR A PATENT MAY BE PENDING.

DRN BY: TRM	DATE 11-17-04
CKD BY: RGC	DATE 11-17-04
APPD BY: TRM	DATE 11-17-04
DWG. NO. CT600028	REV. C0