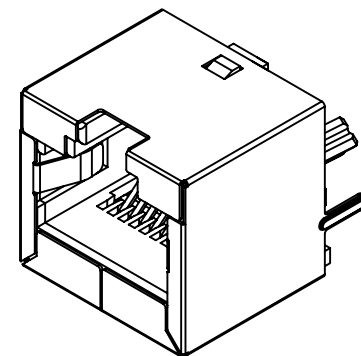
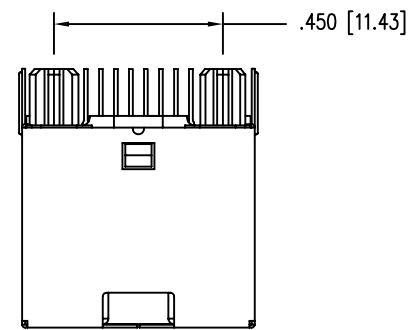
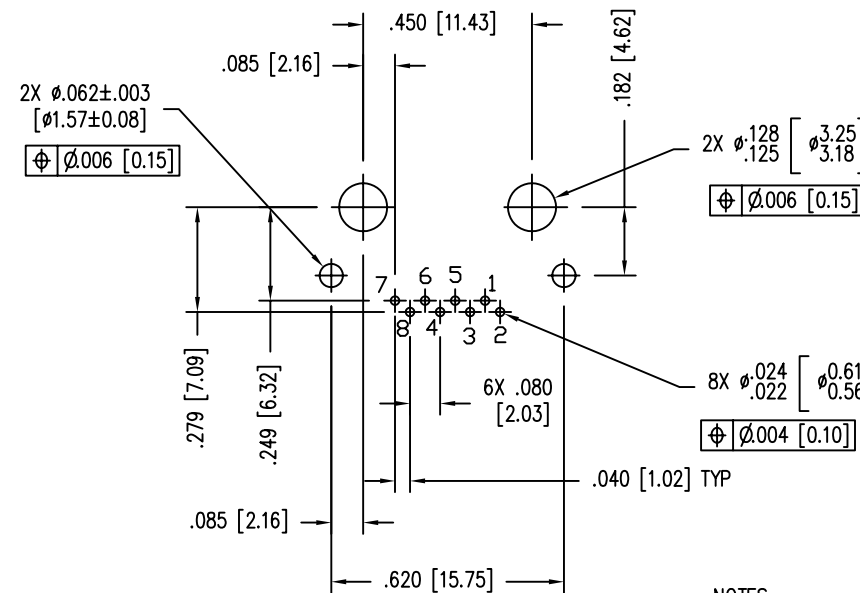


DATE	REV	ECN	APP'D. BY
6-23-08	A0	8470	DHG
03-27-09	A1	8694	DHG
04-08-09	A2	8705	DHG
04-16-10	A3	8955	DHG



ISOMETRIC VIEW

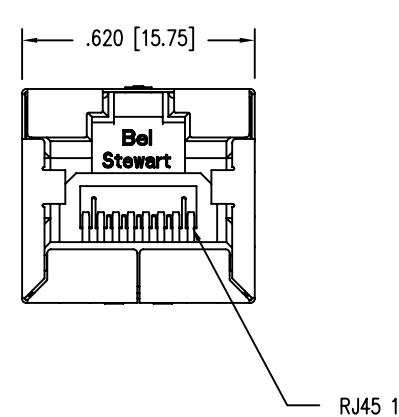


P.C.B. RECOMMENDED HOLE LAYOUT  
SEEN FROM COMPONENT SIDE

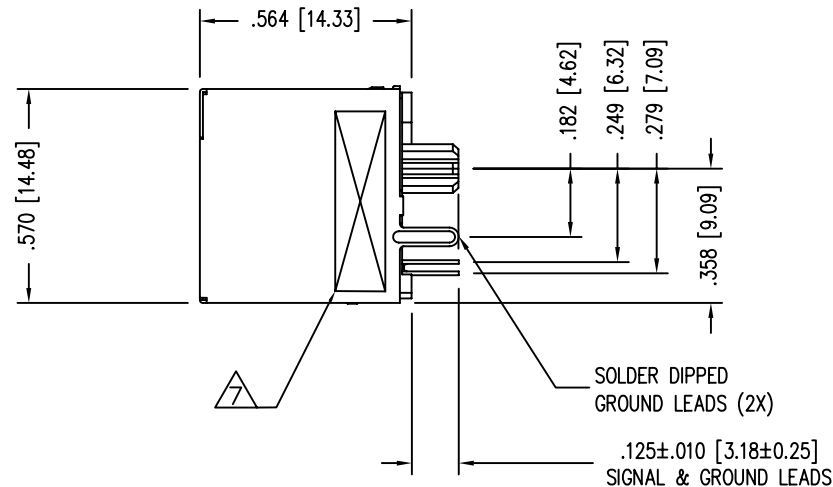
ALL CENTERLINE DIMENSIONS ARE BASIC.

NOTES:

- CONNECTOR MATERIALS:  
HOUSING: THERMOPLASTIC UL94 V-0  
CONTACTS/SHIELD: COPPER ALLOY  
SHIELD PLATING: NICKEL OR TIN  
CONTACT PLATING: SELECTIVE GOLD IN CONTACT AREA  
SEE CHART FOR PART NUMBER
- DESIGNED FOR CATEGORY 6A APPLICATIONS.
- DIMENSIONS AND TOLERANCES COMPLY WITH FCC/CFR 47, PART 68.
- THE ASSEMBLY SHALL WITHSTAND 1414 VDC BETWEEN CONTACTS FOR 60 SECONDS, MIN.
- HIGH TEMPERATURE PLASTIC; WAVE SOLDER COMPATIBLE TO 260°C
- FOR PRODUCT SPECIFICATION SEE PR033-01
- LOGO, PART NUMBER AND DATE CODE LOCATED APROX. IN THIS AREA, EITHER SIDE.
- FOR PROPER JACK FUNCTION AND PERFORMANCE, TIA-1096 COMPLIANT PLUGS MUST BE USED.



RJ45 1



SOLDER DIPPED  
GROUND LEADS (2X)

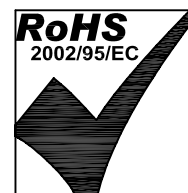
.125±.010 [3.18±0.25]  
SIGNAL & GROUND LEADS

50 MICRO-INCHES [1.27um]	SS-60300-016
CONTACT PLATING IN MATING AREA	PART NUMBER

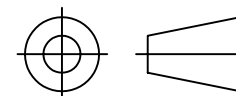
POSITIONS	1 TO 3	3 TO 5	3 TO 7	2 TO 6	4 TO 6	6 TO 8
CAPACITANCE +/- 80 FEMTOFARADS	500	1050	350	350	1050	500

CAPACITANCE CHARACTERISTICS OF ASSEMBLED CONNECTOR

PATENTED



THIRD ANGLE PROJECTION



DO NOT SCALE DRAWING  
DRAWING IS SUBJECT TO  
CHANGE WITHOUT NOTICE

DIMENSIONS: INCHES [METRIC]

UNLESS OTHERWISE SPECIFIED  
TOLERANCES ARE ±.005 [0.13]  
ANGLES ARE ± 1°

SHEET NO. 1 OF 1

# Bel Stewart Connector

11118 Susquehanna Trail South  
Glen Rock, PA 17327-9199  
(717) 235-7512 Fax: (717) 235-7954 <http://www.stewartconnector.com>

TITLE: CATEGORY 6A, VERTICAL  
SHIELDED JACK WITH NO PANEL GROUNDS (NF)

THIS DRAWING AND THE SUBJECT MATTER SHOWN THEREON ARE CONFIDENTIAL AND THE PROPRIETARY PROPERTY OF OF STEWART AND SHALL NOT BE REPRODUCED, COPIED OR USED IN ANY MANNER WITHOUT PRIOR WRITTEN CONSENT OF STEWART. THE SUBJECT MATTER MAY BE PATENTED OR A PATENT MAY BE PENDING.

DRN BY: DHG DATE 04-04-07

APPD BY: TRM DATE 04-04-07

DWG NO. CT600055 REV. A3