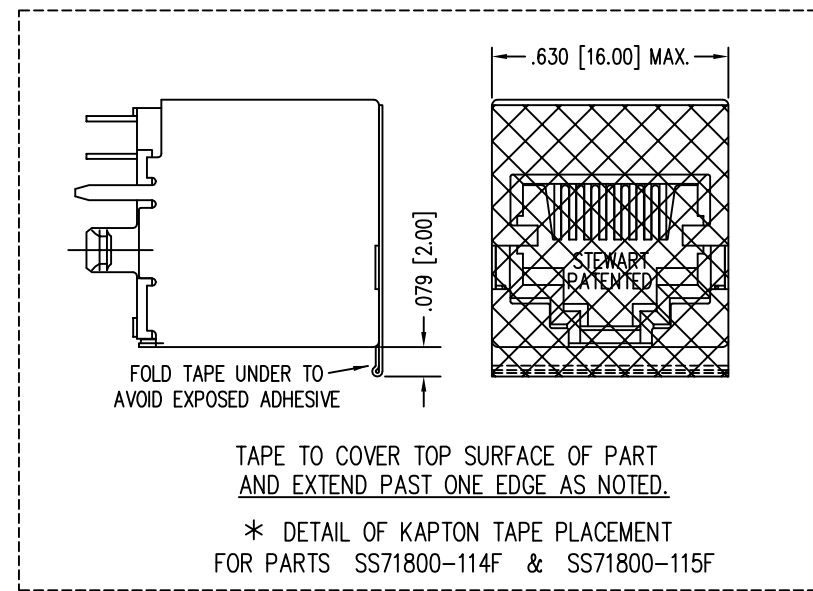
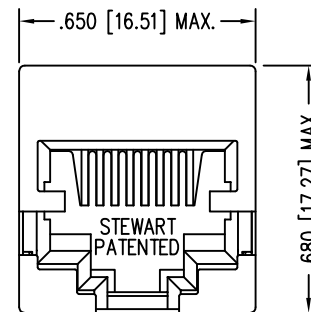
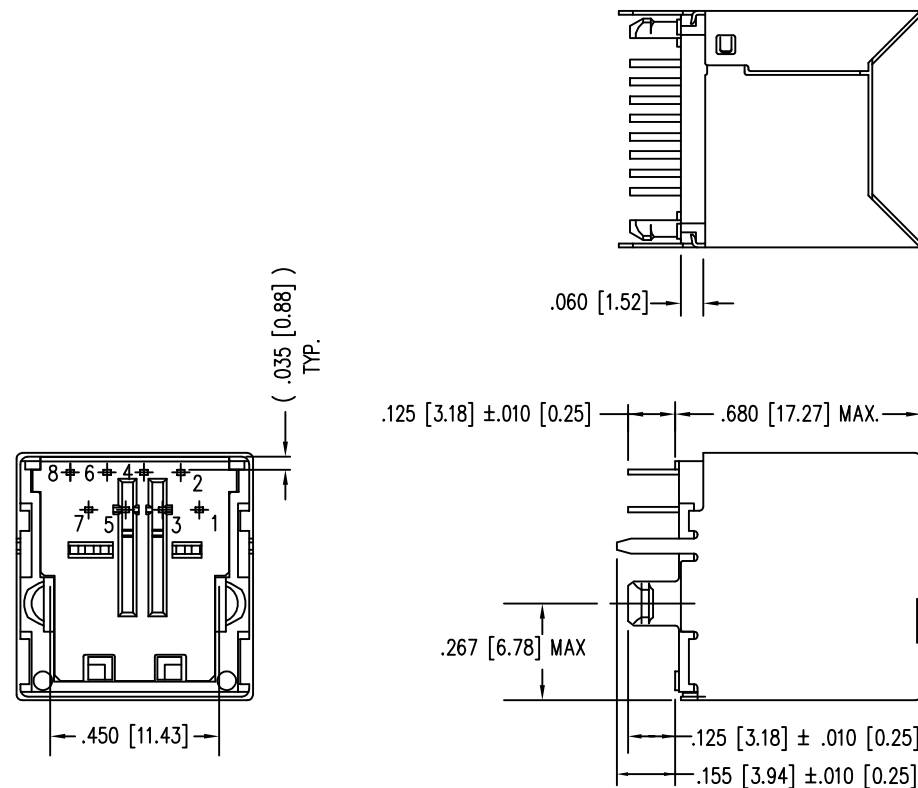


DATE	REV	ECN	APP'D. BY
2-25-14	B2	9953	TRM
6-10-14	B3	10023	TRM
1-16-15	B4	10207	TRM



B

B



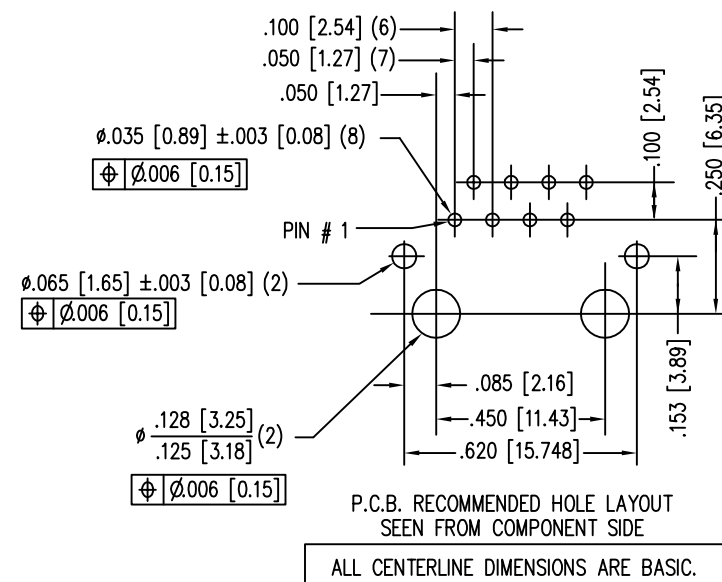
NOTES:

- CONNECTOR MATERIALS:
HOUSING: THERMOPLASTIC UL94 V-0
CONTACTS/SHIELD: COPPER ALLOY
SHIELD PLATING: NICKEL OR TIN
CONTACT PLATING: SELECTIVE GOLD IN CONTACT AREA
SEE CHART FOR PART NUMBER
- FOR PRODUCT SPECIFICATIONS SEE PR026-01.
- DIMENSIONS AND TOLERANCES COMPLY WITH TIA-1096 STANDARD
- DESIGNED FOR CATEGORY 5/5e APPLICATIONS.

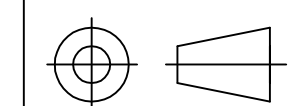
* TAPE & REEL	50 MICRO-INCHES [1.27um]	SS71800-115F
* TAPE & REEL	30 MICRO-INCHES [0.76um]	SS71800-114F
TAPE & REEL	50 MICRO-INCHES [1.27um]	SS71800-109F
TUBE	30 MICRO-INCHES [0.76um]	SS71800-076F
CLAMSHELL	50 MICRO-INCHES [1.27um]	SS71800-029F
CLAMSHELL	30 MICRO-INCHES [0.76um]	SS71800-027F
PACKAGING	CONTACT PLATING IN MATING AREA	PART NUMBER

A

A



THIRD ANGLE PROJECTION



stewart
CONNECTOR
a bel group

11118 Susquehanna Trail South
Glen Rock, PA 17327-9199
(717) 235-7512
<http://www.stewartconnector.com>

DO NOT SCALE DRAWING
DRAWING IS SUBJECT TO
CHANGE WITHOUT NOTICE

TITLE: EIGHT CONTACT, EIGHT POSITION VERTICAL MOUNT SHIELDED JACK
NON-FLANGE

DIMENSIONS: INCHES [METRIC]

THIS DRAWING AND THE SUBJECT MATTER SHOWN THEREON ARE CONFIDENTIAL AND THE PROPRIETARY PROPERTY OF STEWART CONNECTOR AND SHALL NOT BE REPRODUCED, COPIED, OR USED IN ANY MANNER WITHOUT PRIOR WRITTEN CONSENT OF STEWART CONNECTOR. THIS PRODUCT MAY BE PROTECTED BY ONE OR MORE OF THE FOLLOWING US PATENTS: 5791942 6217391 6368159 6419526 6602097 687722 6964587 7048590 7086909 7568950 7686650 OTHER PATENTS MAY BE PENDING.

DRN BY:	RVO	DATE	3-28-05
APPD BY:	RGC	DATE	3-29-05
DWG NO.	CT710020F	REV.	B4

UNLESS OTHERWISE SPECIFIED
TOLERANCES ARE ±.005 [0.13]
ANGLES ARE ± 1°

SHEET NO. 1 OF 1