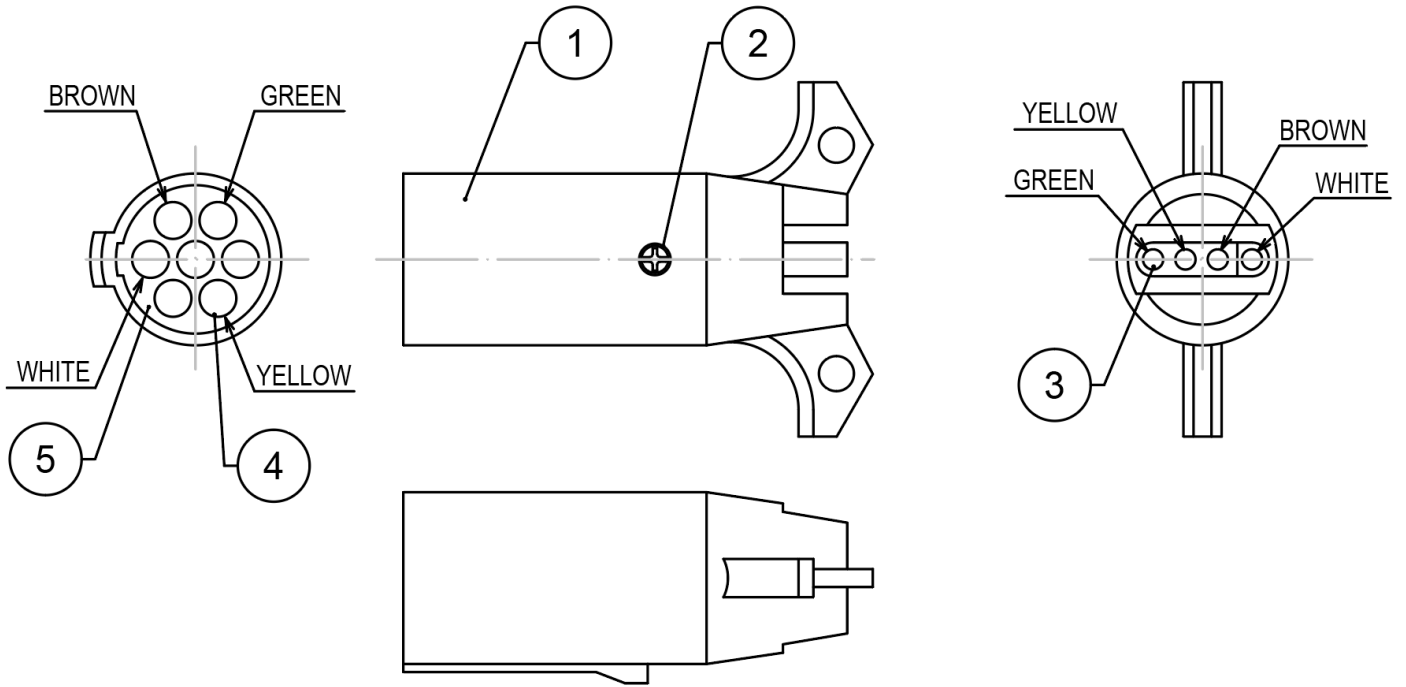


**Mechanical Dimensions: Inches [mm]**

Tolerances  $\pm 0.012$  [0.3] Unless Otherwise Specified



TOLERANCES:  
 1mm~5mm:±0.1  
 6mm~20mm:±0.2  
 21mm~50mm:±0.3  
 51mm~100mm:±0.5  
 ANGLES:±1°

**Material Specifications**

ITEM#	NAME	MATERIAL
1	PLUG SHELL	ABS
2	BASE SCREW	IRON
3	TERMINAL	BRASS
4	ROUND TERMINAL	BRASS
5	TERMINAL BASE	PVC

Rev	Date of issue	Revision Notes	Designed	Approved
A	07-16-2019	Initial Drawing	RC	OH