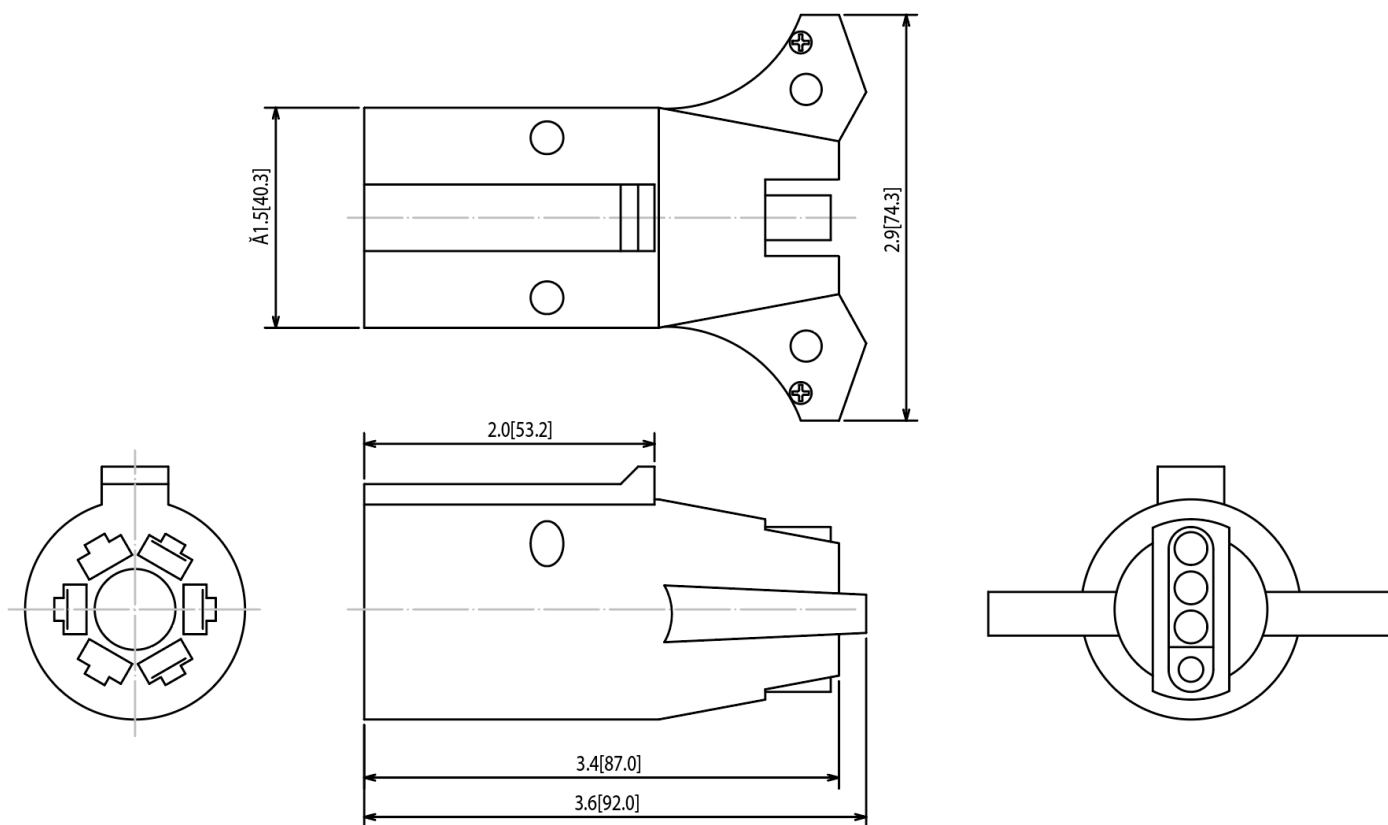


**Mechanical Dimensions: Inches [mm]**

Tolerances  $\pm 0.012$  [0.3] Unless Otherwise Specified



TOLERANCES:  
1mm~5mm:  $\pm 0.1$   
6mm~20mm:  $\pm 0.2$   
21mm~50mm:  $\pm 0.3$   
51mm~100mm:  $\pm 0.5$   
ANGLES:  $\pm 1^\circ$

Rev	Date of issue	Revision Notes	Designed	Approved
A	07-16-2019	Initial Drawing	RC	OH