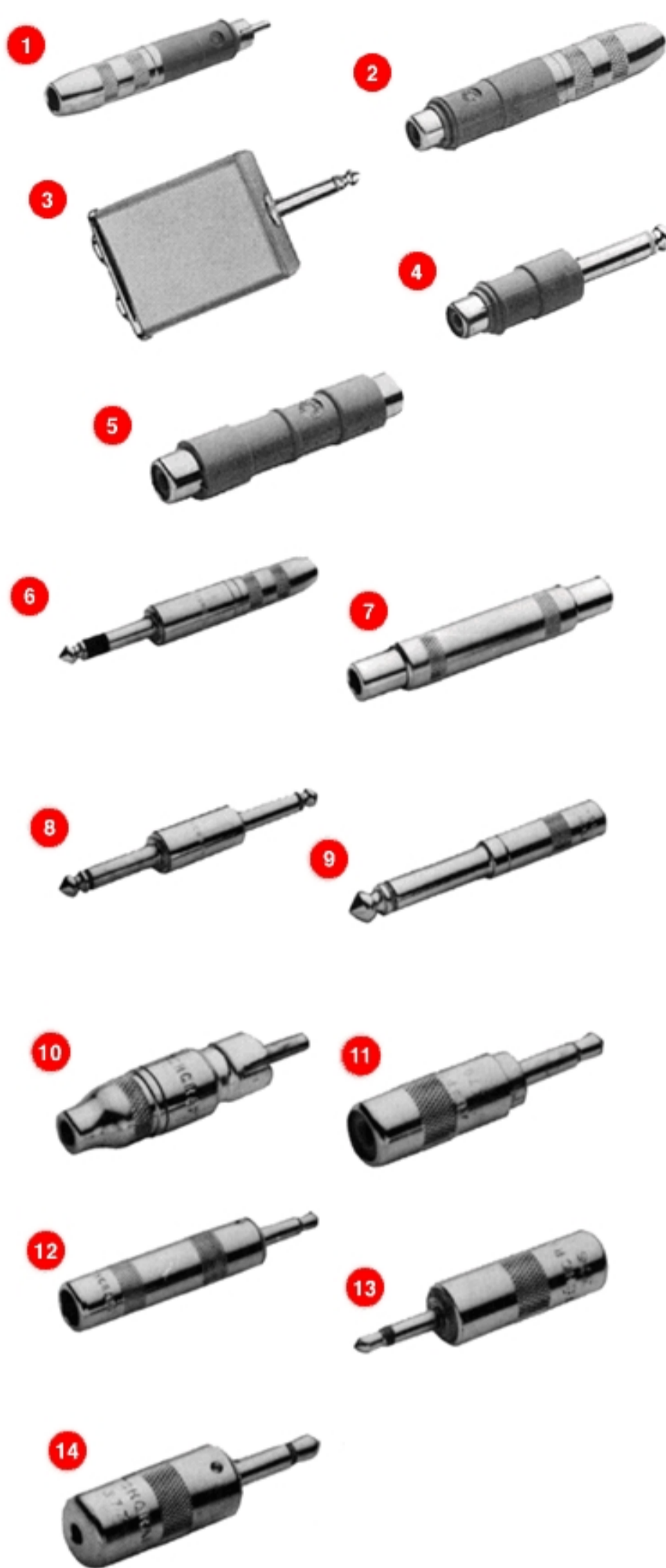


[Previous Page](#) | [Return to Index](#) | [Next Page](#)



## AUDIO ADAPTERS

- 1. Number 336A
- 2. Number 336B
- 3. Number 340
- 4. Number 345A
- 5. Number 349A
- 6. Number 352A
- 7. Number 361A
- 8. Number 363
- 9. Number 364A
- 10. Number 365
- 11. Number 370A
- 12. Number 374
- 13. Number 376
- 14. Number 377

**xPart Number 336A:** 2-conductor phone jack input to a phono plug output. Shielded.

**xPart Number 336B:** 2-conductor phone jack input to phono jack output. Shielded.

**xPart Number 340:** Two 2-conductor phone jack inputs connected in parallel to a 2-conductor phone plug output. Shielded.

**xPart Number 345A:** Phono plug input to a standard 2-conductor phone plug output. Shielded.

**xPart Number 349A:** Phono plug coupler. Phono Extension Jax<sup>®</sup> input to phono Extension Jax output. Shielded.

**xPart Number 352A:** Stereo to monaural adapter. 3-conductor phone jack input to 2-conductor phone plug output. Extrawide insulator prevents accidental damage should wrong connection be made. Shielded.

**xPart Number 361A:** Phone plug coupler. Standard 1/4" inside diameter phone jack input to standard 1/4" inside diameter phone jack output. Ideal for connecting two cables terminated with 2-conductor phone plugs. Shielded.

**xPart Number 363:** Phone jack coupler. Standard 1/4" 2-conductor phone plugs at each end to connect two cables terminated with phone Extension Jax. Shielded.

**xPart Number 364A:** EIA Standard 2-conductor TiniJax<sup>®</sup> phone jack input to a standard 1/4" 2-conductor phone plug output. Shielded.

**xPart Number 365:** EIA Standard 2-conductor TiniJax phone jack input to a phono plug output. Shielded.

**xPart Number 370A:** 2-conductor EIA Standard TiniPlug<sup>®</sup> phone plug (.141" diameter finger) output to phono jack input. Adapts standard phono plug to small TiniPlug. Shielded.

**xPart Number 374:** 2-conductor phone jack input to a 2-conductor EIA Standard TiniPlug (.141" diameter finger) phone plug output. Adapts standard phone plug to small Tini-Plug.

**xPart Number 376:** EIA Standard TiniJax phone jack input to a 2-conductor MicroPlug (.097" diameter finger) phone plug output. Adapts a TiniPlug phone plug to a MicroPlug phone plug.

**xPart Number 377:** Micro-Jax phone jack input to a 2-conductor EIA Standard TiniPlug (.141" diameter finger) phone plug output. Adapts a MicroPlug phone plug to a Tini-Plug phone plug.

x Special order only. Contact Switchcraft.

[Previous Page](#) | [Return to Index](#) | [Next Page](#)

To search a category please click on the corresponding icon:



[Connectors](#) | [Jacks and Plugs](#) | [Patch Panels, Patch Kits & Jackfields](#) | [Cable Assemblies and Patch Cords](#) | [Switches](#) |

All products shown are covered by Switchcraft's limited lifetime warranty.