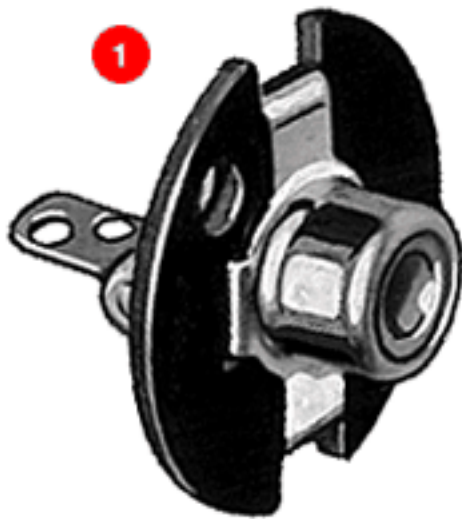


Switchcraft®

[Previous Page](#) | [Return to Index](#) | [Next Page](#)



PHONO JACKS

1. Part Number 3501F

2. **Part Number 3501FP**
3. **Part Number 3501FR**
4. **Part Number 3503**

[click here to download a schematic drawing](#)

(you will need to have Adobe Acrobat installed on your system to do this)



Switchcraft phono jacks and plugs are recommended for semi-permanent connections in audio and electronic applications.

NOTE: Where frequent connect/disconnect is anticipated, Switchcraft Littel-Jax® phone jacks and Littel-Plug® phone plugs are suggested.

PHONO JACKS

Part Number 3501F 2-conductor phono jack with rigid plastic mounting flange. Mounts from rear of panel through .406 inch (10.32 mm) diameter hole, plus 2, .125 inch (3.18 mm) diameter mounting holes.

Part Number 3501FP 2-conductor phono jack for front-of-panel mount, using hex nut (supplied). Only .438 inch (11.12 mm) outside dimension, can be mounted on .5 inch (12.7 mm) centers. Has 1/4 -32 bushing, mounts in .281 inch (7.14 mm) diameter hole in panels up to .25 inch (6.35 mm) thick.

INSULATED MOUNT: Use Numbers S2207 and S1564 insulating washers (not supplied) with .313 inch (7.92 mm) diameter mounting hole. Order washers separately.

Part Number 3501FR 2-conductor phono jack for rear-of-panel mount, using 3/8-32 locknut (supplied). Locknut can be tightened conveniently by holding .438 in (11.12 mm) hex body with Spintite wrench from rear. Can be mounted on .688 inch (17.48 mm) centers through .391 inch (9.93 mm) diameter hole in panels up to .203 inch (5.16 mm) thick.

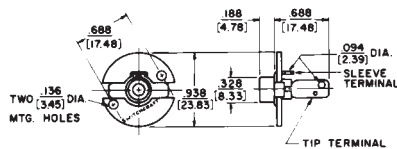
INSULATED MOUNT: Use Number S1028 flat washer and S1029 extruded fiber washer (not supplied), with .439 inch (11.13 mm) diameter mounting hold. Order washers separately.

PHONO EXTENSION JACK

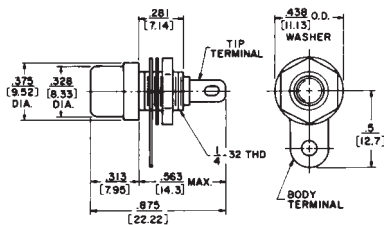
Part Number 3503 2-conductor shielded extension phono jack. Use on end of cable. Large, heavy duty cable clamp, removable handle and durable bright nickel plate on body and handle.

PHONO JACKS

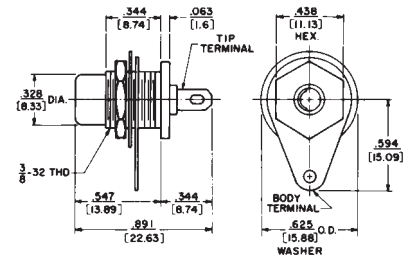
PHONO JACKS



Part Number 3501F 2-conductor phono jack with rigid plastic mounting flange. Mounts from rear of panel through .406 inch (10.32 mm) diameter hole, plus 2, .125 inch (3.18 mm) diameter mounting holes.

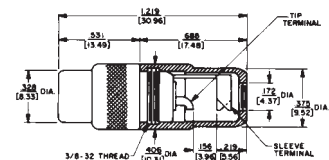


Part Number 3501FP 2-conductor phono jack for front-of-panel mount, using hex nut (supplied). Only .438 inch (11.12 mm) outside dimension, can be mounted on .5 inch (12.7 mm) centers. Has 1/4 -32 bushing, mounts in .281 inch (7.14 mm) diameter hole in panels up to .25 inch (6.35 mm) thick. **INSULATED MOUNT:** Use Numbers S2207 and S1564 insulating washers (not supplied) with .313 inch (7.92 mm) diameter mounting hole. Order washers separately.



Part Number 3501FR 2-conductor phono jack for rear-of-panel mount, using 3/8-32 locknut (supplied). Locknut can be tightened conveniently by holding .438 in (11.12 mm) hex body with Spintite wrench from rear. Can be mounted on .688 inch (17.48 mm) centers through .391 inch (9.93 mm) diameter hole in panels up to .203 inch (5.16 mm) thick. **INSULATED MOUNT:** Use Number S1028 flat washer and S1029 extruded fiber washer (not supplied), with .439 inch (11.13 mm) diameter mounting hold. Order washers separately.

PHONO EXTENSION JACK



Part Number 3503 2-conductor shielded extension phono jack. Use on end of cable. Large, heavy duty cable clamp, removable handle and durable bright nickel plate on body and handle.