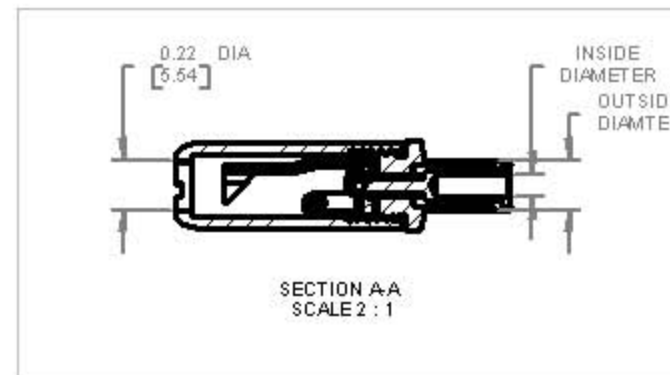
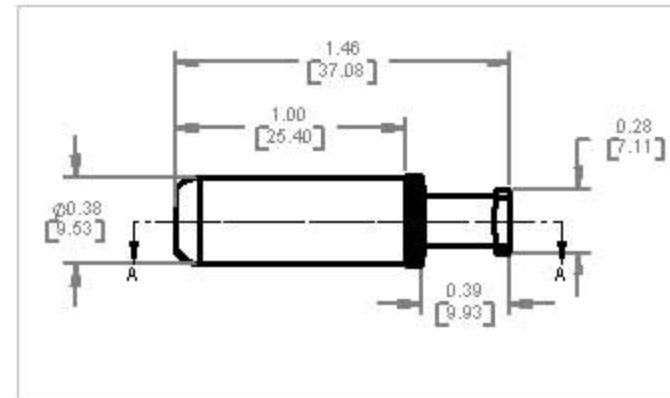


# MINIATURE LOCKING POWER PLUGS



**INSIDE DIA METER :**

S760BK :  $\frac{.080"}{2\text{mm}}$  (.080 - .084) (2.03 - 2.13)

760BK :  $\frac{.100"}{2.5\text{mm}}$  (.099 - .103) (2.52 - 2.61)

**OUTSIDE DIA METER :**

S760BK :  $\frac{.218"}{5.5\text{mm}}$  (.217 - .221) (5.51 - 5.61)

760BK :  $\frac{.218"}{5.5\text{mm}}$  (.217 - .221) (5.51 - 5.61)