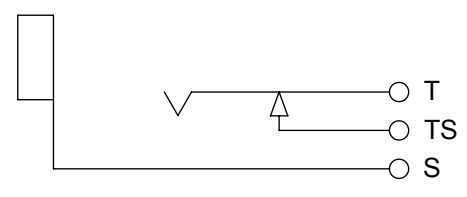


SCHMATIC

TYPICAL MATING PLUGS:  
250, 420, 425, 440, 445,  
MILITARY PJ-047 & PJ-055

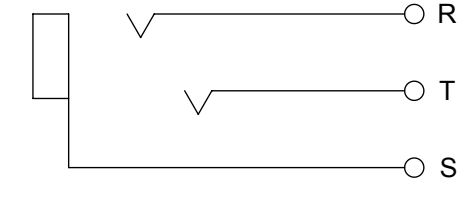
**RN111PC**



SCHMATIC

TYPICAL MATING PLUGS:  
250, 420, 425, 440, 445,  
MILITARY PJ-047 & PJ-055

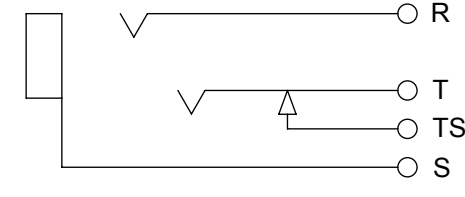
**RN112APC**



SCHMATIC

TYPICAL MATING PLUGS:  
267, 482, 483, MILITARY PJ-051 &  
WESTERN ELECTRIC 310

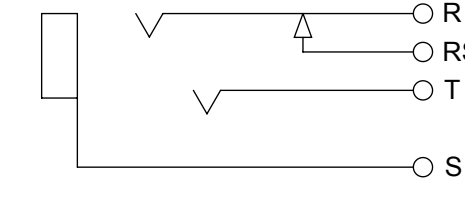
**RN112BPC**



SCHMATIC

TYPICAL MATING PLUGS:  
267, 482, 483, MILITARY PJ-051 &  
WESTERN ELECTRIC 310

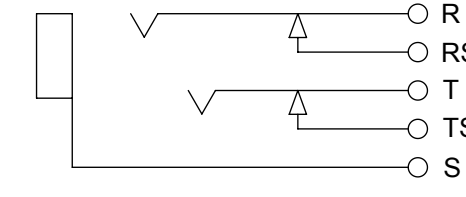
**RN113BPC**



SCHMATIC

TYPICAL MATING PLUGS:  
267, 482, 483, MILITARY PJ-051 &  
WESTERN ELECTRIC 310

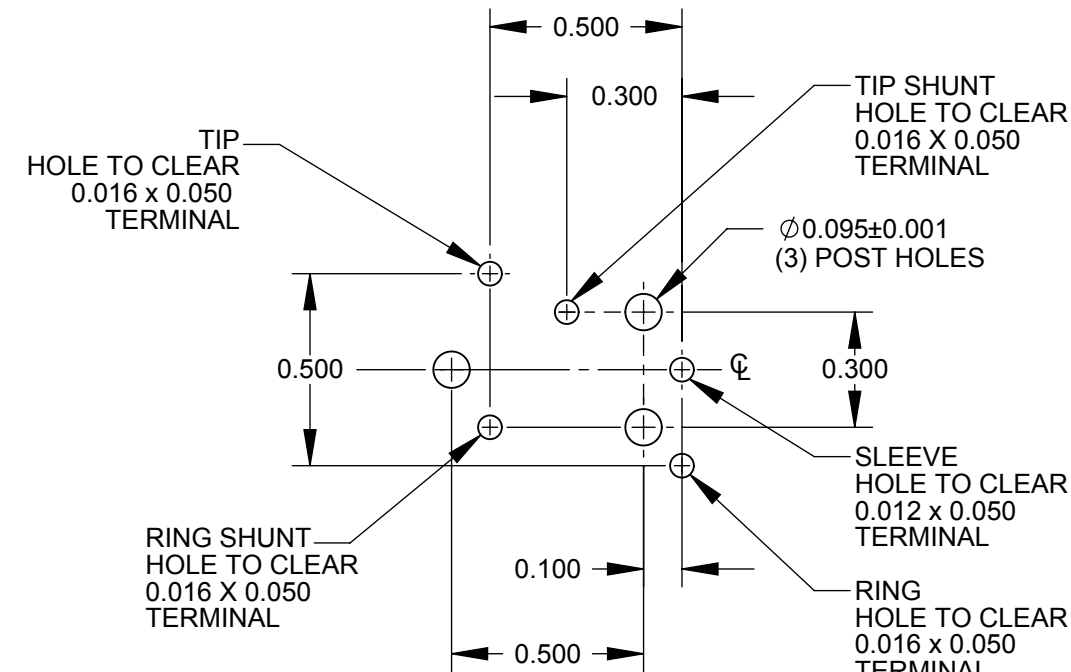
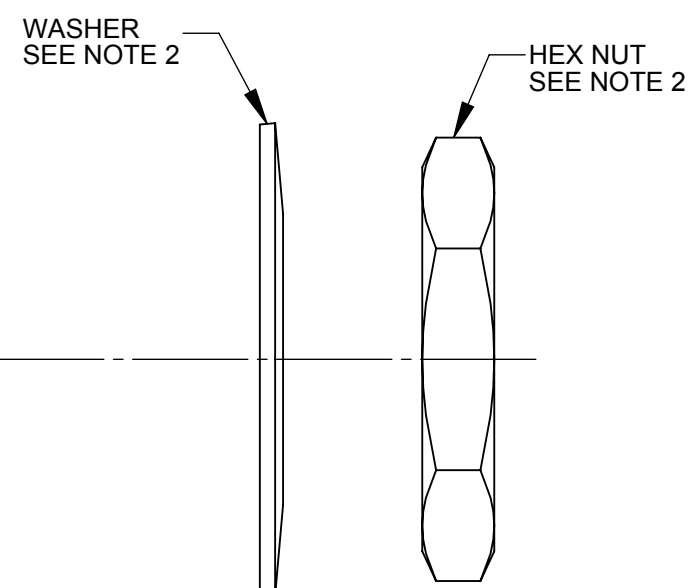
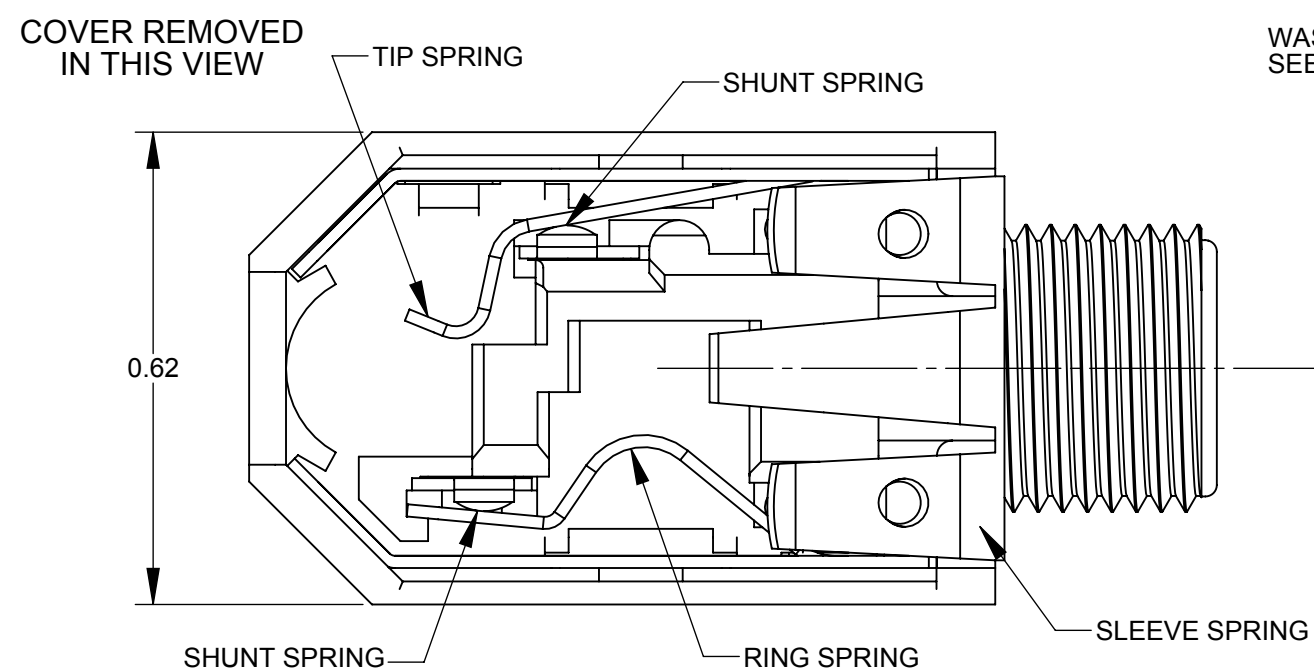
**RN113FPC**



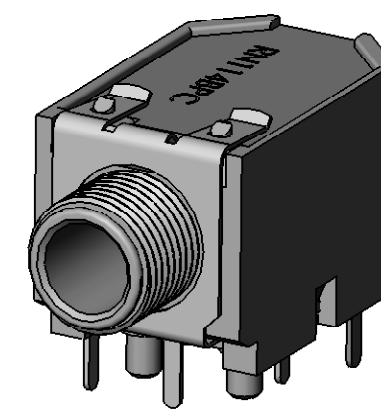
SCHMATIC

TYPICAL MATING PLUGS:  
267, 482, 483, MILITARY PJ-051 &  
WESTERN ELECTRIC 310

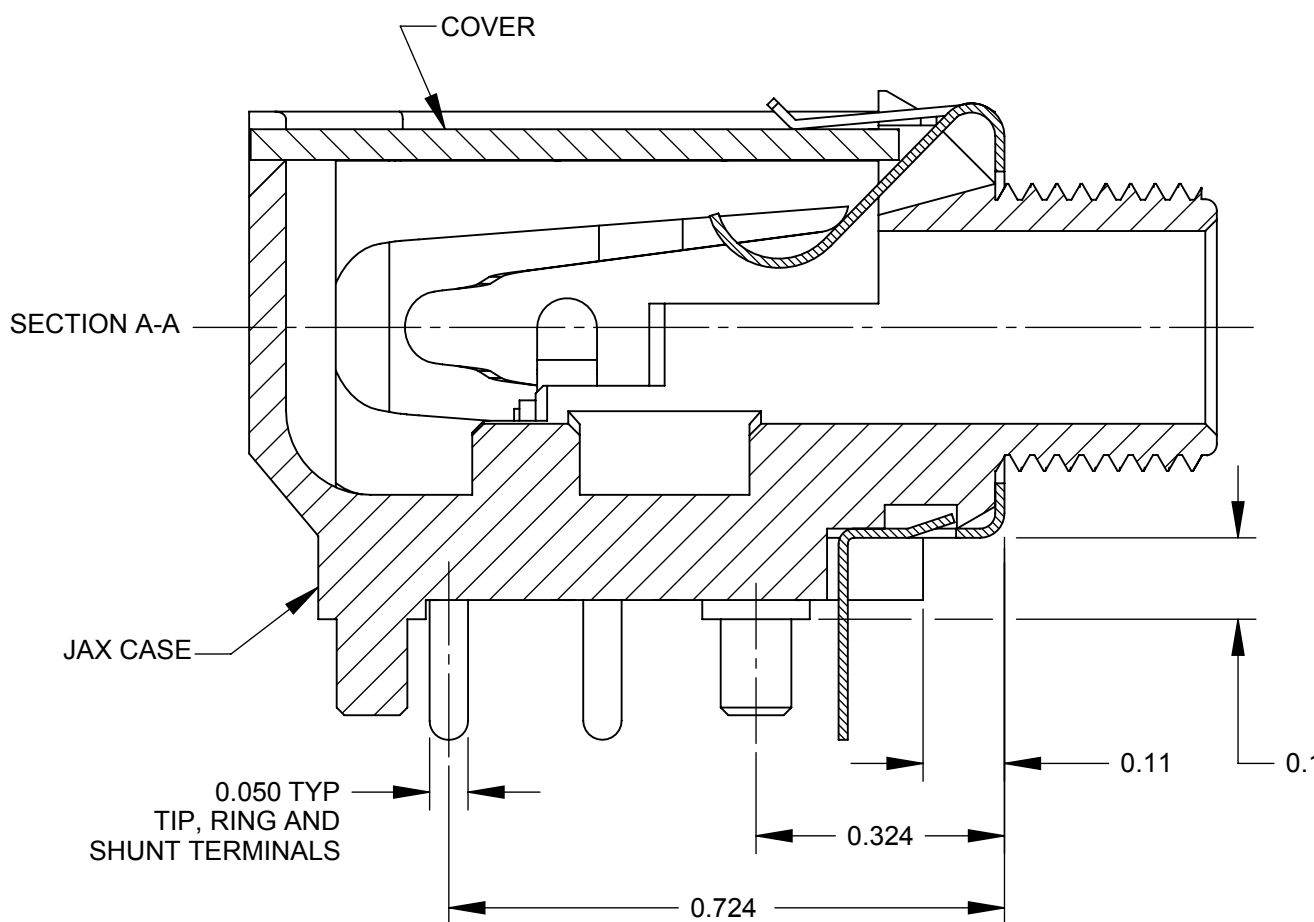
**RN114BPC**



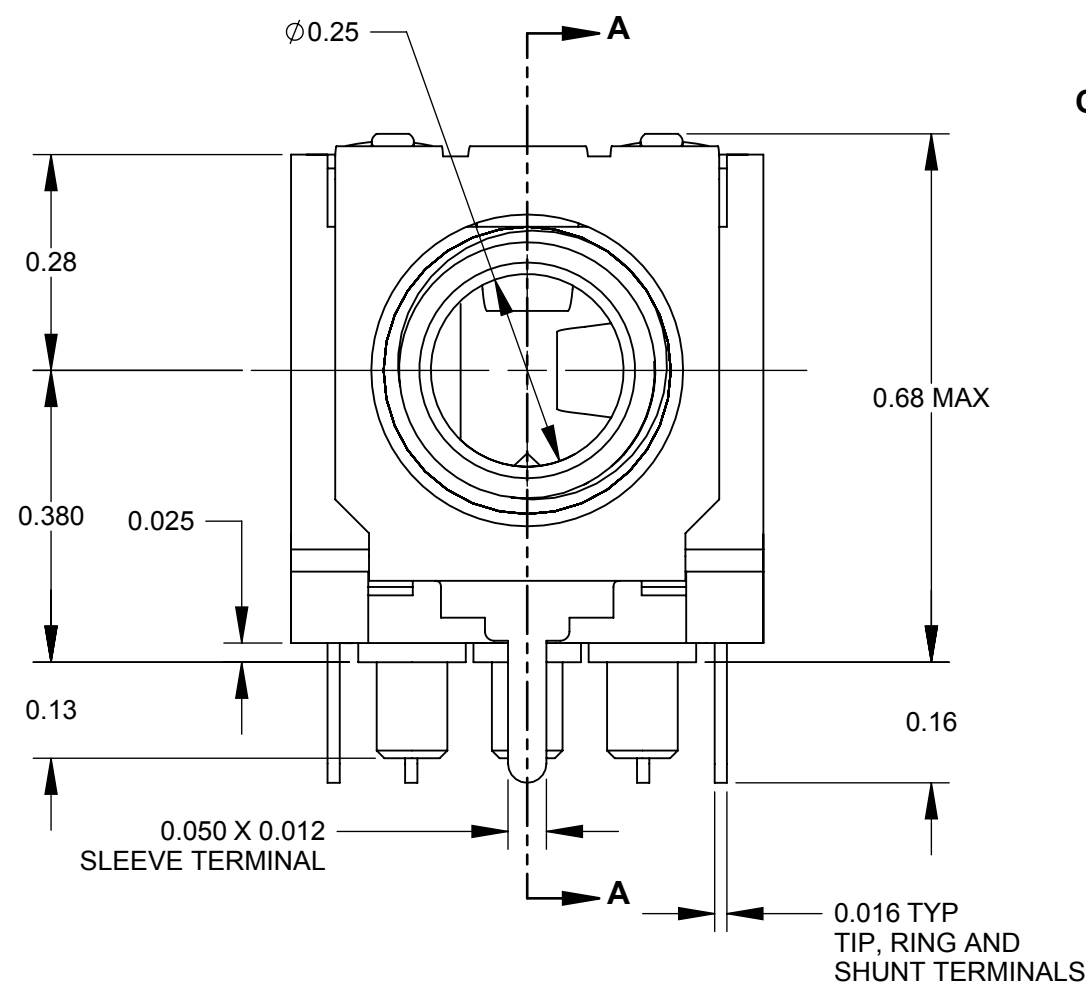
**PCB LAYOUT  
COMPONENT SIDE**



**RN114BPC SHOWN**

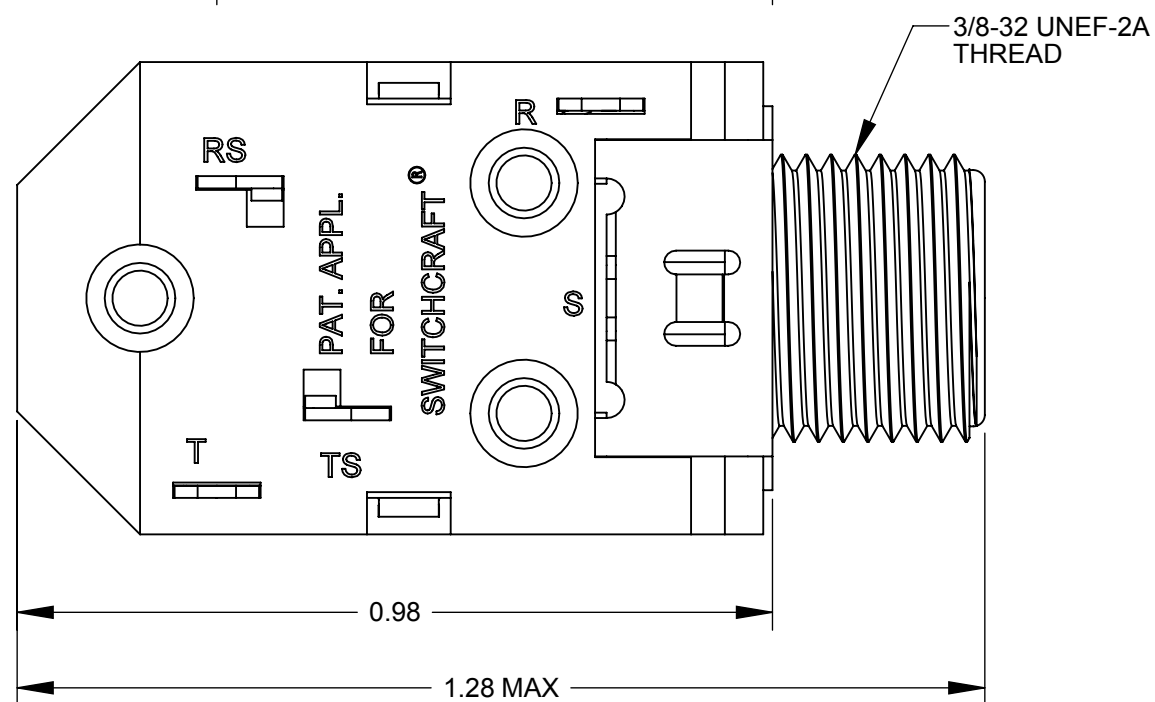


SECTION A-A



**NOTES:**

1. ALL DIMENSIONS ARE REFERENCE.
2. HARDWARE SHIPPED UNASSEMBLED.
3. MATERIALS:  
JAX CASE AND COVER - THERMOPLASTIC, BLACK  
SPRINGS/TERMINALS - COPPER ALLOY, TIN PLATED  
WASHER - CRS, NICKEL PLATED  
HEX NUT - COPPER ALLOY NICKEL PLATED
4. THESE PRODUCTS ARE RoHS COMPLIANT.



**CUSTOMER DRAWING**

UNLESS OTHERWISE SPECIFIED					THIS DRAWING DESCRIBES A DESIGN CONSIDERED PROPRIETARY IN NATURE, DEVELOPED AND MANUFACTURED BY SWITCHCRAFT INC. AND IS RELEASED ON A CONFIDENTIAL BASIS FOR IDENTIFICATION PURPOSES ONLY.					
1. ALL DIMENSIONS IN INCHES					SIZE *	WIDTH *	MULT *	LBS/M *	TEMPER *	
- TWO PLACE DECIMALS ±0.02					FINISH *				MATERIAL *	
- THREE PLACE DECIMALS ±0.005					SPEC No. *				SPEC No. *	
					FIRST USED ON		SCALE			
					DATE DRAWN		4:1			
					BY	CHKD	APVD			
					01-06-09	JEB	TJK			
					01-06-09		01-28-09			
					NAME				PART No.	REV
					RN SERIES				RN111-RN114 SERIES	0A
					RIGHT ANGLE "HI-D" JAX, RoHS					
REVISIONS					DO NOT SCALE DRAWING					
0A	XXXXX	01-06-09	JEB	TJK						