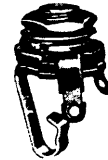


1/4" PHONE JACKS

14B

PC-12A



FAL-11
.205 FASTON
TERMINAL

11

Littel-Jax® COMMERCIAL PHONE JACKS 2- and 3-CONDUCTOR

Littel-Jax phone jacks mate with standard commercial phone plugs and are available with .25 inch and .21 inch inside diameter bushings.

MIL Littel-Jax® PHONE JACKS

2- and 3-CONDUCTOR MIL-SPEC, MIL-J-641 (E)

MIL jacks mate with MIL-type phone plugs with .25 inch (6.35mm) or .21 inch (5.34mm) diameter bushings. Numbers C11 and C12B have a non-turn locating pin which keys the jack to the mounting surface. For low contact resistance applications, jack number C12A has fine silver contacts on shunts and tip springs.

MOUNTING

Chassis/Panel: See Mounting Data drawing below; small hole is required only for jacks numbers C11 and C12B with non-turn locating pin.

Maximum Panel Thickness: .156 inch (4mm) for standard .276 inch (7mm) long bushing; .25 inch (6.35mm) for .375 inch (9.5mm) long bushing.

NOTE: For panels thicker than .25 inch see Thick Panel Phone Jax.

Insulated Mount: See drawing. S1028 flatwasher and Part Number S1029 shoulder washer must be ordered separately for mounting in .437 inch diameter hole.

NOTE: See Hi-D Jax® for jack specifically designed for insulated mounting without additional washers.

PC Board Mounting: See Recommended PC Board Layout drawing below for jacks with PC terminals. Recommended PC board thickness is .062 inches.

Mounting Centers: 1.188 inch (30mm) recommended. Centers may vary with jack selected, for example, Number 11 mounts on .813 inch (20.6mm) and 14B mounts on 1.125 inch (28.6mm) minimum centers.

TWO CONDUCTOR PART NUMBERS

Part Number	Description	Jack Schematic ¹	Typical Mating Plug
11	Open circuit	I	250
C11	MIL Number M641/6-1	I	440
FA11	.205 inch FASTON terminal	I	250
FAL11	.375 inch long bushing .205 FASTON terminal	I	250
L11	.375 inch long bushing	I	250
12A	Tip shunt	III	250
C12A	MIL Number M641/12-1	III	440
L12A	.375 inch long bushing	III	250
PC12A	PC board mount	III	250
13	Isolated "make" circuit	V	250
13A	Transfer circuit	VI	250
13E	Isolated "break" circuit	IX	250

THREE CONDUCTOR PART NUMBERS

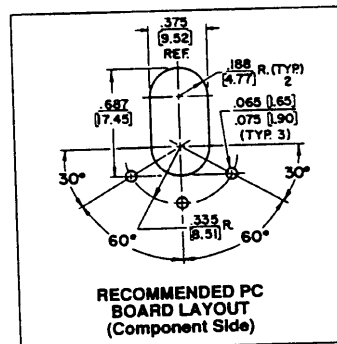
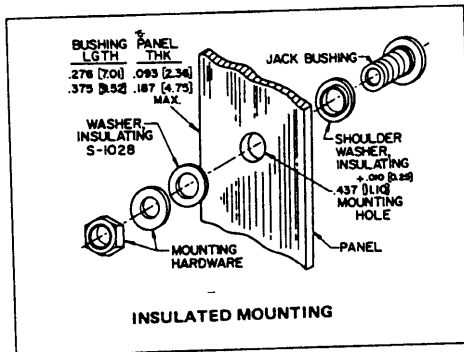
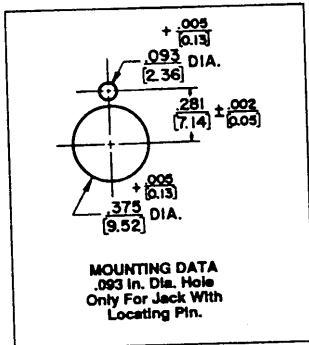
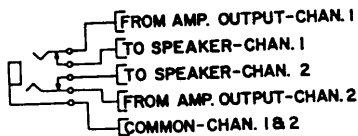
12B	Double open circuit	IV	267
L12B	.375 inch long bushing	IV	267
C12B	MIL number M641/5-1, .210 inch inside diameter	IV	480
13B	Tip shunt	VII	267
14B	Double closed circuit	XII	267

PART NUMBERS .210 inch inside diameter bushing

S11	2 conductor	I	S250
S12A	2 conductor	III	S250
S12B	3 conductor	IV	480
S13B	3 conductor	VII	480

¹ Refer to jack schematics. Other circuits are available; contact factory.

STEREO JACK CONNECTIONS



DIMENSIONS ARE FOR REFERENCE ONLY $\frac{\text{Inch}}{\text{(mm)}}$

NOTE: Contact your Switchcraft Representative for price and delivery.

All products shown in this catalog are covered by Switchcraft's limited lifetime warranty.

® Registered trademark of Switchcraft, Inc.

JACKS AND PLUGS