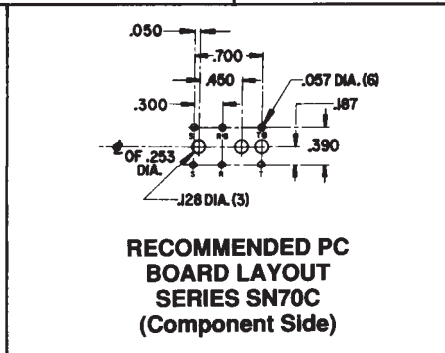
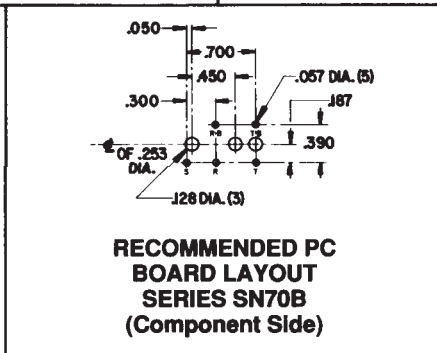
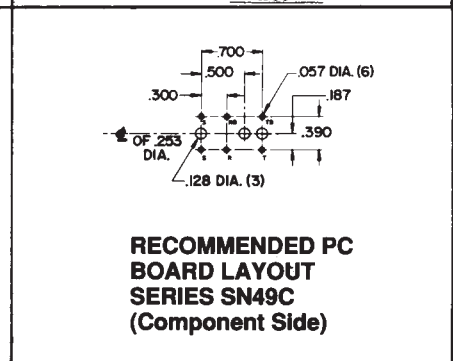
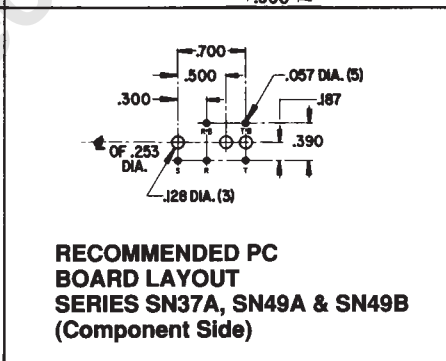
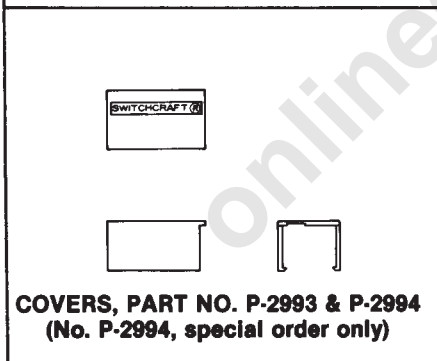
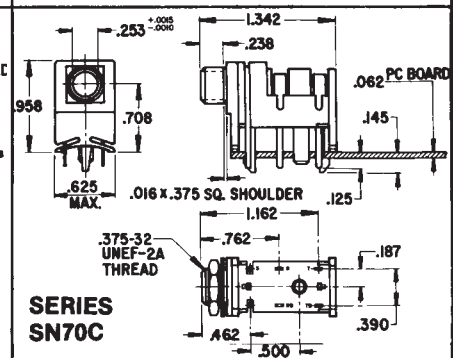
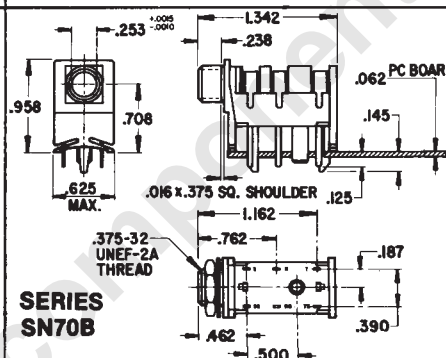
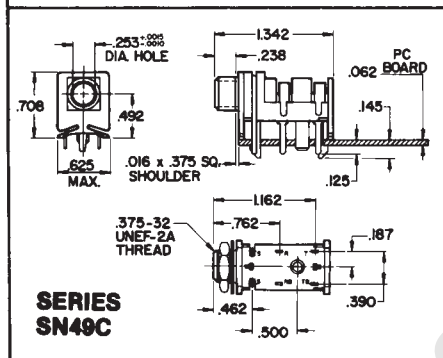
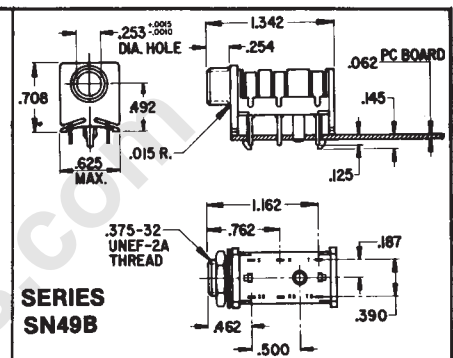
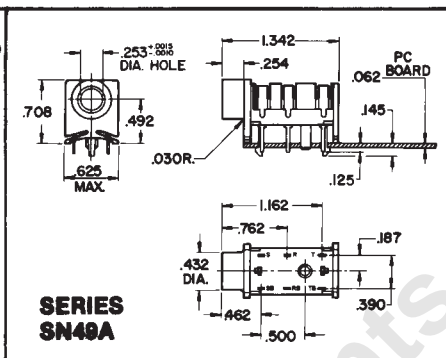
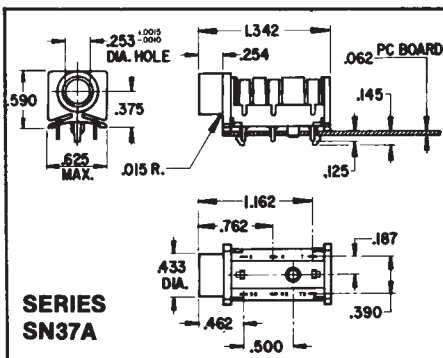
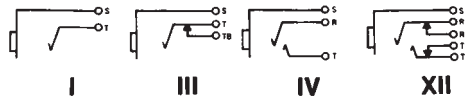


1/4" RIGHT-ANGLE PHONE JACKS

SERIES SN

JACK SCHEMATICS



DIMENSIONS ARE FOR REFERENCE ONLY  $\frac{\text{Inch}}{\text{(mm)}}$

NOTE: Contact your Switchcraft Representative for price and delivery.