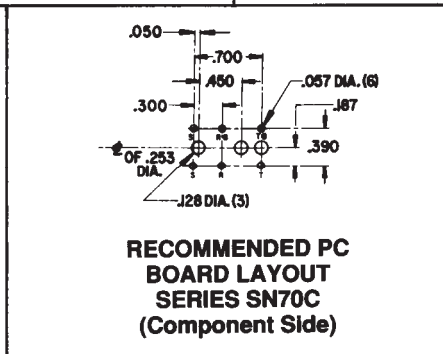
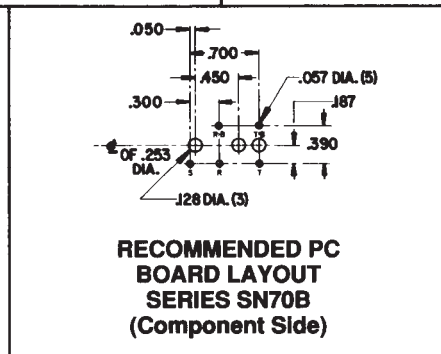
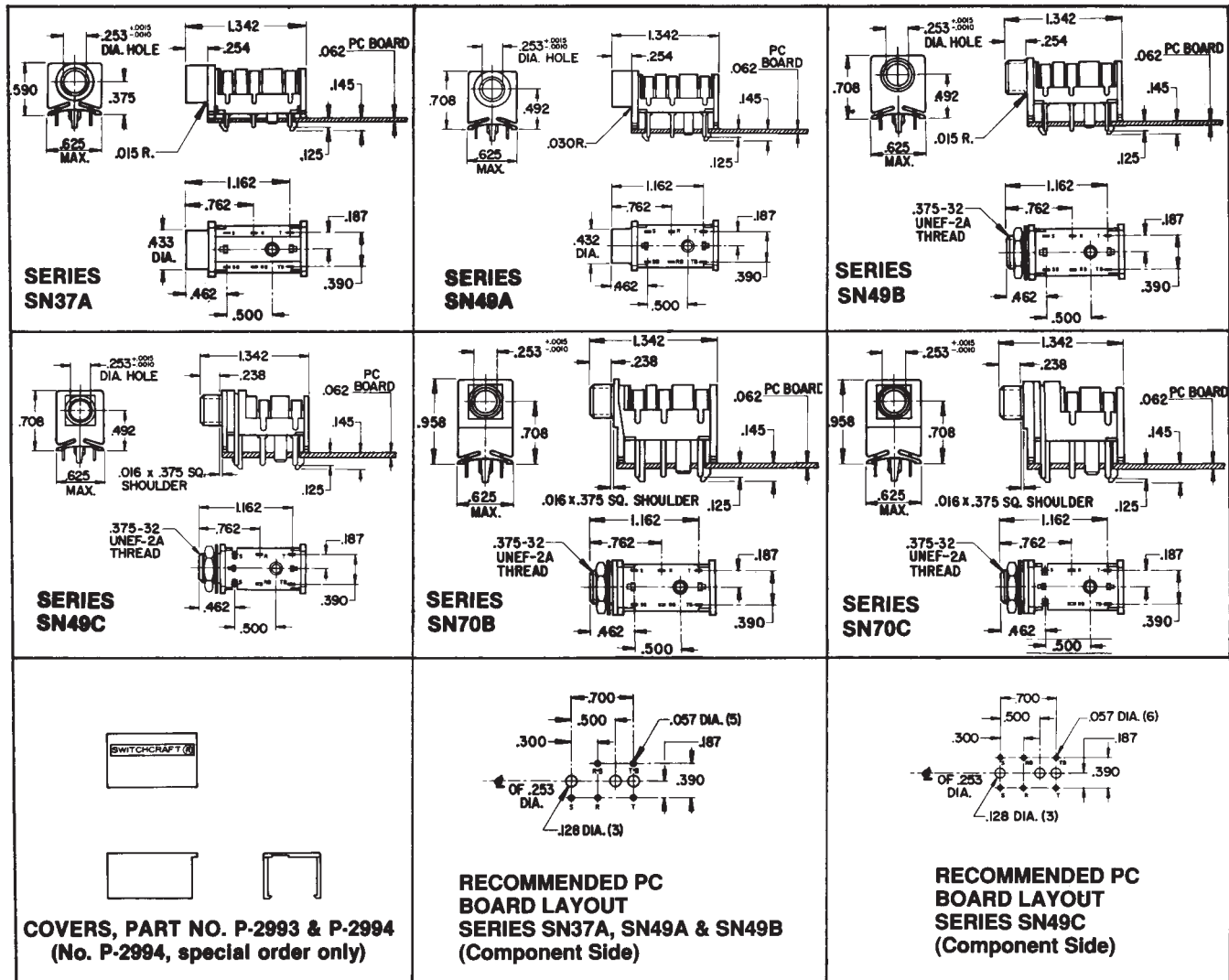
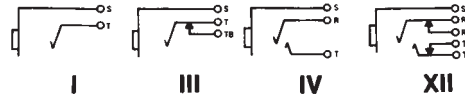


## 1/4" RIGHT-ANGLE PHONE JACKS

### SERIES SN

#### JACK SCHEMATICS



DIMENSIONS ARE FOR REFERENCE ONLY Inch  
(mm)

NOTE: Contact your Switchcraft Representative for price and delivery.