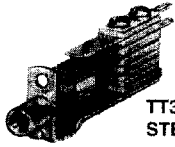


SWITCHCRAFT, INC. 5555 N. Elston Ave. • Chicago, IL 60630 • 773 792-2700 • FAX: 773 792-2129 • www.switchcraft.com

## TT-JAX® (.173") TELEPHONE JACKS BANTAM TYPE®


**TT36**  
STEEL FRAME

**TT32BDC**  
DIE-CAST FRAME  
(special order only)

**TT36FM**  
FRONT MOUNT

**WTT636C**  
THREADED BUSHING

### FEATURES

- Steel (standard) or die-cast frames (special order).
- 2- or 3-conductors.
- Palladium crossbar welded contacts are standard in switching circuits. Fine silver or gold alloy contacts are available on special order.
- Series TT30, TT30FM and TT600 - solder lugs; Series WTT30, WTT30FM and WTT600FM - wire-wrapping terminals. Bussing solder lugs are available on special order.
- Series TT30 and WTT30 jacks mount in Series 1600, A1600, B1600 and C1600 jacks panels.
- Series TT30FM and WTT30FM jacks mount in Series TT51, TT52, TT55 and TT56 jack panels.
- Series TT600 and WTT600 jacks mount in .25 inch diameter holes in panels up to .281 inches thick. Mounting centers: .438 inches.
- Add "N" for nickel-plated frame and "Y" for offset solder lugs.

### SWITCHCRAFT VS. MIL NUMBERS

Jack Number	MIL Spec. Number
TT32B	641/19-2
TT32BFM	641/19-6
TT34B	641/19-4
TT34BFM	641/19-8
TT36C	641/19-10
WTT32B	641/19-1
WTT32BFM	641/19-5
WTT34B	641/19-3
WTT34BFM	641/19-7
WTT36C	641/19-9

Part Numbers, Jack with Solder Lugs					Schem. <sup>1</sup>	Dim. "X" Max. In (mm) <sup>2</sup>	Cond.	Typical Mating Plug <sup>3</sup>
Series TT30		Series TT30FM		Series TT600				
Steel	Die Cast	Steel	Die Cast	Steel				
TT31	TT31DC	TT31FM	TT31FMDC	TT631	I	422 (10.7)	2	TT251
TT32A	TT32ADC	TT32AFM	TT32AFMDC	TT632A	III	406 (10.3)	2	TT251
TT32B	TT32BDC	TT32BFM	TT32BFMDC	TT632B	IV	578 (14.68)	3	TT253
TT32C	TT32CDC	TT32CFM	TT32CFMDC	TT632C	XVIII	422 (10.7)	2	TT251
TT33	TT33DC	TT33FM	TT33FMDC	TT633	V	578 (14.7)	2	TT251
TT33B	TT33BDC	TT33BFM	TT33BFMDC	TT633B	VII	484 (12.3)	3	TT253
TT34A	TT34ADC	TT34AFM	TT34AFMDC	TT634A	XI	547 (13.9)	2	TT251
TT34B	TT34BDC	TT34BFM	TT34BFMDC	TT634B	XII	578 (14.68)	3	TT253
TT34C	TT34CDC	TT34CFM	TT34CFMDC	TT634C	XVII	547 (13.9)	2	TT251
TT34F	TT34FDC	-	-	-	XIX	609 (15.5)	2	TT251
TT35	TT35DC	TT35FM	TT35FMDC	TT635	XIII	609 (15.5)	2	TT251
TT36	TT36DC	TT36FM	TT36FMDC	TT636	XX	609 (15.5)	3	TT253
TT36A	TT36ADC	TT36AFM	TT36AFMDC	TT636A	XIV	625 (15.9)	3	TT253
TT36B	TT36BDC	-	-	-	XXI	703 (17.9)	3	TT253
TT36C	TT36CDC	TT36CFM	TT36CFMDC	TT636C	XXII	625 (15.9)	3	TT253

Part Numbers, Jack with Wire Wrapping Terminals					Schem. <sup>1</sup>	Dim. "X" Max. In (mm) <sup>2</sup>	Cond.	Typical Mating Plug <sup>3</sup>
Series WTT30		Series WTT30FM		Series WTT600				
Steel	Die Cast	Steel	Die Cast	Steel				
WTT31	WTT31DC	WTT31FM	WTT31FMDC	WTT631	I	422 (10.7)	2	TT251
WTT32A	WTT32ADC	WTT32AFM	WTT32AFMDC	WTT632A	III	406 (10.3)	2	TT251
WTT32B	WTT32BDC	WTT32BFM	WTT32BFMDC	WTT632B	IV	578 (14.68)	3	TT253
WTT32C	WTT32CDC	WTT32CFM	WTT32CFMDC	WTT632C	XVIII	422 (10.7)	2	TT251
WTT33	WTT33DC	WTT33FM	WTT33FMDC	WTT633	V	578 (14.7)	2	TT251
WTT33B	WTT33BDC	WTT33BFM	WTT33BFMDC	WTT633B	VII	484 (12.3)	3	TT253
WTT34A	WTT34ADC	WTT34AFM	WTT34AFMDC	WTT634A	XI	547 (13.9)	2	TT251
WTT34B	WTT34BDC	WTT34BFM	WTT34BFMDC	WTT634B	XII	578 (14.68)	3	TT253
-	-	-	-	WTT634C	XVII	547 (13.9)	2	TT251
WTT35	WTT35DC	WTT35FM	WTT35FMDC	WTT635	XIII	609 (15.5)	2	TT251
WTT36	WTT36DC	WTT36FM	WTT36FMDC	WTT636	XX	609 (15.5)	3	TT253
WTT36A	WTT36ADC	WTT36AFM	WTT36AFMDC	WTT636A	XIV	625 (15.9)	3	TT253
WTT36C	WTT36CDC	WTT36CFM	WTT36CFMDC	WTT636C	XXII	625 (15.9)	3	TT253

† Special order only.

1 See schematic diagrams.

2 "X" dimension of die cast frame jacks may be slightly greater.

3 See Mating Plugs Section.

NOTE: Contact your Switchcraft Representative for price and delivery.

## TT-JAX® (.173") TELEPHONE JACKS BANTAM TYPE®

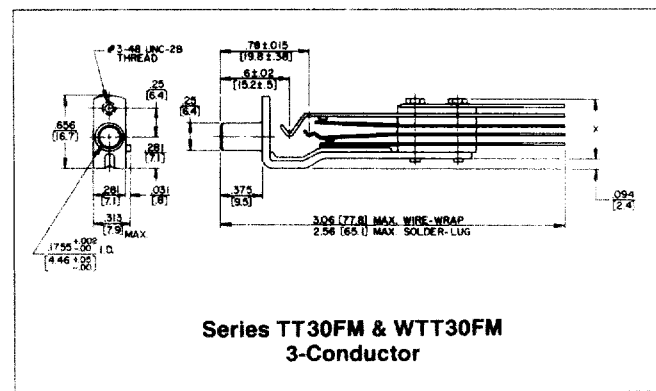
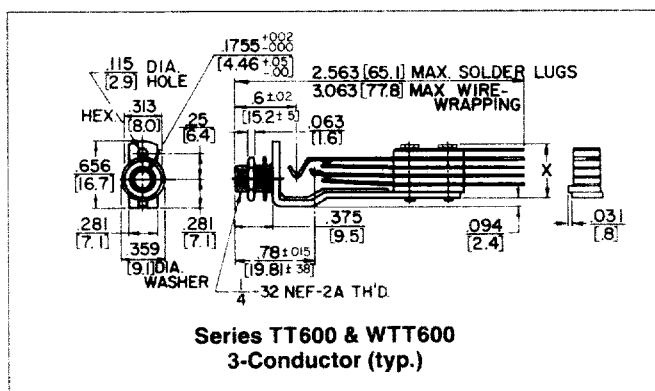
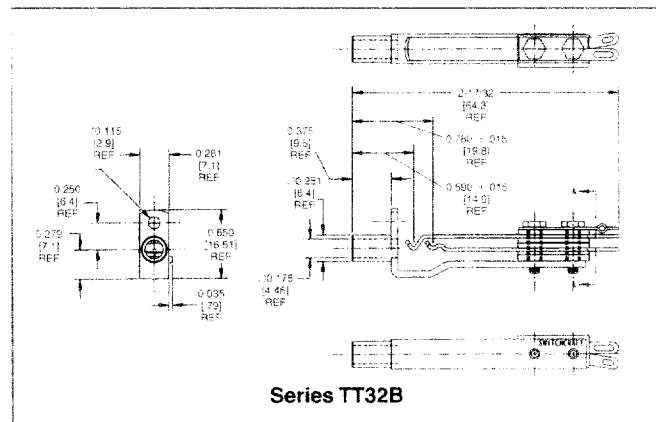
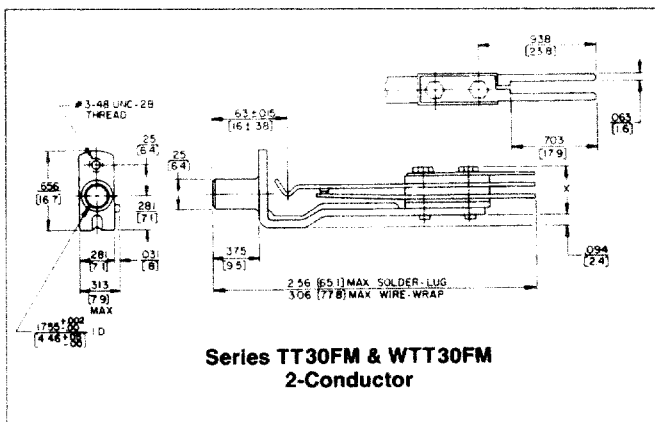
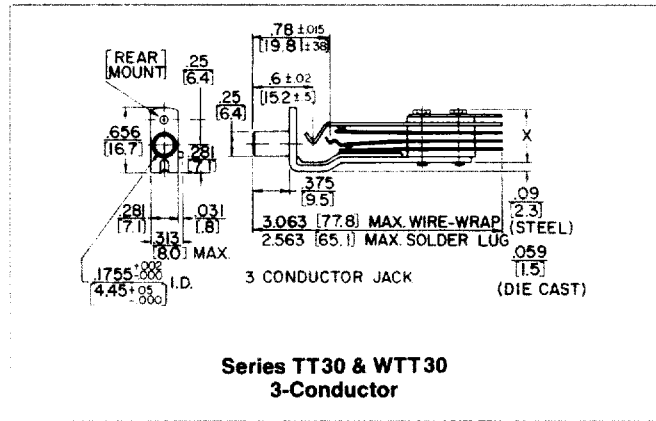
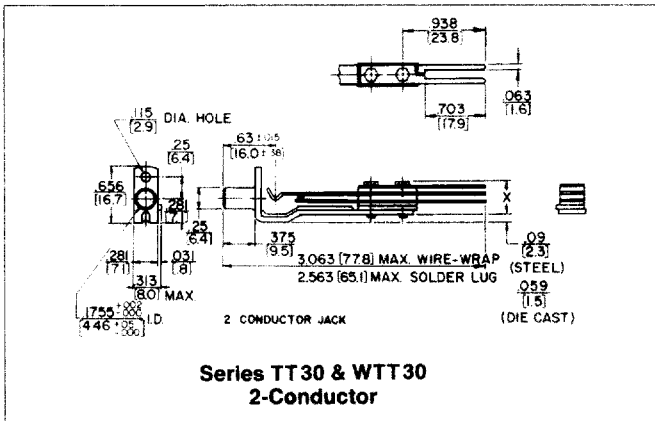


### SPECIFICATIONS

- Frame:** Plated (steel or zinc diecast).
- Stack Screws:** Steel with zinc passivate plate.
- Bushing:** Plated (brass or steel).
- Tip and Ring Springs:** Copper alloy.
- Contact Spring:** Copper alloy.
- Contacts:** Welded crossbar palladium. Other alloys in various sizes available on special order.
- Insulation:** Rigid plastic with plastic tubing through stack assembly.

### MOUNTING HARDWARE

- Series TT30:** #3-48x1/4 inch; mounting screws, **P10834**, can be ordered separately.
  - Series TT30FM:** Supplied with one #3-48x1/4 inch fil. head machine screw, steel-plated.
  - Series TT600:** Supplied with one **P1975**, nickel-plated copper alloy locknut, and one **S3997**, steel, nickel-plated washer.
- NOTE:** Dimensional drawings show panels with steel frame jacks. Overall dimensions for steel or die-cast frame jacks are the same, except as noted.



DIMENSIONS ARE FOR REFERENCE ONLY  $\frac{\text{inch}}{\text{(mm)}}$

NOTE: Contact your Switchcraft Representative for price and delivery.