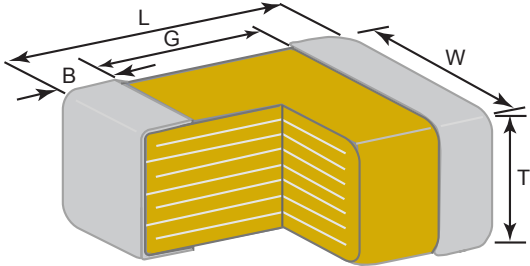
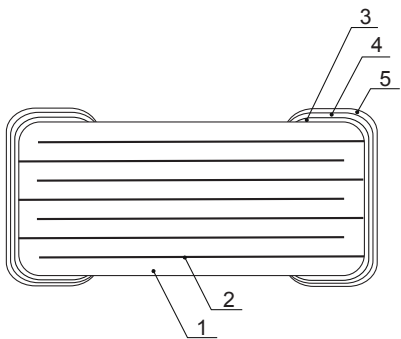


TDK MLCC Datasheet¹

TDK P/N **C1005** **X5R** **1A** **104** **K** **T** **XXXX**
1) 2) 3) 4) 5) 6) 7)

No.	Segment	Detail	Comments
1	Case Size	1.0 x 0.5 mm	See below for dimensions.
2	Temperature Characteristics	-55+85°C ± 15%	Class II ; Conforms to EIA 198
3	Rated Voltage	10 V	DC
4	Capacitance	100,000 pF	1 ± 0.2 Vrms , 1kHz ± 10%
5	Capacitance Tolerance	± 10%	Conforms to IEC 384-9
6	Packaging Style	Tape and Reel	EIA 481 Format
7	TDK internal Code	XXXX	(Internal TDK use only)
-	Dissipation Factor (DF)	4.5% max.	1 ± 0.2 Vrms , 1kHz ± 10%
-	Insulation Resistance	5000 M min.	apply rated voltage for 60s

Physical Dimensions		Material System							
									
Symbol	Dimensions (mm)	No.	Name	Material					
L	1.0 ± 0.05			Class I		Class II			
W	0.5 ± 0.05			Pd	TME	Pd	TME		
T	0.55 max.			1	Dielectric	TiO ₂	CaZrO ₃	BaTiO ₃	
B	0.15 min.			2	Electrode	Pd	Ni	Pd	Ni
G	0.35 min.			3	Termination	Ag or Ag/Pd	Cu	Ag or Ag/Pd	Cu
		4	Ni						
		5	Sn						

¹ This datasheet gives a basic overview of the multilayer ceramic capacitor as defined in the above TDK part number. A full specification (including part number construction, available capacitance ranges, packaging and caution notes) is available upon request. The information above is subject to change by TDK without any notice.