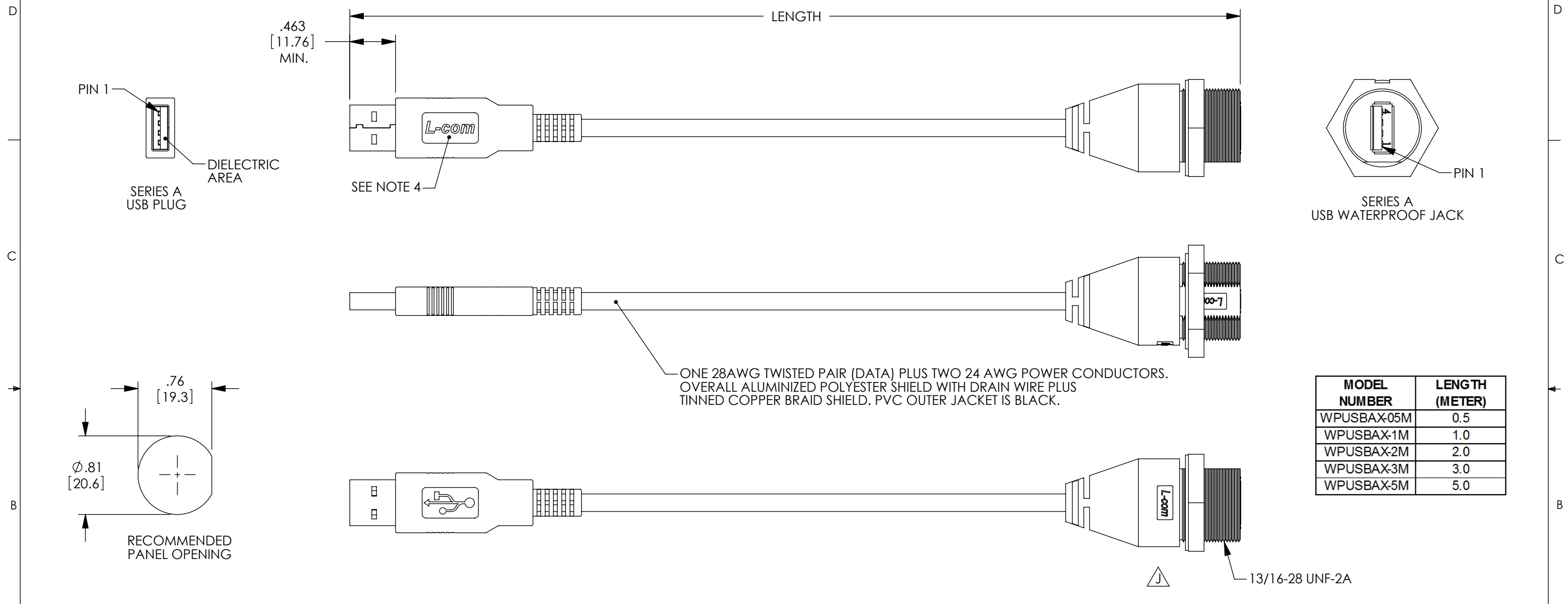


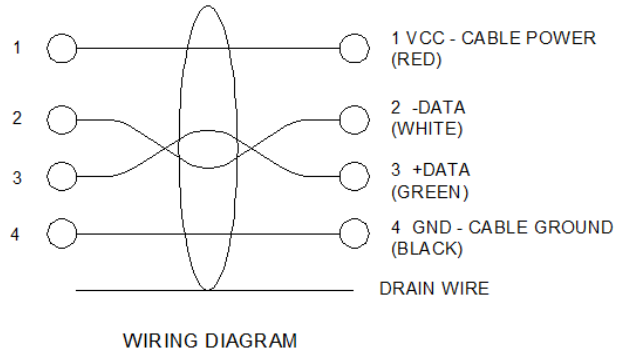
THE INFORMATION CONTAINED IN THIS DRAWING IS THE SOLE PROPERTY OF L-COM, INC. ANY REPRODUCTIONS IN PART OR WHOLE WITHOUT THE WRITTEN PERMISSION OF L-COM, INC. IS PROHIBITED.

REVISIONS			
REV	DESCRIPTION	DATE	CHANGED BY
H	ECN 4303: REVISED PACKAGING NOTE FOR PS-0031.	10/5/09	D.FRISIELLO
J	ECN 5622: ROTATED L-COM LOGO 180°	7/21/11	D. CASTRO



MODEL NUMBER	LENGTH (METER)
WPUSBAX-05M	0.5
WPUSBAX-1M	1.0
WPUSBAX-2M	2.0
WPUSBAX-3M	3.0
WPUSBAX-5M	5.0

- SPECIFICATIONS:**
1. THESE CABLE ASSEMBLIES ARE CONSTRUCTED TO MEET THE REQUIREMENTS OF THE UNIVERSAL SERIES BUS SPECIFICATION USB 2.0.
 2. CONNECTOR CONTACTS HAVE 30 MICROINCHES GOLD PLATING OVER NICKEL PLATING.
 3. THE CABLE SHIELD DRAIN WIRE IS CONNECTED TO THE METAL SHELL OF EACH PLUG.
 4. THE "L-COM" LOGO IS EMBOSSED IN A RECESSED POCKET. THE RAISED LOGO SHOULD NOT PROJECT BEYOND THE OVERMOLD SURFACE.
 5. CABLE ASSEMBLY SHALL BE TESTED FOR CONTINUITY.
 6. CABLE ASSEMBLY SHALL BE INDIVIDUALLY PACKAGED IN ACCORDANCE WITH L-COM SPECIFICATION PS-0031.



UNLESS OTHERWISE SPECIFIED, DIMENSIONS ARE IN INCHES [mm]
 OVERALL CABLE LENGTH TOLERANCE:
 ≤12 [305] = +1 [25] / -0
 >12 [305] ≤60 [1524] = +2[51] / -0
 >60 [1524] ≤120 [3048] = +4 [102] / -0
 >120 [3048] ≤300 [7620] = +6 [152] / -0
 >300 [7620] = +5% / -0%
 ALL OTHER DIMENSIONAL TOLERANCES:
 .X = ±.2
 .XX = ±.02
 .XXX = ±.005

APPROVALS	DATE
DRAWN BY C.MCCORMICK	07/29/2003
CHECKED BY D.PARHAM	07/29/2003
APPROVED BY R.CARRICK	07/29/2003

		45 BEECHWOOD DRIVE NORTH ANDOVER, MA 01845	
CATEGORY: USB			
PRODUCT DESCRIPTION: USB WATERPROOF SERIES "A" BULKHEAD TO SERIES "A" PLUG			
SIZE: B	FSCM NO.: 43321	DWG. NO.: WPUSBAX	REV.: J
SCALE: 1:1		CAD FILE: WPUSBAX.SLDDRW	
			SHEET 1 OF 1

