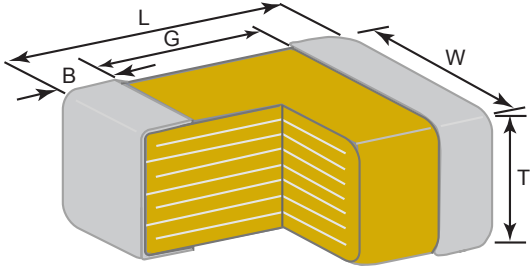
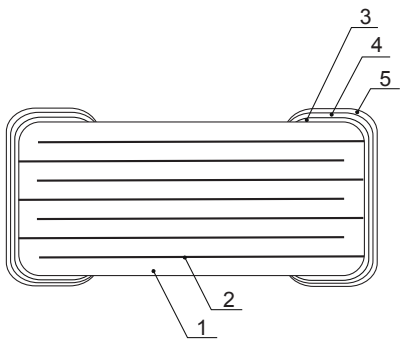


TDK MLCC Datasheet¹

TDK P/N C1005 X7R 1H 472 K T XXXX

1) 2) 3) 4) 5) 6) 7)

No.	Segment	Detail	Comments
1	Case Size	1.0 x 0.5 mm	See below for dimensions.
2	Temperature Characteristics	-55 +125°C ± 15%	Class II ; Conforms to EIA 198
3	Rated Voltage	50 V	DC
4	Capacitance	4,700 pF	1 ± 0.2 Vrms , 1kHz ± 10%
5	Capacitance Tolerance	± 10%	Conforms to IEC 384-9
6	Packaging Style	Tape and Reel	EIA 481 Format
7	TDK internal Code	XXXX	(Internal TDK use only)
-	Dissipation Factor (DF)	2.5% max.	1 ± 0.2 Vrms , 1kHz ± 10%
-	Insulation Resistance	10,000 M min.	apply rated voltage for 60s

Physical Dimensions	Material System																																																								
																																																									
<table border="1" style="width: 100%; border-collapse: collapse;"> <thead> <tr> <th style="text-align: center;">Symbol</th> <th style="text-align: center;">Dimensions (mm)</th> </tr> </thead> <tbody> <tr> <td style="text-align: center;">L</td> <td style="text-align: center;">1.0 ± 0.05</td> </tr> <tr> <td style="text-align: center;">W</td> <td style="text-align: center;">0.5 ± 0.05</td> </tr> <tr> <td style="text-align: center;">T</td> <td style="text-align: center;">0.55 max.</td> </tr> <tr> <td style="text-align: center;">B</td> <td style="text-align: center;">0.15 min.</td> </tr> <tr> <td style="text-align: center;">G</td> <td style="text-align: center;">0.35 min.</td> </tr> </tbody> </table>	Symbol	Dimensions (mm)	L	1.0 ± 0.05	W	0.5 ± 0.05	T	0.55 max.	B	0.15 min.	G	0.35 min.	<table border="1" style="width: 100%; border-collapse: collapse;"> <thead> <tr> <th rowspan="2" style="text-align: center;">No.</th> <th rowspan="2" style="text-align: center;">Name</th> <th colspan="4" style="text-align: center;">Material</th> </tr> <tr> <th colspan="2" style="text-align: center;">Class I</th> <th colspan="2" style="text-align: center;">Class II</th> </tr> <tr> <td></td> <td></td> <td style="text-align: center;">Pd</td> <td style="text-align: center;">TME</td> <td style="text-align: center;">Pd</td> <td style="text-align: center;">TME</td> </tr> </thead> <tbody> <tr> <td style="text-align: center;">1</td> <td style="text-align: center;">Dielectric</td> <td style="text-align: center;">TiO2</td> <td style="text-align: center;">CaZrO3</td> <td colspan="2" style="text-align: center;">BaTiO3</td> </tr> <tr> <td style="text-align: center;">2</td> <td style="text-align: center;">Electrode</td> <td style="text-align: center;">Pd</td> <td style="text-align: center;">Ni</td> <td style="text-align: center;">Pd</td> <td style="text-align: center;">Ni</td> </tr> <tr> <td style="text-align: center;">3</td> <td rowspan="3" style="text-align: center;">Termination</td> <td style="text-align: center;">Ag or Ag/Pd</td> <td style="text-align: center;">Cu</td> <td style="text-align: center;">Ag or Ag/Pd</td> <td style="text-align: center;">Cu</td> </tr> <tr> <td style="text-align: center;">4</td> <td colspan="4" style="text-align: center;">Ni</td> </tr> <tr> <td style="text-align: center;">5</td> <td colspan="4" style="text-align: center;">Sn</td> </tr> </tbody> </table>	No.	Name	Material				Class I		Class II				Pd	TME	Pd	TME	1	Dielectric	TiO2	CaZrO3	BaTiO3		2	Electrode	Pd	Ni	Pd	Ni	3	Termination	Ag or Ag/Pd	Cu	Ag or Ag/Pd	Cu	4	Ni				5	Sn			
Symbol	Dimensions (mm)																																																								
L	1.0 ± 0.05																																																								
W	0.5 ± 0.05																																																								
T	0.55 max.																																																								
B	0.15 min.																																																								
G	0.35 min.																																																								
No.	Name	Material																																																							
		Class I		Class II																																																					
		Pd	TME	Pd	TME																																																				
1	Dielectric	TiO2	CaZrO3	BaTiO3																																																					
2	Electrode	Pd	Ni	Pd	Ni																																																				
3	Termination	Ag or Ag/Pd	Cu	Ag or Ag/Pd	Cu																																																				
4		Ni																																																							
5		Sn																																																							

¹ This datasheet gives a basic overview of the multilayer ceramic capacitor as defined in the above TDK part number. A full specification (including part number construction, available capacitance ranges, packaging and caution notes) is available upon request. The information above is subject to change by TDK without any notice.