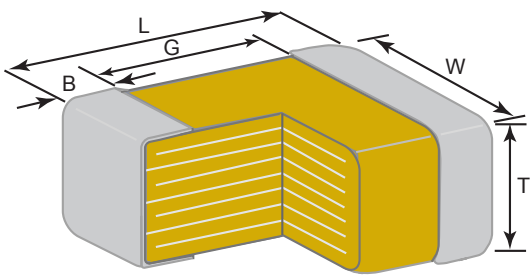
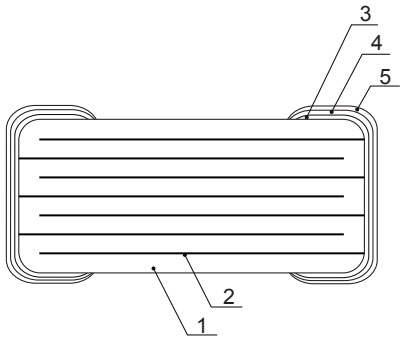


# TDK MLCC Datasheet<sup>1</sup>

TDK P/N **C1608** **X5R** **1A** **474** **K** **T** **XXXX**  
1) 2) 3) 4) 5) 6) 7)

No.	Segment	Detail	Comments
1	Case Size	1.6 x 0.8 mm	See below for dimensions.
2	Temperature Characteristics	-55+85°C ± 15%	Class II ; Conforms to EIA 198
3	Rated Voltage	10V	DC
4	Capacitance	470,000 pF	1.0 ± 0.2 Vrms , 1kHz ± 10%
5	Capacitance Tolerance	± 10%	Conforms to IEC 384-9
6	Packaging Style	Tape and Reel	EIA 481 Format
7	TDK internal Code	XXXX	(Internal TDK use only)
-	Dissipation Factor (DF)	0.075 max.	1.0 ± 0.2 Vrms , 1kHz ± 10%
-	Insulation Resistance	212 MΩ min.	apply rated voltage for 60s

Condition for life : Apply rated voltage at maximum operating temperature +/-2C for 1,000+48, 0h.

Physical Dimensions		Material System																					
																							
Symbol	Dimensions (mm)	No.	Name	Material																			
L	1.6 ± 0.15			Class I		Class II																	
W	0.8 ± 0.15			Pd	TME	Pd	TME																
T	1.0 Max.			1 Dielectric																			
B	0.2 min.			2 Electrode																			
G	0.5 min.			3 Termination																			
		<table border="1"> <tr> <td colspan="2">Ag or Ag/Pd</td> <td>Cu</td> <td colspan="2">Ag or Ag/Pd</td> <td>Cu</td> </tr> <tr> <td colspan="2">4</td> <td colspan="4">Ni</td> </tr> <tr> <td colspan="2">5</td> <td colspan="4">Sn</td> </tr> </table>				Ag or Ag/Pd		Cu	Ag or Ag/Pd		Cu	4		Ni				5		Sn			
Ag or Ag/Pd		Cu	Ag or Ag/Pd		Cu																		
4		Ni																					
5		Sn																					

<sup>1</sup> This datasheet gives a basic overview of the multilayer ceramic capacitor as defined in the above TDK part number. A full specification (including part number construction, available capacitance ranges, packaging and caution notes) is available upon request. The information above is subject to change by TDK without any notice.