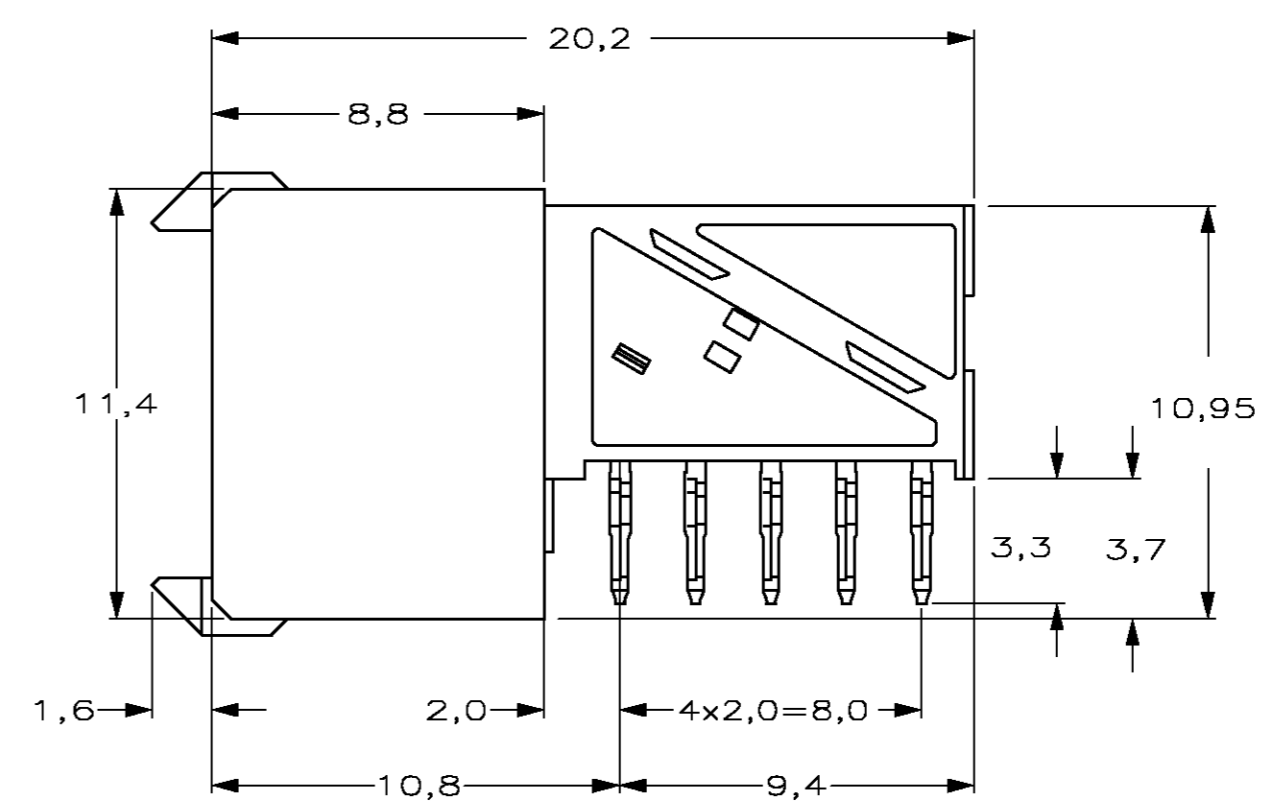
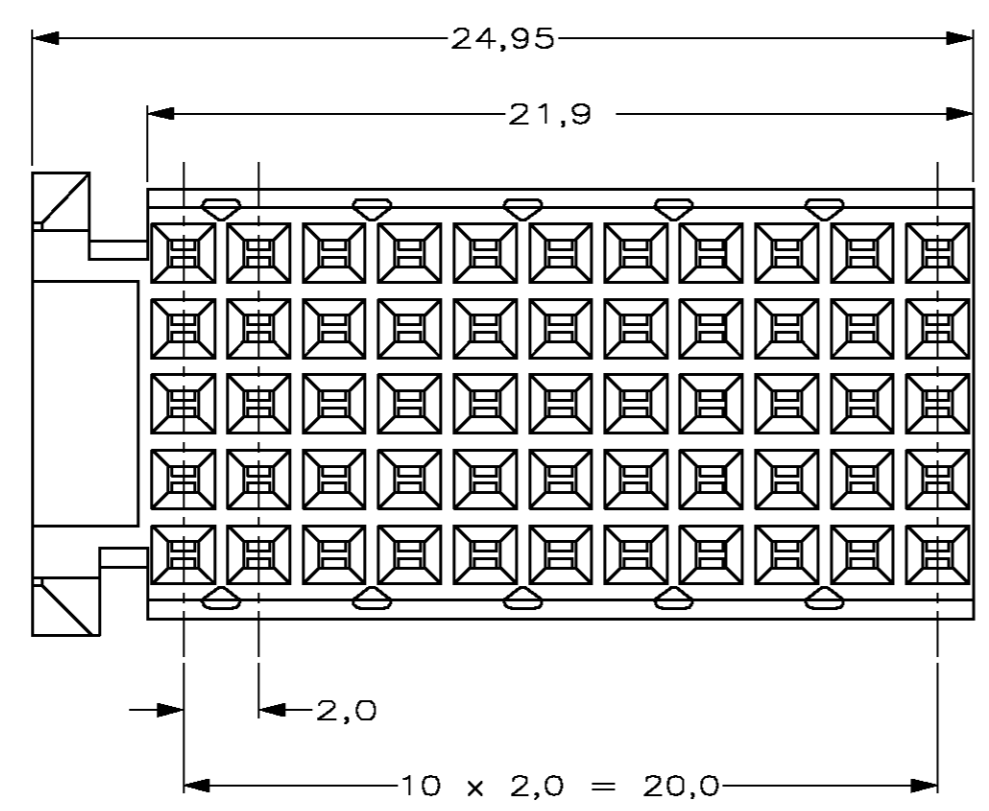
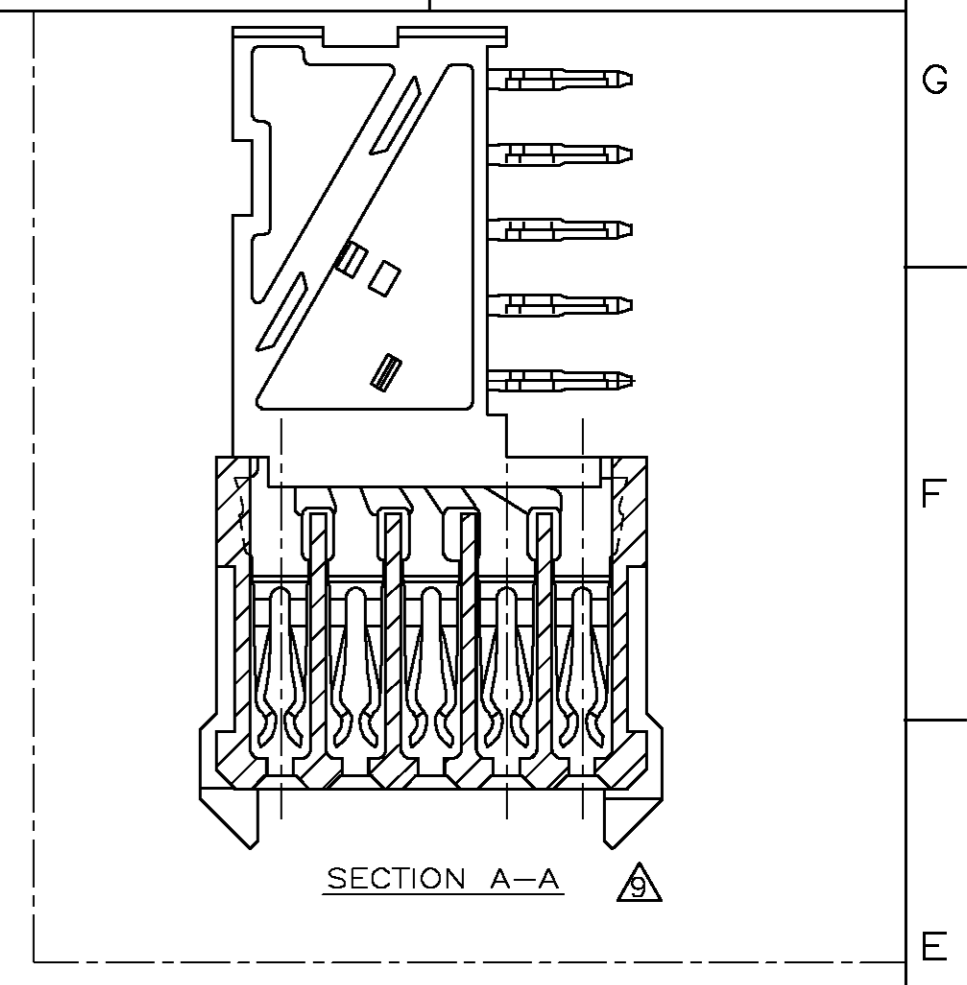
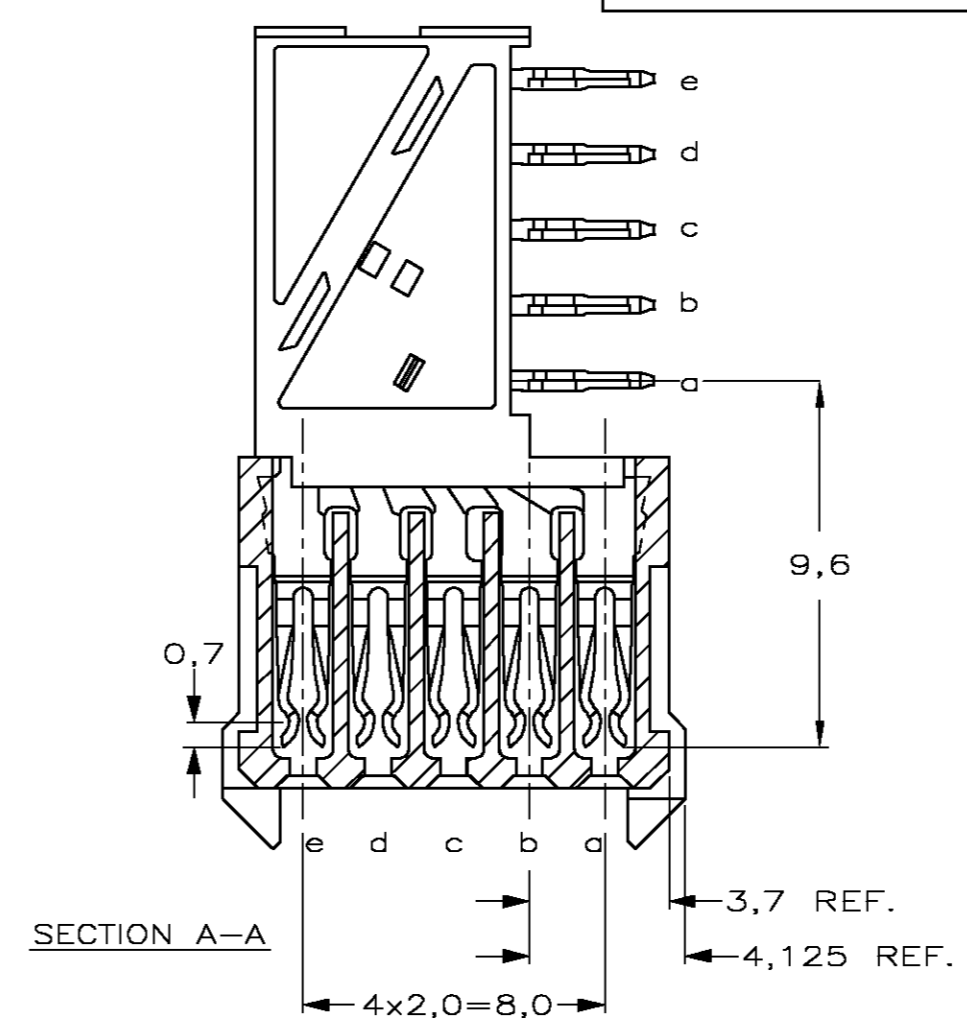
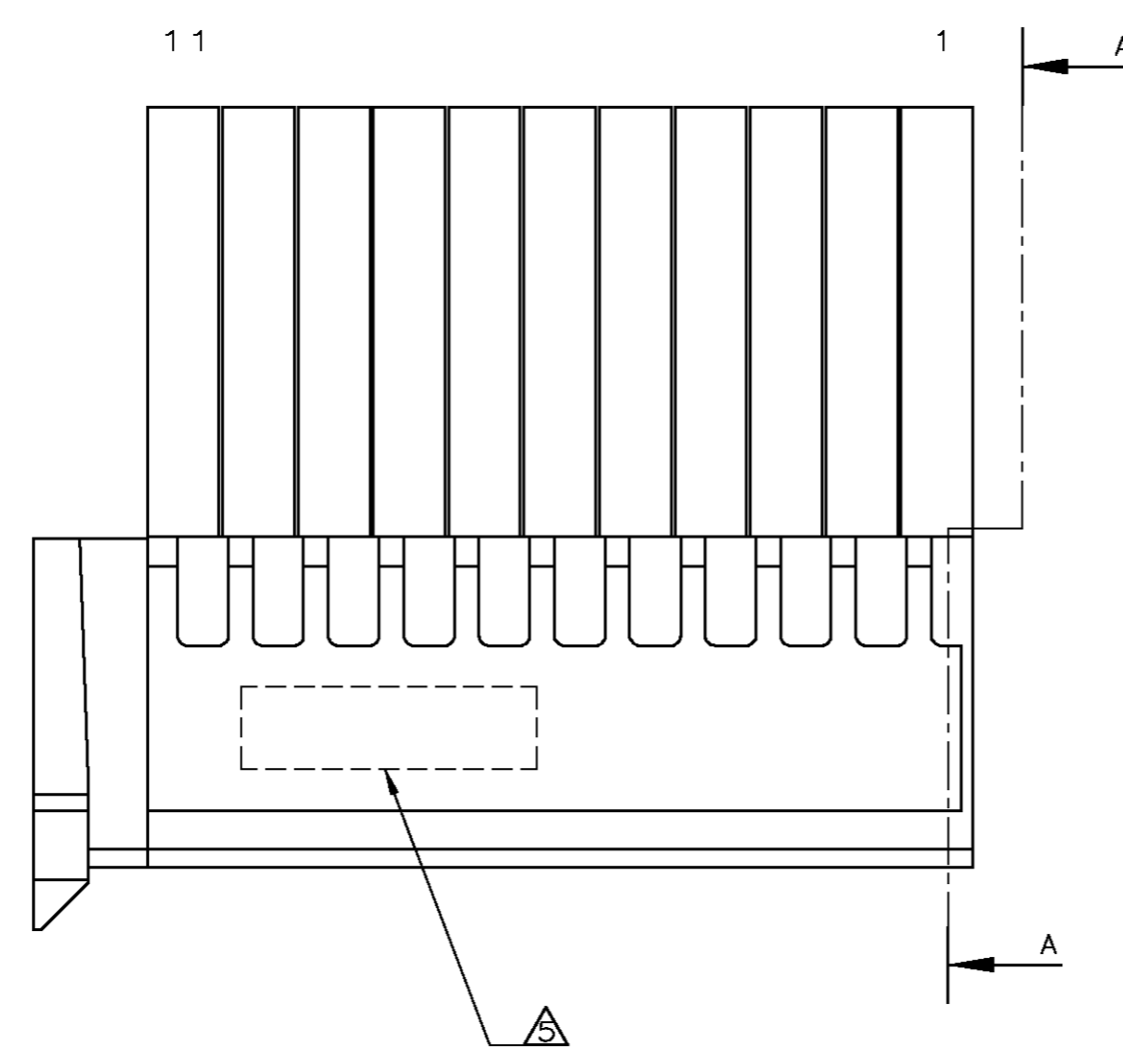
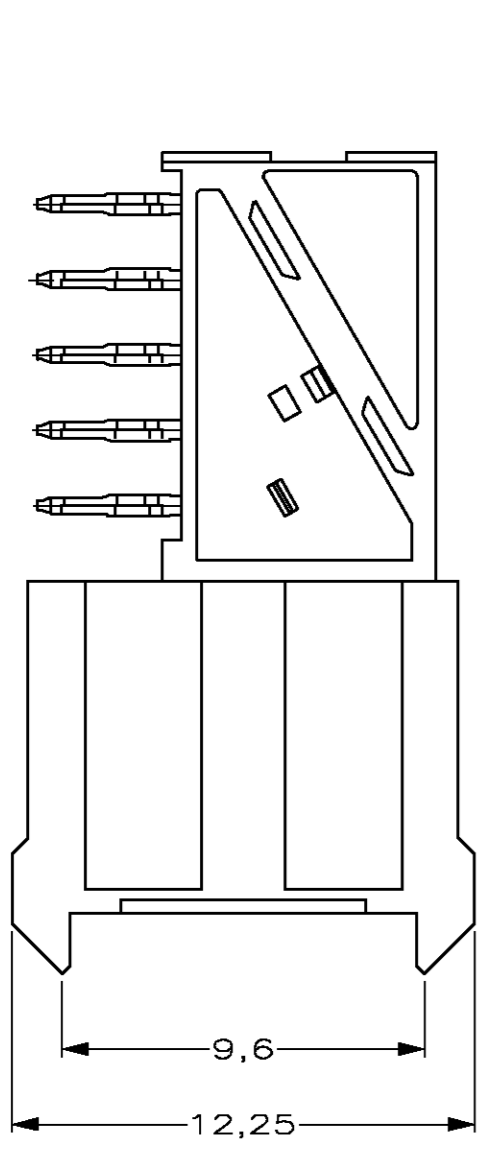


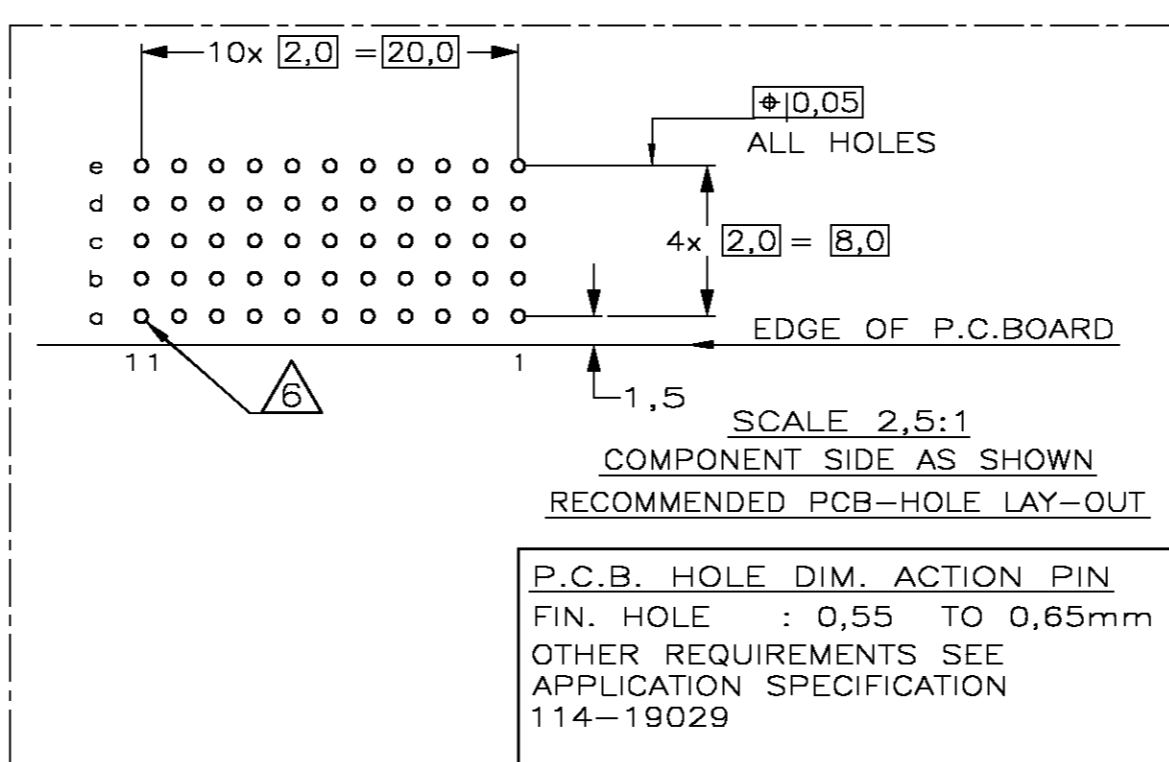
DO NOT SCALE
DIMENSIONS IN mm

METRIC

THIRD ANGLE
PROJECTION



- NOTES:**
- ⚠ PLATING CONTACT AREA: 0,76µm Au MIN. OVER 1,27µm Ni MIN.
ACTION PIN, 0,5µm Sn MIN. OVER 1,27µm Ni MIN.
 - ⚠ PLATING CONTACT AREA: 2,0µm Au MIN. OVER 1,27µm Ni MIN.
ACTION PIN, 0,5µm Sn MIN. OVER 1,27µm Ni MIN.
 - ⚠ PLATING CONTACT AREA: 1,27µm Au MIN. OVER 1,27µm Ni MIN.
ACTION PIN, 0,5µm Sn MIN. OVER 1,27µm Ni MIN.
 - ⚠ MATERIAL CONTACT; PHOSPHORBRONZE
MATERIAL HOUSING; GLASSFILLED POLYESTER (GRAY)
UL-RATING 94V0.
 - ⚠ CONNECTOR PRINTED WITH PARTNUMBER AND DATECODE
THE MARKING CAN APPEAR ON THE FRONT SIDE OR ON THE BACK SIDE.
 - ⚠ PLATED-THROUGH HOLES AT 2x2mm SQUARE GRID. 55 HOLES
 - ⚠ CONNECTOR LUBRICATED WITH BELLCORE
APPROVED LUBRICANT. TECHNICAL REFERENCE:
TR-NWT-001217 ISSUE 1, SEPT. 1992.
CONNECTOR TESTED AND QUALIFIED AGAINST BELLCORE
QUALITY LEVEL III, CENTRAL OFFICE APPLICATIONS.
 - 8 FITS WITH INTEGRATED GROUND RETURN UPPERSHIELD, BASIC P.N. 352111
AND INTEGRATED GROUND RETURN LOWERSHIELD, BASIC P.N. 352112
 - ⚠ CONNECTOR ASSEMBLED WITH REDESIGNED CONTACTS.
CONTACTS HAVE A CORING-OUT IN THE PLASTIC.



FINISH	MATERIAL	PARTNUMBER
⚠	⚠	1-100161-9
⚠	⚠	100161-9
⚠	⚠	100161-4
⚠	⚠	100161-3
⚠	⚠	100161-1

REV.	DATE	APP.	CHK.	DATE	DR.	NAME
K	23-MAY-03	DP	DP	23-MAY-03	DP	SR10-0117-03
J	29-MAY-01	DKB	DP	29-MAY-01	DKB	SR10-0090-01
H	6 MAY'97	LvdH	WvdH	6 MAY'97	LvdH	EH-0436-97
G	20-01-97	FvK	WvdH	20-01-97	FvK	EH-0816-96
F	17-JUL-95	S.E.	BM	17-JUL-95	S.E.	EH-0884-95
E	07-APR-95	JvdK	BM	07-APR-95	JvdK	EH-0439-95
D	05-JAN-95	JvdK	BM	05-JAN-95	JvdK	H-9267

DR.	DATE	CHK.	DATE	APP.	DATE	DWG.No.	REV.	LTR.	SHEET
F.v.KONINGSBRUGGE	20-01-97	W. v.d. HEIJDEN	20-01-97	F.v.KONINGSBRUGGE	-	C-100161	K	10F 1	A2