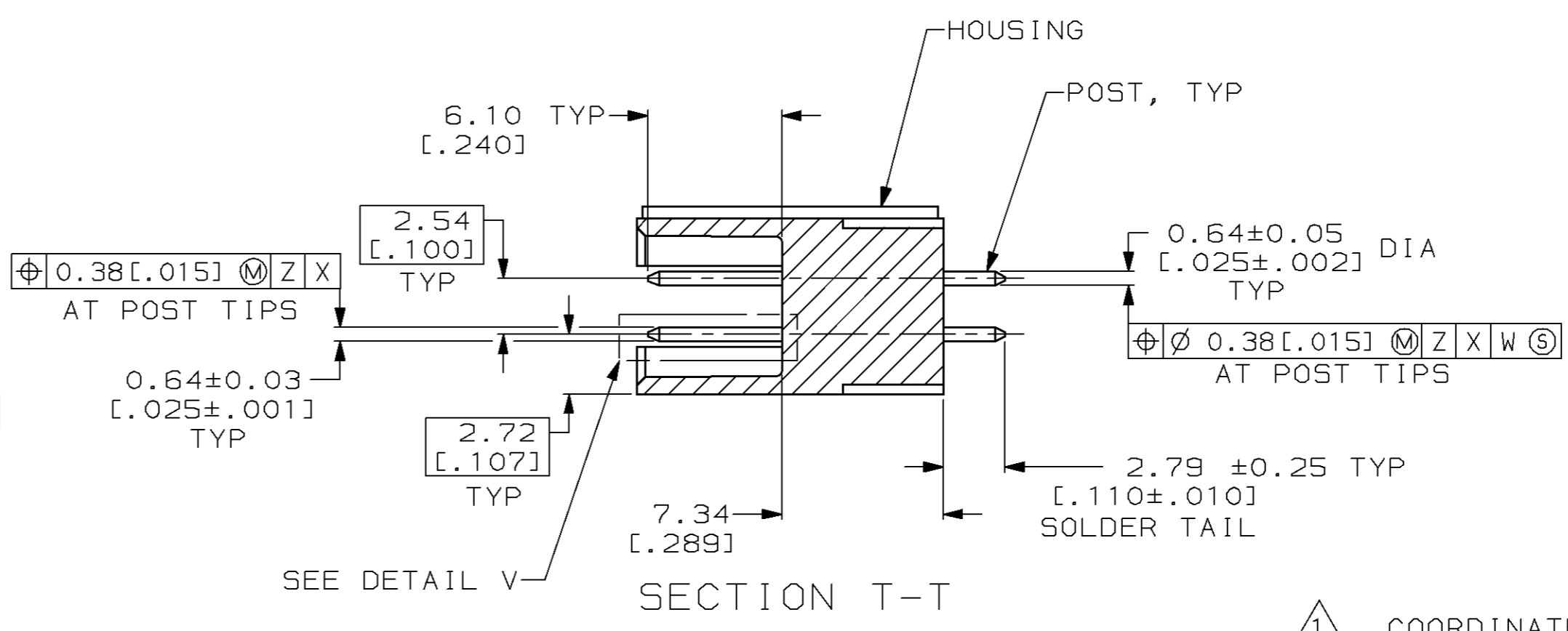
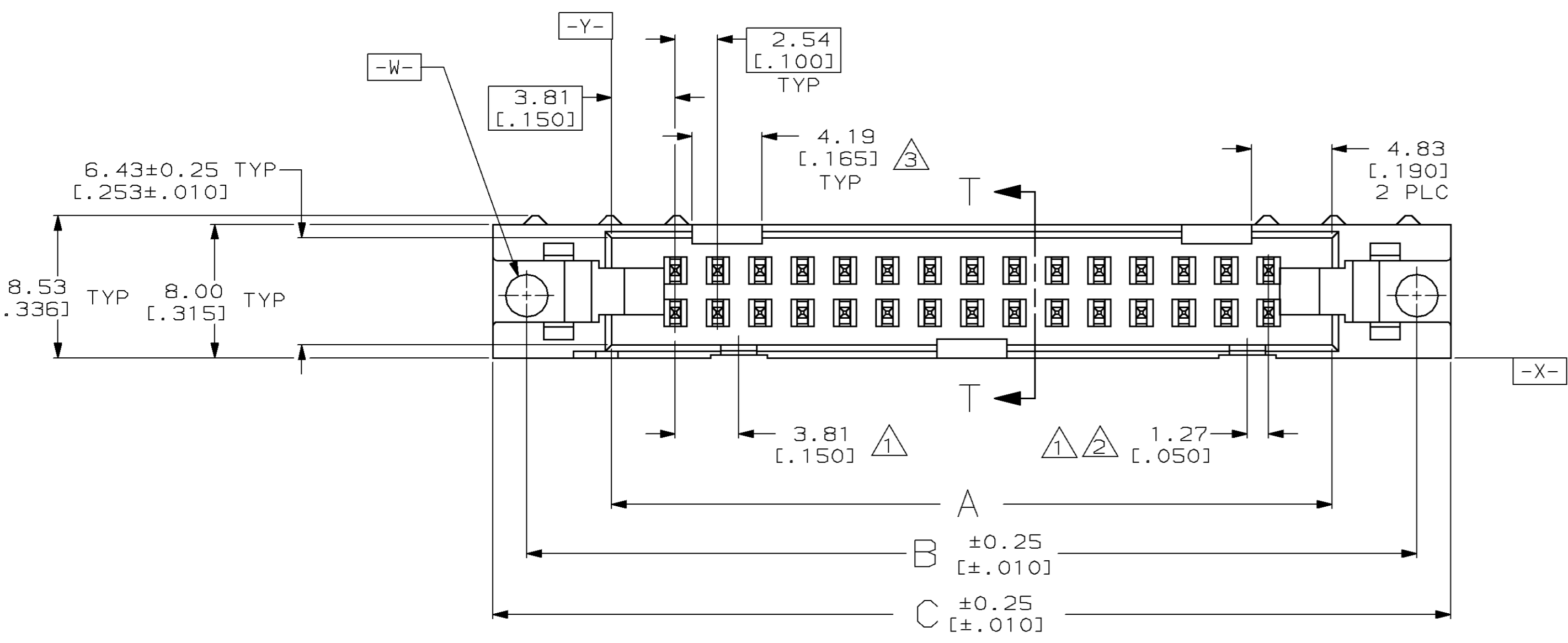
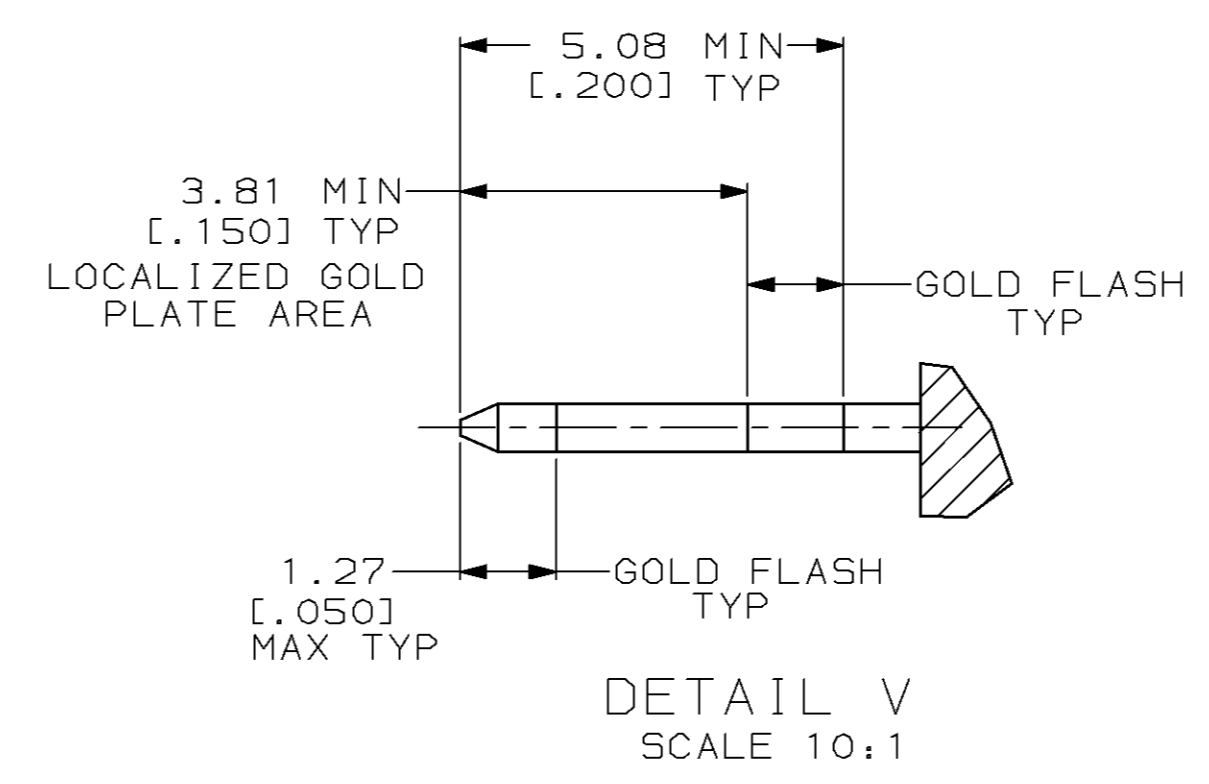
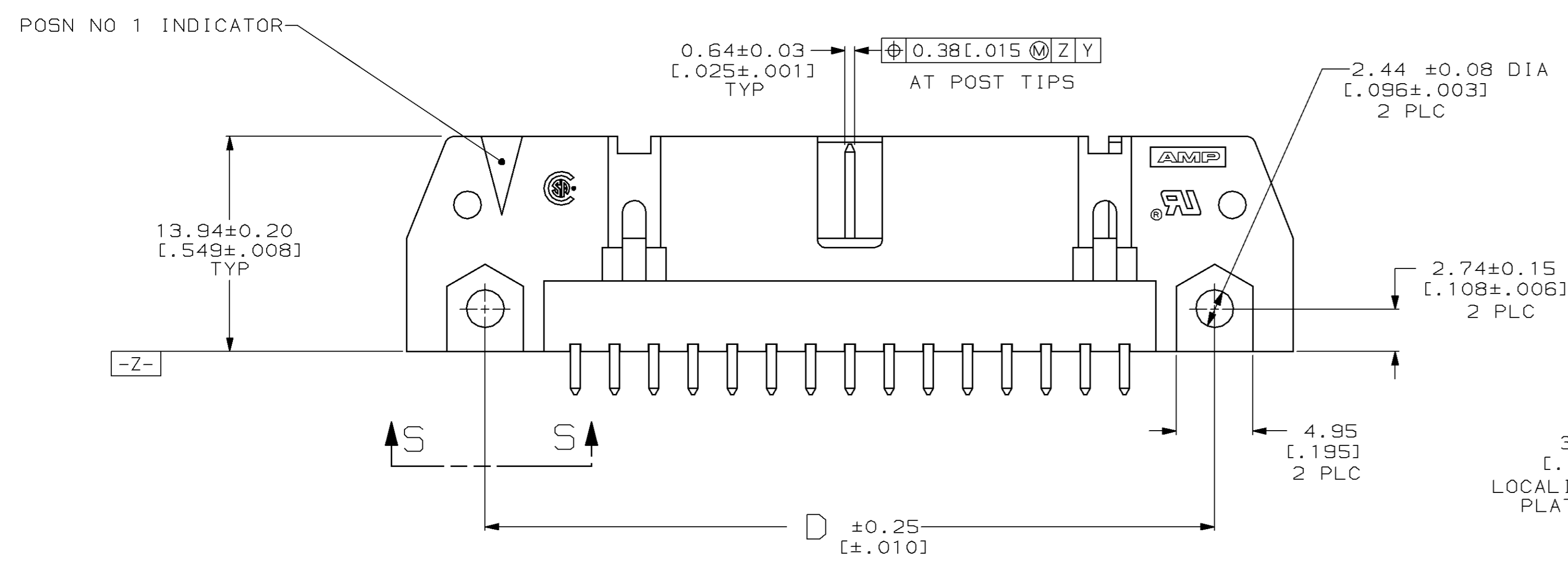


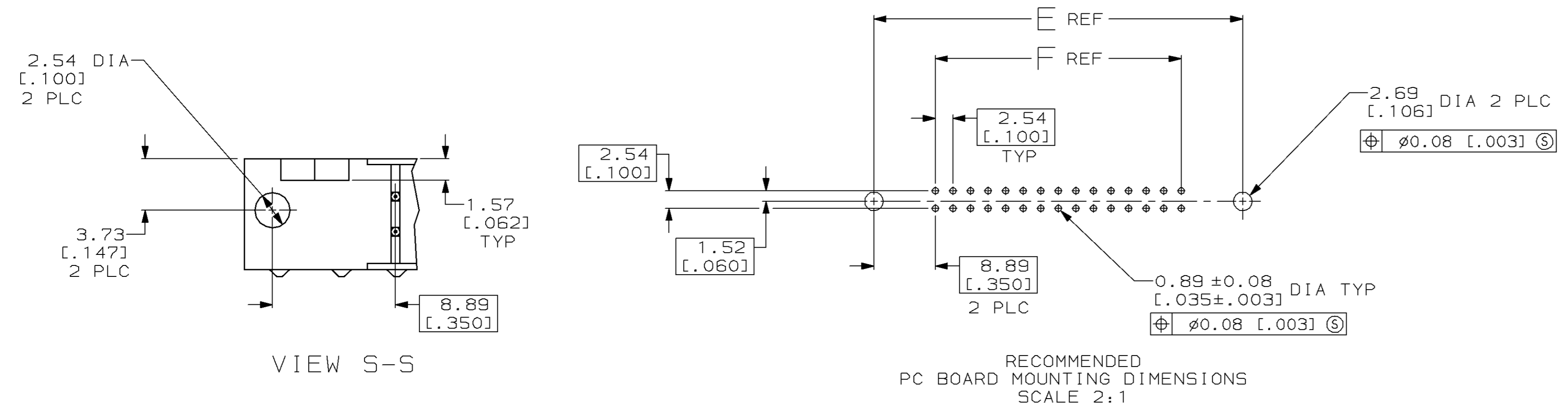
LOC		DIST		REV		REVISIONS		DATE	APPD
AD	51	P	F	ZONE	LTR	DESCRIPTION			
				G		REV&REDRAWN PER ECN 803606&CF1329		4-23-90	-
				H		OBS -14 PER EC 0020-0897-94		04/25/95	DK
				J		PER EC 0020-0330-96	T.S.	9-25-96	HR



- △ COORDINATE DIMENSION APPLIES FROM BASIC LOCATION.
- △ 8, 10 AND 14 POSITION SIZES CONTAIN ONLY ONE SLOT FOR SNAP-IN POLARIZER (MILITARY POLARIZATION) LOCATED AS SHOWN.
- △ 8 AND 10 POSITION SIZES CONTAIN ONLY ONE SLOT FOR DUAL POLARIZATION, LOCATED AS SHOWN.
- 4. RECOMMENDED PRINTED CIRCUIT BOARD THICKNESS IS 1.57 [.062].



OBsolete	7.62	25.40	19.30	29.46	25.40	15.24	8	1-102154-4
	[.300]	[1.000]	[.760]	[1.160]	[1.000]	[.600]		
	53.34	71.12	65.02	75.18	71.12	60.96	44	1-102154-3
	[2.100]	[2.800]	[2.560]	[2.960]	[2.800]	[2.400]		
	78.74	96.52	90.42	100.58	96.52	86.36	64	1-102154-2
	[3.100]	[3.800]	[3.560]	[3.960]	[3.800]	[3.400]		
	73.66	91.44	85.34	95.50	91.44	81.28	60	1-102154-1
	[2.900]	[3.600]	[3.360]	[3.760]	[3.600]	[3.200]		
	60.96	78.74	72.64	82.80	78.74	68.58	50	1-102154-0
	[2.400]	[3.100]	[2.860]	[3.260]	[3.100]	[2.700]		
	48.26	66.04	59.94	70.10	66.04	55.88	40	102154-9
	[1.900]	[2.600]	[2.360]	[2.760]	[2.600]	[2.200]		
	40.64	58.42	52.32	62.48	58.42	48.26	34	102154-8
	[1.600]	[2.300]	[2.060]	[2.460]	[2.300]	[1.900]		
	35.56	53.34	47.24	57.40	53.34	43.18	30	102154-7
	[1.400]	[2.100]	[1.860]	[2.260]	[2.100]	[1.700]		
	30.48	48.26	42.16	52.32	48.26	38.10	26	102154-6
	[1.200]	[1.900]	[1.660]	[2.060]	[1.900]	[1.500]		
	27.94	45.72	39.62	49.78	45.72	35.56	24	102154-5
	[1.100]	[1.800]	[1.560]	[1.960]	[1.800]	[1.400]		
	22.86	40.64	34.54	44.70	40.64	30.48	20	102154-4
	[.900]	[1.600]	[1.360]	[1.760]	[1.600]	[1.200]		
	17.78	35.56	29.46	39.62	35.56	25.40	16	102154-3
	[.700]	[1.400]	[1.160]	[1.560]	[1.400]	[1.000]		
	15.24	33.02	26.92	37.08	33.02	22.86	14	102154-2
	[.600]	[1.300]	[1.060]	[1.460]	[1.300]	[.900]		
	10.16	27.94	21.84	32.00	27.94	17.78	10	102154-1
	[.400]	[1.100]	[.860]	[1.260]	[1.100]	[.700]		
	F	E	D	C	B	A	NO OF POSN	PART NUMBER



DO NOT SCALE PRINT. UNLESS SPECIFIED DIMENSIONS IN mm [INCHES] TOLERANCES ON: 2 PLC DEC ± 0.13[.005] 3 PLC DEC ± - ANGLES ± -

MATERIAL HOUSING: GLASS FILLED NYLON OR POLYESTER, 94V-0 RATED; BLACK POSTS: PH BRZ OR BRASS

FINISH POSTS: 0.76µm [0.00030] MIN GOLD ON LOCALIZED GOLD PLATE AREA, 2.54µm [0.00100] MIN BRIGHT TIN-LEAD ON SOLDER TAIL, ALL OVER 1.27µm [0.00050] MIN NICKEL ON ENTIRE POST

DR 4-23-90 H.MOLL
 CHK 11-28-90 R.STONE
 APPD 11-29-90 S.GOOD
 APPD 11-26-90 D.HOFFMAN
 PRODUCT SPEC 108-40018
 APPLICATION SPEC -
 WEIGHT -

AMP INCORPORATED Harrisburg, Pa. 17105

NAME: HEADER ASSY, UNIVERSAL, AMP-LATCH™

SIZE: D CAGE CODE: 00779 DRAWING NO: 102154
 SCALE: 4:1 SHEET: 1 OF 1