



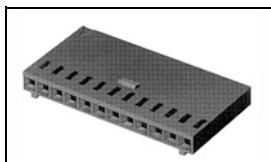
Have a Question?
 Chat with a Product
 Information Specialist

What can we help you find?

[Products](#) |
 [Industries](#) |
 [Resources](#) |
 [About TE](#) |
 [My Account](#) |
 [Innovation](#) |
 [Support Center](#)

102241-7 Product Details

[Share](#) |
 [Print](#) |
 [Email](#)



102241-7

TE Internal Number: 102241-7

Active

View 3D PDF

.100 AMPMODU Headers, Housings & Contacts

Always EU RoHS/ELV Compliant (Statement of Compliance)

Product Highlights:

- Connector
- Housing
- Connector Style = Receptacle
- Contact Type = Socket
- 2.54 mm Centerline

[View all Features](#)

Quick Links

- ▶ [Pricing & Availability](#)
- ▶ [Search for Tooling](#)
- ▶ [Product Feature Selector](#)
- ▶ [Contact Us About This Product](#)

[Add to My Part List](#) |
 [Request Sample](#) |
 [Find Similar Products](#) |
 [Buy Product](#)

Documentation & Additional Information

Product Drawings:

- [CONN HOUSING, CRIMP SNAP-IN MOD IV, SINGLE ROW,.100 ...](#) (PDF, English)

Catalog Pages/Data Sheets:

- [AMPMODU_INTERCONNECTION_SYSTEM_SECTION5_CONT](#) (PDF, English)

Product Specifications:

- [AMPMODU Mod 1/2 Wire to Board Standard Pressure Cont...](#) (PDF, English)

Application Specifications:

- None Available

Instruction Sheets:

- None Available

CAD Files: (CAD Format & Compression Information)

- [2D Drawing](#) (DXF, Version N1)
- [3D Model](#) (IGES, Version N1)
- [3D Model](#) (STEP, Version N1)

[List all Documents](#)

Additional Information:

- [Product Line Information](#)

Related Products:

- [Tooling](#)

Product Features (Please use the Product Drawing for all design activity)

Product Type Features:

- Product Type = Connector
- Connector Type = Housing
- Termination Method to Wire/Cable = Crimp
- Mating Connector Lock = With
- Strain Relief = Without
- Connector Series = Mod IV
- Keyed = No
- Flame Retardant = Yes
- Mating Connector Lock Type = Detent Latching

Electrical Characteristics:

- Contact - Rated Current (A) = 3
- Voltage Rating (VAC) = 250
- Termination Resistance (mΩ) = 12
- Insulation Resistance (MΩ) = 5,000
- Dielectric Withstanding Voltage (V) = 750

Contact Features:

- Contact Type = Socket

Housing Features:

- Connector Style = Receptacle
- Centerline (mm [in]) = 2.54 [0.100]
- Mating Alignment = With
- Mating Alignment Type = Latched
- Housing Color = Black
- UL Flammability Rating = UL 94V-0
- Housing Material = Nylon

Configuration Features:

- Number of Positions = 9
- Number of Rows = 1
- Housing Configuration = Both Ends Closed

Industry Standards:

- RoHS/ELV Compliance = RoHS compliant, ELV compliant
- Lead Free Solder Processes = Not relevant for lead free process
- RoHS/ELV Compliance History = Always was RoHS compliant
- Approved Standards = UL E28476, CSA LR7189

Identification Marking:

- AMP Logo = With

Environmental:

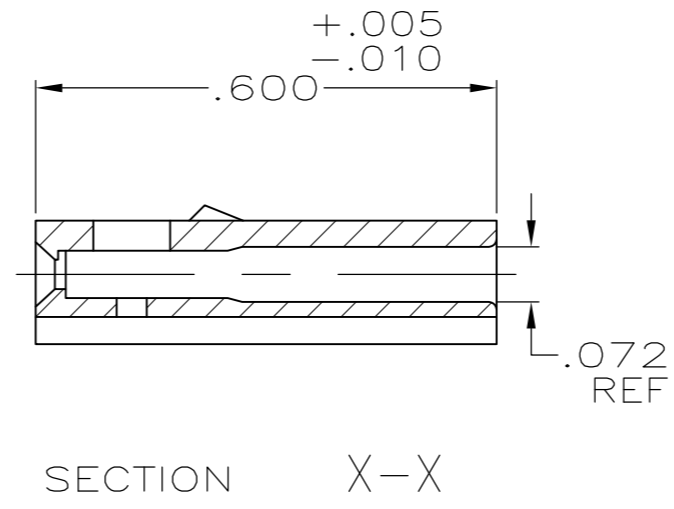
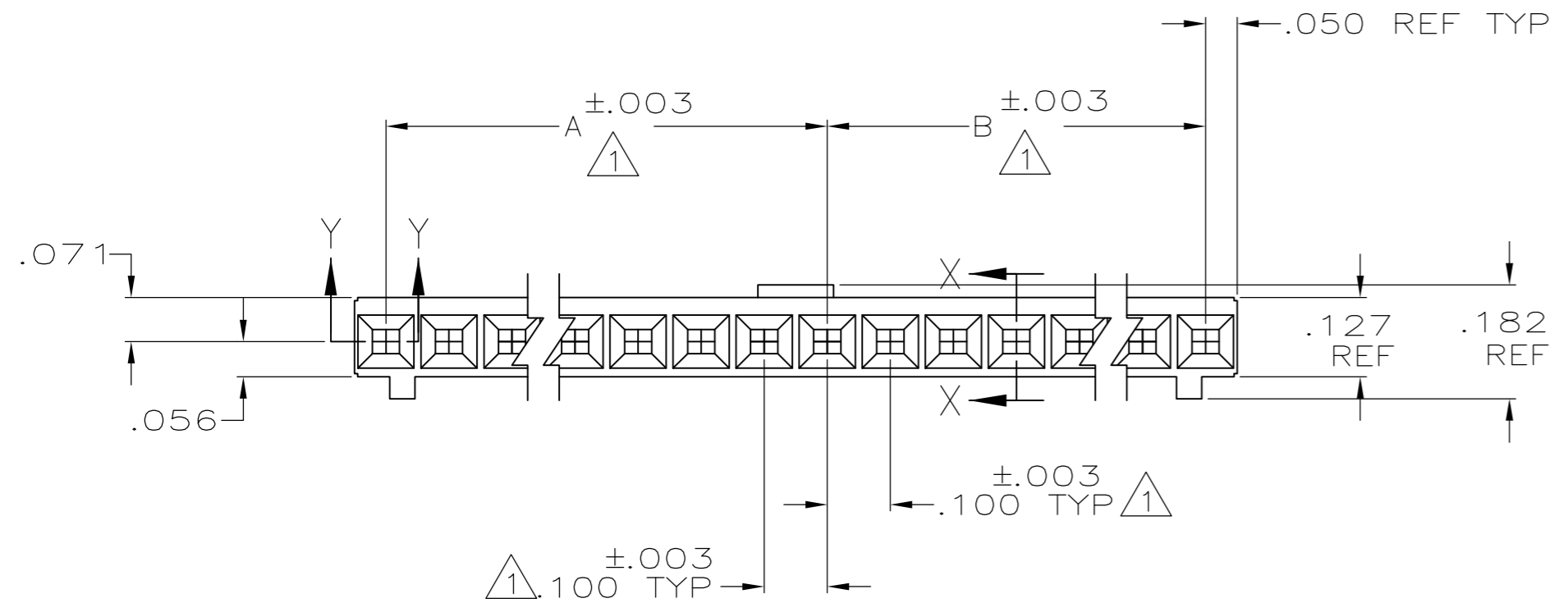
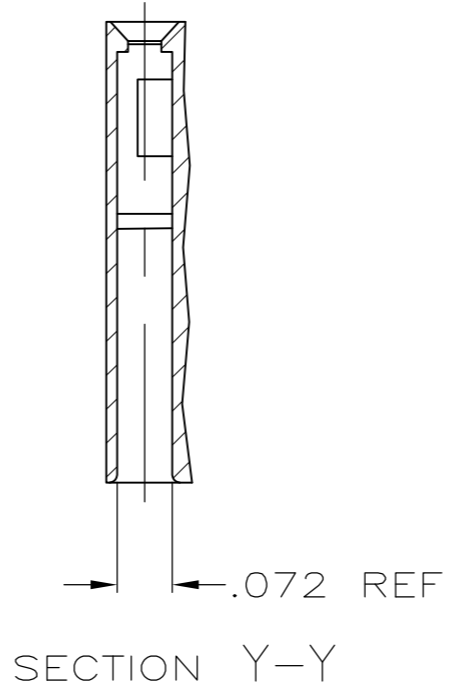
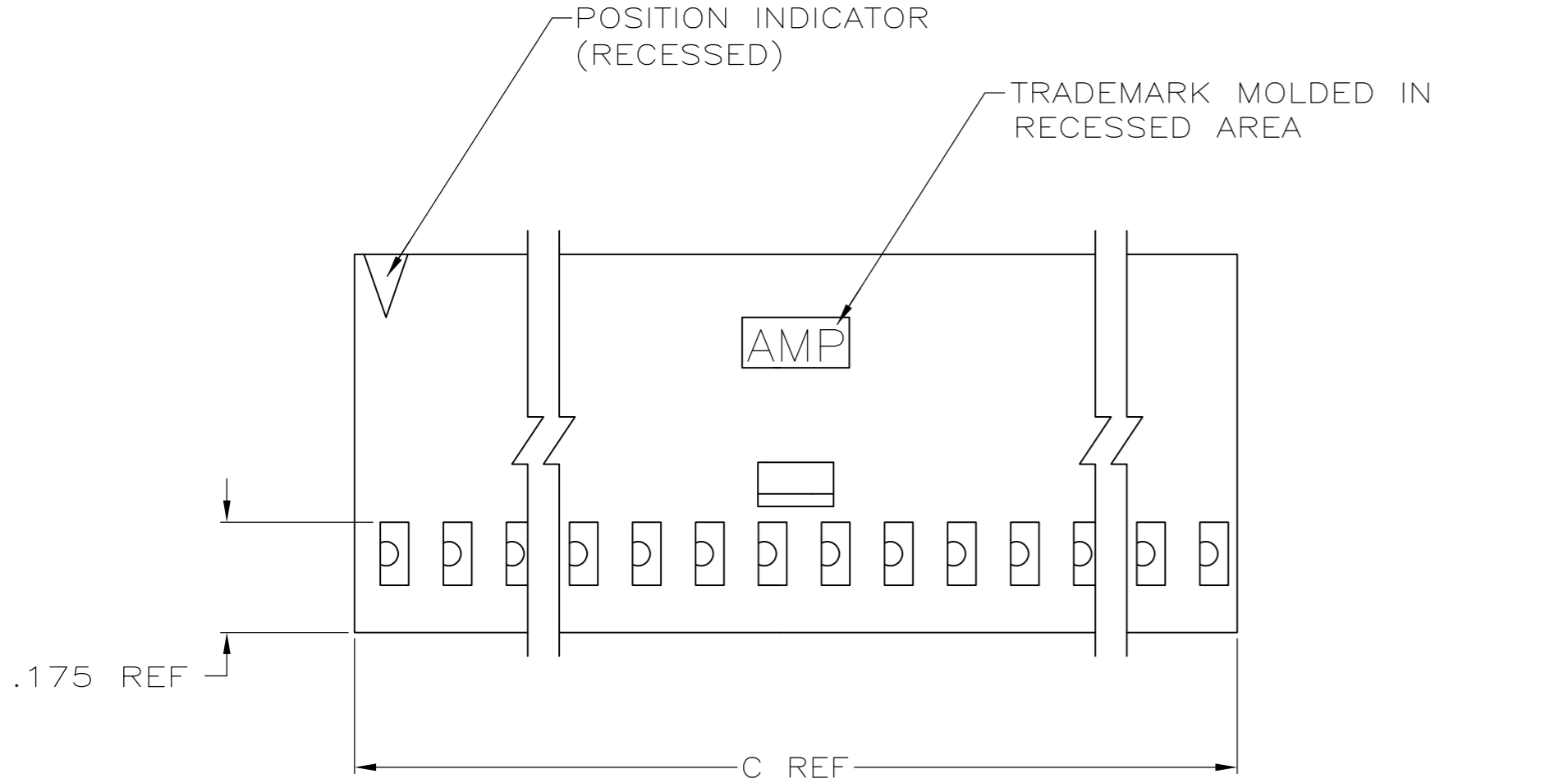
- Operating Temperature (°C) = -65 - +105

Other:

- Brand = AMP

THIS DRAWING IS UNPUBLISHED. RELEASED FOR PUBLICATION
 © COPYRIGHT - By - ALL RIGHTS RESERVED.

LOC	DIST	REVISIONS			
P	LTR	DESCRIPTION	DATE	DWN	APVD
AD	39				
	N3	REVISED PER ECO-11-004587	11MAR11	RK	HMR



3	C	B	A	NO OF POS	PART NUMBER
3	3.600	1.700	1.800	36	3-102241-4
3	3.500	1.700	1.700	35	3-102241-3
3	3.400	1.600	1.700	34	3-102241-2
3	3.300	1.600	1.600	33	3-102241-1
3	3.200	1.500	1.600	32	3-102241-0
3	3.100	1.500	1.500	31	2-102241-9
3	3.000	1.400	1.500	30	2-102241-8
3	2.900	1.400	1.400	29	2-102241-7
3	2.800	1.300	1.400	28	2-102241-6
3	2.700	1.300	1.300	27	2-102241-5
3	2.600	1.200	1.300	26	2-102241-4
3	2.500	1.200	1.200	25	2-102241-3
3	2.400	1.100	1.200	24	2-102241-2
3	2.300	1.100	1.100	23	2-102241-1
3	2.200	1.000	1.100	22	2-102241-0
3	2.100	1.000	1.000	21	1-102241-9
3	2.000	.900	1.000	20	1-102241-8
3	1.900	.900	.900	19	1-102241-7
3	1.800	.800	.900	18	1-102241-6
3	1.700	.800	.800	17	1-102241-5
3	1.600	.700	.800	16	1-102241-4
3	1.500	.700	.700	15	1-102241-3
3	1.400	.600	.700	14	1-102241-2
3	1.300	.600	.600	13	1-102241-1
3	1.200	.500	.600	12	1-102241-0
3	1.100	.500	.500	11	102241-9
3	1.000	.400	.500	10	102241-8
3	.900	.400	.400	9	102241-7
3	.800	.300	.400	8	102241-6
3	.700	.300	.300	7	102241-5
3	.600	.200	.300	6	102241-4
3	.500	.200	.200	5	102241-3
3	.400	.100	.200	4	102241-2
3	.300	.100	.100	3	102241-1

- 1 CAVITY LOCATION DIMENSIONS INCREASE IN INCREMENTS OF .100 TOLERANCE NON-CUMULATIVE
- 2 USE EXTRACTION TOOL 91052-1 TO REMOVE RECEPTACLE CONTACTS
- 3 OBSOLETE PARTS: OBSOLETE CIS STREAMLINING PER D.RENAUD/D.SINISI

THIS DRAWING IS A CONTROLLED DOCUMENT.		DWN D FABIAN 8-2-78	TE Connectivity	
DIMENSIONS: INCHES		CHK B WOLFE 10-27-78	APVD -	
TOLERANCES UNLESS OTHERWISE SPECIFIED:		NAME		
0 PLC ± -		PRODUCT SPEC		
1 PLC ± -		APPLICATION SPEC		
2 PLC ± -		WEIGHT		
3 PLC ± .005		SIZE		
4 PLC ± -		CAGE CODE		
ANGLES ± -		DRAWING NO		
FINISH		RESTRICTED TO		
MATERIAL GLASS FILLED NYLON FLAME RETARDANT COLOR: BLACK PER ASTM D4066		A2 00779 C=102241		
CUSTOMER DRAWING		SCALE SHEET 1 OF 1 REV N3		