

Distributed by:

**JAMECO**<sup>®</sup>  
ELECTRONICS

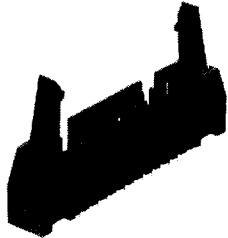
**www.Jameco.com ♦ 1-800-831-4242**

The content and copyrights of the attached  
material are the property of its owner.

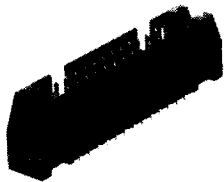
Jameco Part Number 1961250

### Universal Ejection Style Pin Headers, Military, Center and Dual Polarized .100 x .100 [2.54 x 2.54] Centers

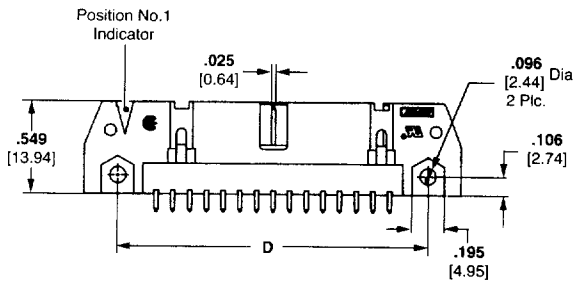
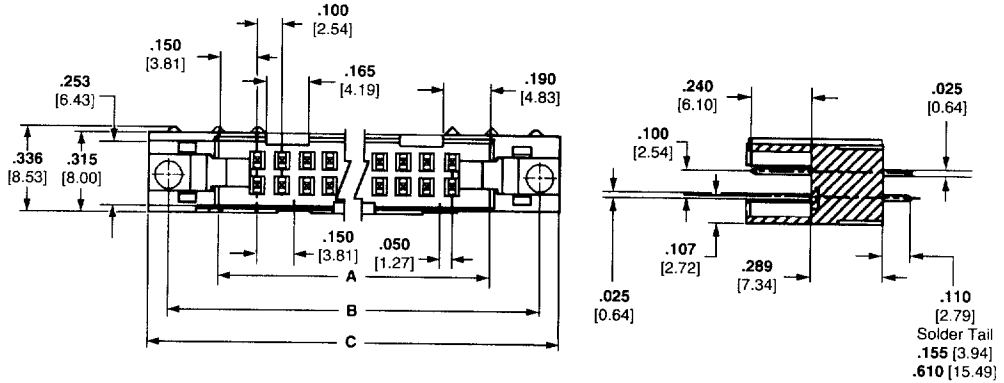
#### Straight-Thru, 4-Sided .025 [0.64] Sq. Posts



Pin Header  
with Latches



Pin Header  
without Latches



#### Material and Finish:

**Housing & Latches**—Black thermoplastic, 94V-0 rated

**Contacts**—Brass or phosphor bronze (at Tyco Electronics option); tin, gold or duplex plated (See chart, page 4026)

#### Related Product Data:

**Electrical Characteristics**—page 4007

#### Mateable Connectors:

Pages 4008 thru 4010

#### Accessories:

**Snap-In Polarizer**—page 4032

#### Technical Documents:

##### Product Specifications

108-40018 Pin Headers  
108-40019 Pin Headers with ACTION PIN Contacts  
108-40004 Ribbon Cable, PVC Insulated, AMP

No. of Positions	Dimensions					
	A	B	C	D	E	F
10	.700 17.78	1.100 27.94	1.260 32.00	.860 21.84	1.100 27.94	.400 10.16
14	.900 22.86	1.300 33.02	1.460 37.08	1.060 26.92	1.300 33.02	.600 15.24
16	1.000 25.40	1.400 35.56	1.560 39.62	1.180 29.46	1.400 35.56	.700 17.78
20	1.200 30.48	1.600 40.64	1.760 44.70	1.360 34.54	1.800 40.64	.900 22.86
24	1.400 35.56	1.800 45.72	1.960 49.78	1.560 39.62	1.800 45.72	1.100 27.94
26	1.500 38.10	1.900 48.26	2.060 52.32	1.660 42.16	1.900 48.26	1.200 30.48
34	1.900 48.26	2.300 58.42	2.460 62.48	2.060 52.32	2.300 58.42	1.600 40.64
40	2.200 55.88	2.600 66.04	2.760 70.10	2.360 59.94	2.600 66.04	1.900 48.26
50	2.700 68.58	3.100 78.74	3.260 82.80	2.860 72.64	3.100 78.74	2.400 60.98
60	3.200 81.28	3.600 91.44	3.760 95.50	3.360 85.34	3.600 91.44	2.900 73.66
64	3.400 86.36	3.800 96.52	3.960 100.58	3.560 90.42	3.800 96.52	3.100 78.74

- Notes:**
1. Pin headers in 10- and 14-position sizes have only one slot for snap-in polarizer (military polarization), located as shown.
  2. Pin headers in 10-position size have only slot for dual polarization, located as shown.
  3. For information regarding latch/pin header applications and for ordering latches separately, refer to page 4031.

Ribbon and Flexible Flat Cable Products

### Universal Ejection Style Pin Headers, Military, Center and Dual Polarized .100 x .100 [2.54 x 2.54] Centers

#### Ordering Information

When ordering a pin header or pin header kit, use the chart at the right to determine the six-digit base number for the desired post length, contact plating and latch configuration (Kits only). Then, complete the part number or kit number by adding the proper prefix and/or suffix numbers for the desired pin header size. The prefix/suffix numbers for all available sizes (10 thru 64 positions) are listed below.

No. of Positions	Add to Part Numbers	
	Prefix	Suffix
10		-1
14		-2
16		-3
20		-4
24		-5
26		-6
34		-8
40		-9
50	1-	-0
60	1-	-1
64	1-	-2

#### Mounting Information

4-24 self-tapping screws and 2-56 bolts and nuts are available for mounting straight-thru pin headers of pc boards. Typical applications and part nos. for ordering this hardware are presented below.

**Note:** 2-56 bolts and nuts may be used to mount pin headers with and without latches. If latches are to be used, the bolts must be positioned in the pin header before the latches are installed.

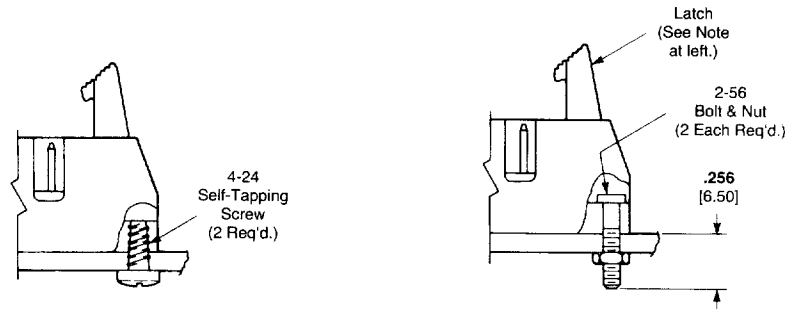
Post Length	Contact Plating	Pin Header Part No. (without Latches)	Pin Header Kit No. (with Latches)	
			Latch Part Number 102312-1 Mates with AMP-LATCH Receptacles without Strain Relief	Latch Part Number 102320-1 Mates with AMP-LATCH Receptacles with Strain Relief
.110	Duplex <sup>1</sup>	102153	499910	499922
2.79	Duplex <sup>2</sup>	102154	499160	499206
.155	Duplex <sup>1</sup>	102155	—	499923
3.94	Duplex <sup>2</sup>	102156	499374*	102321

<sup>1</sup>.000015 [0.00038] gold on mating end, .000100-.000200 [0.00254-0.00508] bright tin-lead on termination end, with entire contact underplated .000050 [0.00127] nickel.

<sup>2</sup>.000030 [0.00076] gold on mating end, .000100-.000200 [0.00254-0.00508] bright tin-lead on termination end, with entire contact underplated .000050 [0.00127] nickel.

**Note:** For information regarding latch/pin header applications and for ordering latches separately, refer to page 4031.

\* Not available in 64 position.



**Pin Header Mounting using 4-24 Self-Tapping Screws:**  
Part Numbers 19156-1 (for .062 [1.57] Thick PC Board)  
19156-2 (for .093 [2.36] Thick PC Board)  
19156-3 (for .125 [3.18] Thick PC Board)

**Pin Header Mounting with 2-56 Bolts and Nuts:**  
Part Number 746383-1 (Bolt Only)  
Kit No. 102198-1 (Bolt and Nut, 2 Each per Kit)