

Distributed by:

JAMECO[®]
ELECTRONICS

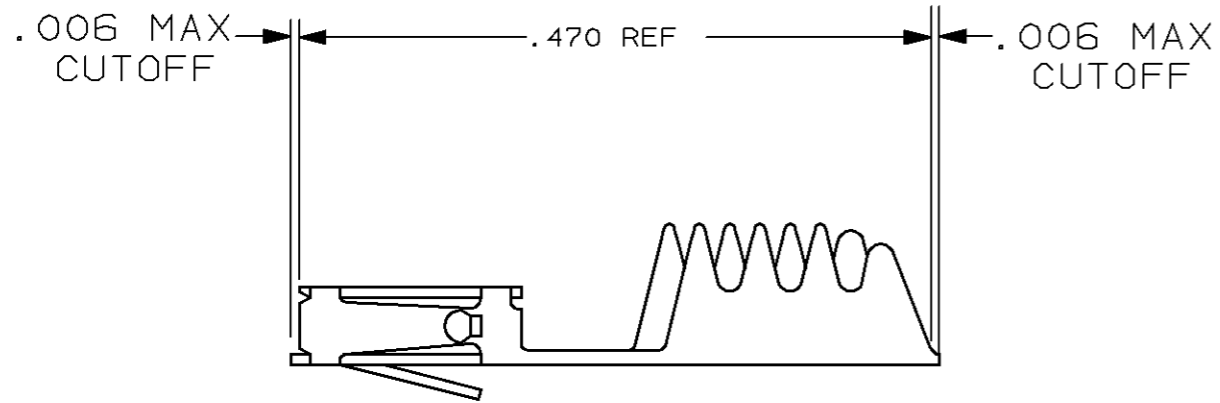
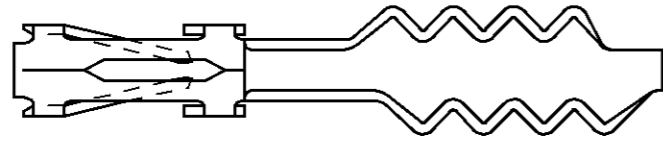
www.Jameco.com ♦ 1-800-831-4242

The content and copyrights of the attached
material are the property of its owner.

Jameco Part Number 893937

THIS DRAWING IS UNPUBLISHED. RELEASED FOR PUBLICATION, 19 .
 © COPYRIGHT 19 BY AMP INCORPORATED. ALL RIGHTS RESERVED.

LOC	DIST	REVISIONS			
P	LTR	DESCRIPTION	DATE	DWN	APVD
	01	REV ECN 1821	2-22-88	SB	-
	A	REV LOC & DIST AD-4171	11/28/89	BF	
	B	REV PER 0010-0805-93	7-8-93	JH	
	C	REV PER 0310-0030-98	8/03/98	ECC	



1. LOOSE PIECE CONTACTS MUST MEET ALL APPLICABLE STRIP SPECIFICATION IN ADDITION TO THOSE SHOWN

.000030 GOLD OVER .000050 NICKEL

△3 GOLD FLASH OVER .000050 NICKEL ENTIRE CONTACT, .000030 GOLD ON CONTACT AREA

△4 PREPLATED: (HALT) .000078-.000158 BRIGHT TIN

△5 OBSOLETE PART NUMBER

△4	87107-6	102348-3
△3	87107-5	102348-2
△2	87107-2	△1 102348-1
FINISH	STRIP PART NO.	PART NO.

THIS DRAWING IS A CONTROLLED DOCUMENT.		DWN E.C. CLAYBAUGH	AMP Incorporated Harrisburg, PA 17105-3608		
DIMENSIONS: IN	TOLERANCES UNLESS OTHERWISE SPECIFIED:	CHK -	NAME CONTACT, MOD IV, CRIMP SNAP-IN (LOOSE PIECE)		
	0 PLC ±-	APVD -	PRODUCT SPEC -		
	1 PLC ±-	PRODUCT SPEC -	APPLICATION SPEC -		
	2 PLC ±-	WEIGHT -	SIZE A3	CAGE CODE 00779	DRAWING NO C- 102348
	3 PLC ±-	FINISH SEE TABLE	RESTRICTED TO -		
MATERIAL BERYLLIUM COPPER	FINISH SEE TABLE	CUSTOMER DRAWING	SCALE N.T.S.	SHEET 1 OF 1	
			REV C		