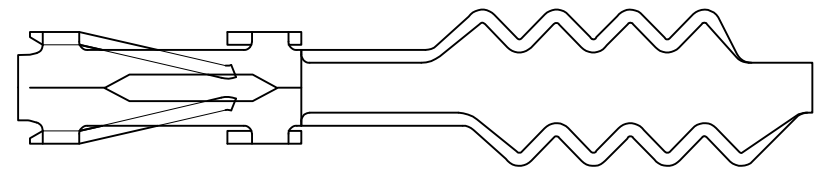
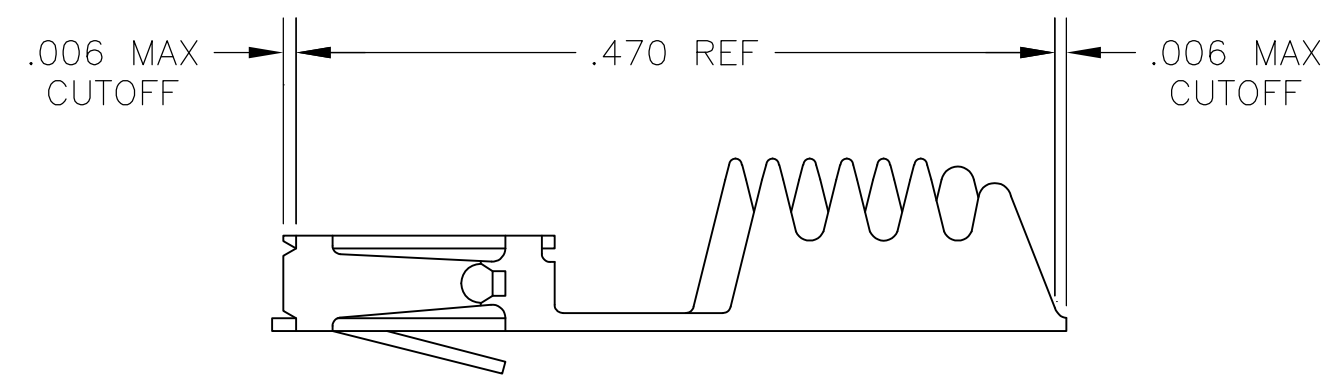


THIS DRAWING IS UNPUBLISHED. RELEASED FOR PUBLICATION
 © COPYRIGHT - By - ALL RIGHTS RESERVED.

LOC	DIST	REVISIONS					
AD	00	P	LTR	DESCRIPTION	DATE	DWN	APVD
				C1 REVISED PER ECO-11-004917	11MAR11	RK	HMR



1. LOOSE PIECE CONTACTS MUST MEET ALL APPLICABLE STRIP SPECIFICATION IN ADDITION TO THOSE SHOWN
.000030 GOLD OVER .000050 NICKEL
- △3 GOLD FLASH OVER .000050 NICKEL ENTIRE CONTACT, .000030 GOLD ON CONTACT AREA
- △4 PREPLATED:(HALT).000078-.000158 BRIGHT TIN
- △5 OBSOLETE PART NUMBER



△4	87107-6	102348-3
△3	87107-5	102348-2
△2	87107-2	△5 102348-1
FINISH	STRIP PART NO.	PART NO.

THIS DRAWING IS A CONTROLLED DOCUMENT.		DWN	08APR98	
		CHK	E.C.CLAYBAUGH	
DIMENSIONS: INCHES		APVD	-	
TOLERANCES UNLESS OTHERWISE SPECIFIED:		PRODUCT SPEC	-	
0 PLC ± -		APPLICATION SPEC	-	
1 PLC ± -		WEIGHT	-	
2 PLC ± -		STE TE Connectivity		
3 PLC ± -		CONTACT, MOD IV, CRIMP SNAP-IN (LOOSE PIECE)		
4 PLC ± -		SIZE	CAGE CODE	DRAWING NO
ANGLES ± -		A3	00779	C-102348
MATERIAL	FINISH	RESTRICTED TO		
BERYLLIUM COPPER	SEE TABLE	-		
CUSTOMER DRAWING		SCALE	SHEET	REV
		N.T.S.	1 OF 1	C1