

Distributed by:

**JAMECO**<sup>®</sup>  
ELECTRONICS

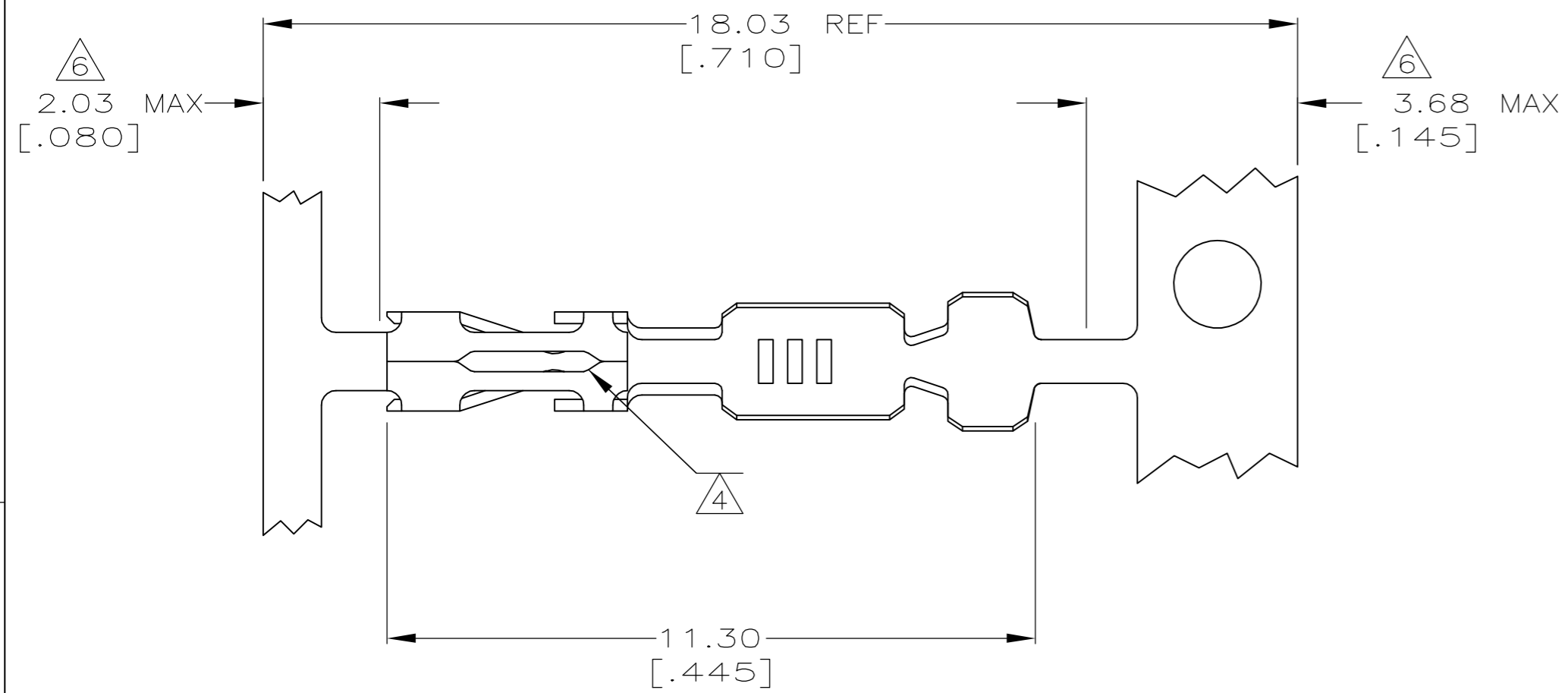
**www.Jameco.com ♦ 1-800-831-4242**

The content and copyrights of the attached  
material are the property of its owner.

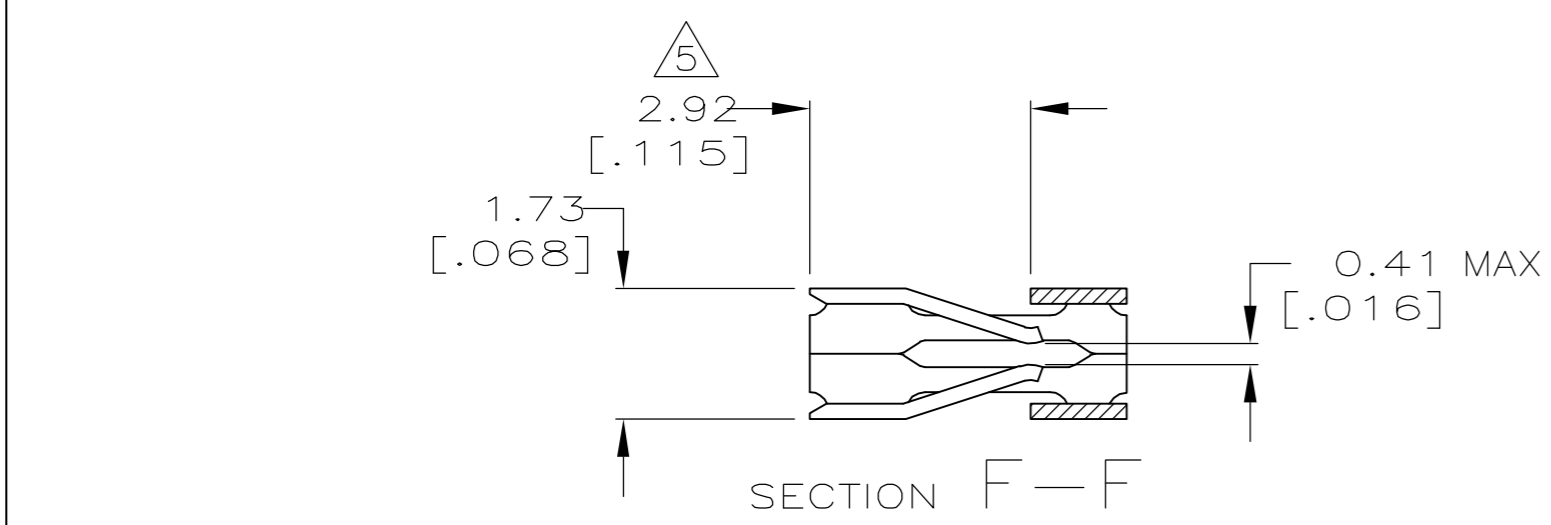
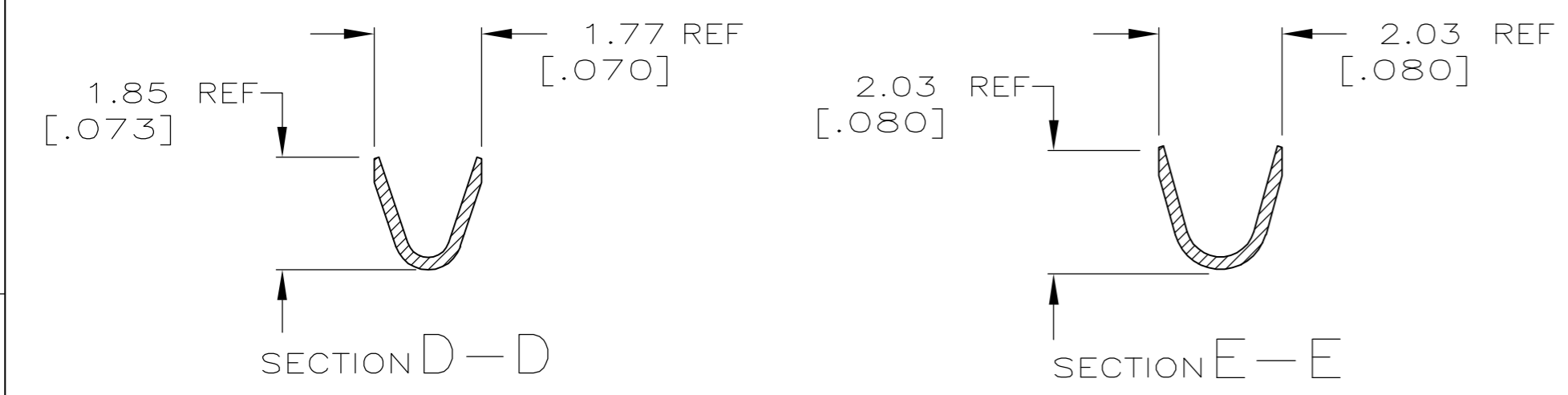
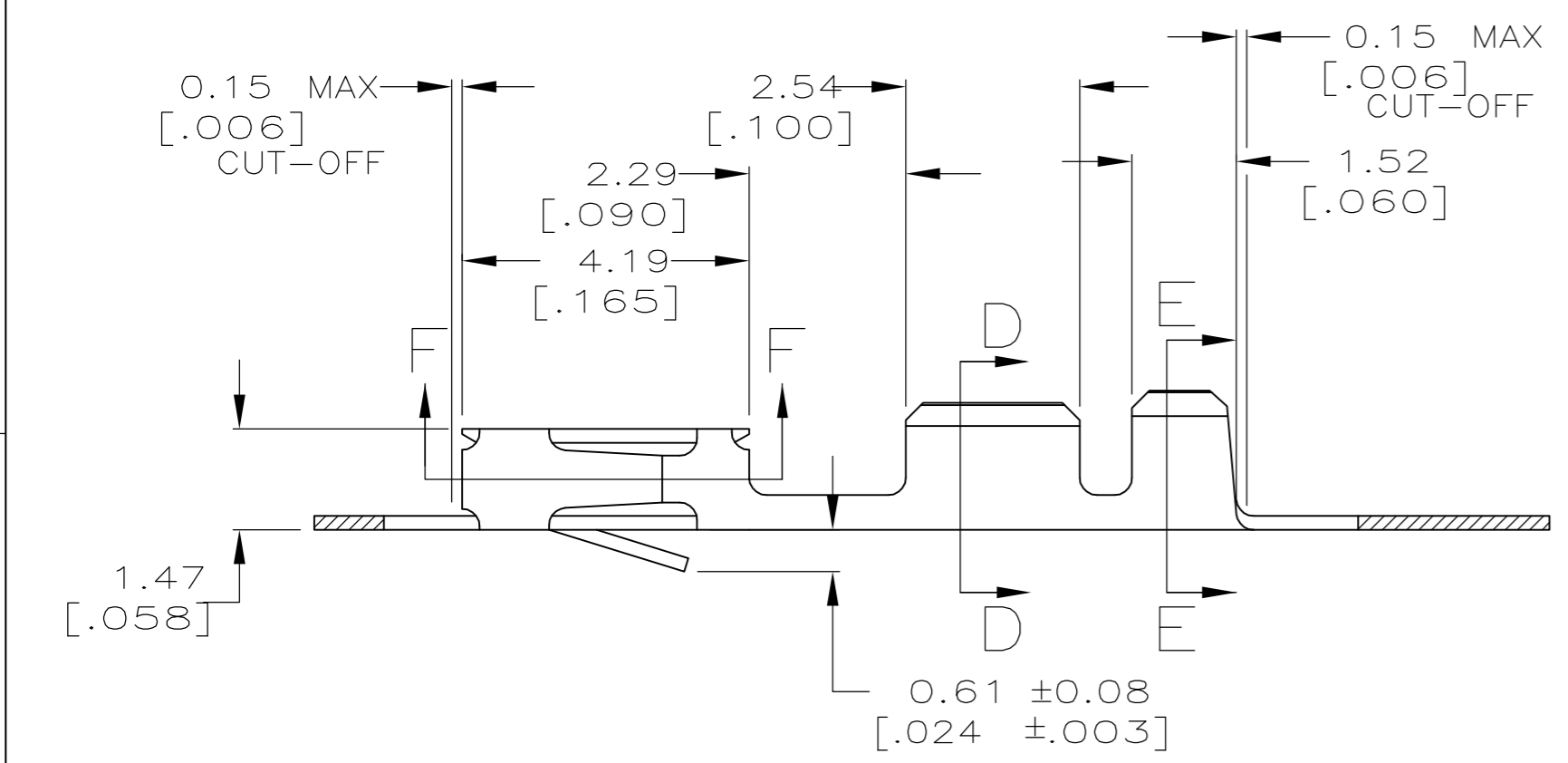
Jameco Part Number 737379

THIS DRAWING IS UNPUBLISHED. RELEASED FOR PUBLICATION  
 © COPYRIGHT BY TYCO ELECTRONICS CORPORATION. ALL RIGHTS RESERVED.

LOC		DIST		REVISIONS					
AD		39		P	LTR	DESCRIPTION	DATE	DWN	APVD
				J1		ECO-06-19486	16AUG06	MB	DR



- ① REELED FOR MINI APPLICATOR.
  - ② FINISH: GOLD FLASH OVER 0.00127[.000050] NICKEL, 0.000381[.000015] GOLD IN CONTACT AREA.
  - ③ FINISH: GOLD FLASH OVER 0.00127[.000050] NICKEL, 0.00076[.000030] GOLD IN CONTACT AREA.
  - ④ CUT OUTS ON BOX AT MANUFACTURERS OPTION.
  - ⑤ POINT OF MEASUREMENT FOR PLATING THICKNESS (INSIDE BEAMS).
  - ⑥ GOLD PLATING NOT REQUIRED IN THIS AREA.
7. WIRE RANGE #22-#26, INSULATION RANGE  $\phi$ .061 MAX.



LOOSE PC.	③	102548-6
①	③	102548-5
LOOSE PC.	②	102548-3
①	②	102548-1
DESCRIPTION	FINISH	PART NUMBER

THIS DRAWING IS A CONTROLLED DOCUMENT.		DWN	S. SHUEY	5-6-92	 Tyco Electronics Corporation Harrisburg, PA 17105-3608
DIMENSIONS: mm [INCHES]		CHK	J.GESFORD	5-20-92	
TOLERANCES UNLESS OTHERWISE SPECIFIED:		APVD	-	-	NAME
0 PLC	± -	PRODUCT SPEC	-	-	CONTACT, CRIMP SNAP-IN, MOD IV 1/2
1 PLC	± -	APPLICATION SPEC	-	-	-
2 PLC	± 0.13[.005]	WEIGHT	-	-	RESTRICTED TO
3 PLC	± -	MATERIAL	BERYLLIUM COPPER	SEE TABLE	SIZE
4 PLC	± -	FINISH	SEE TABLE	SCALE	10:1
ANGLES	± -	CUSTOMER DRAWING	SCALE	10:1	SHEET
					1 of 1
					REV
					J1