

Distributed by:

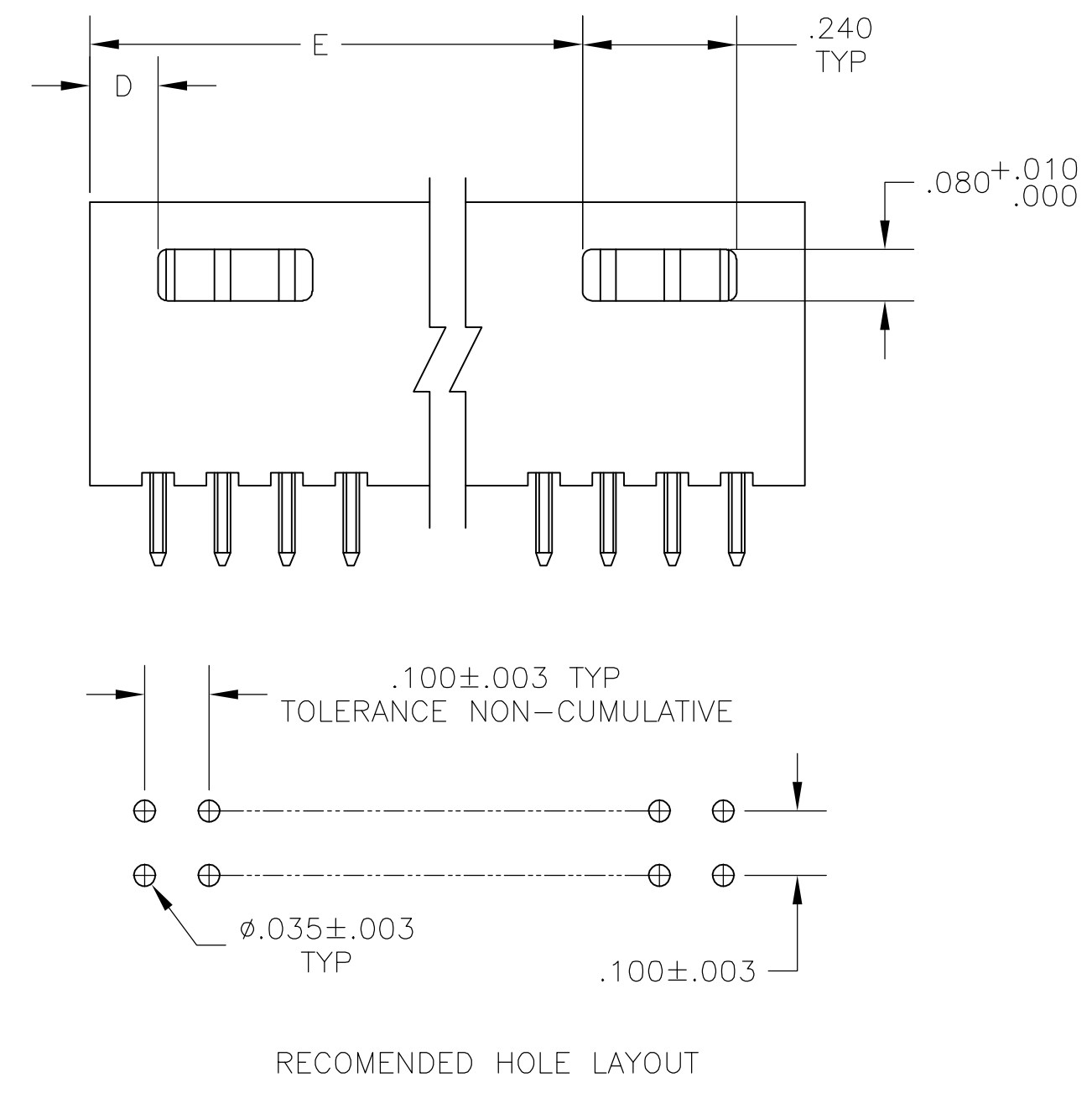
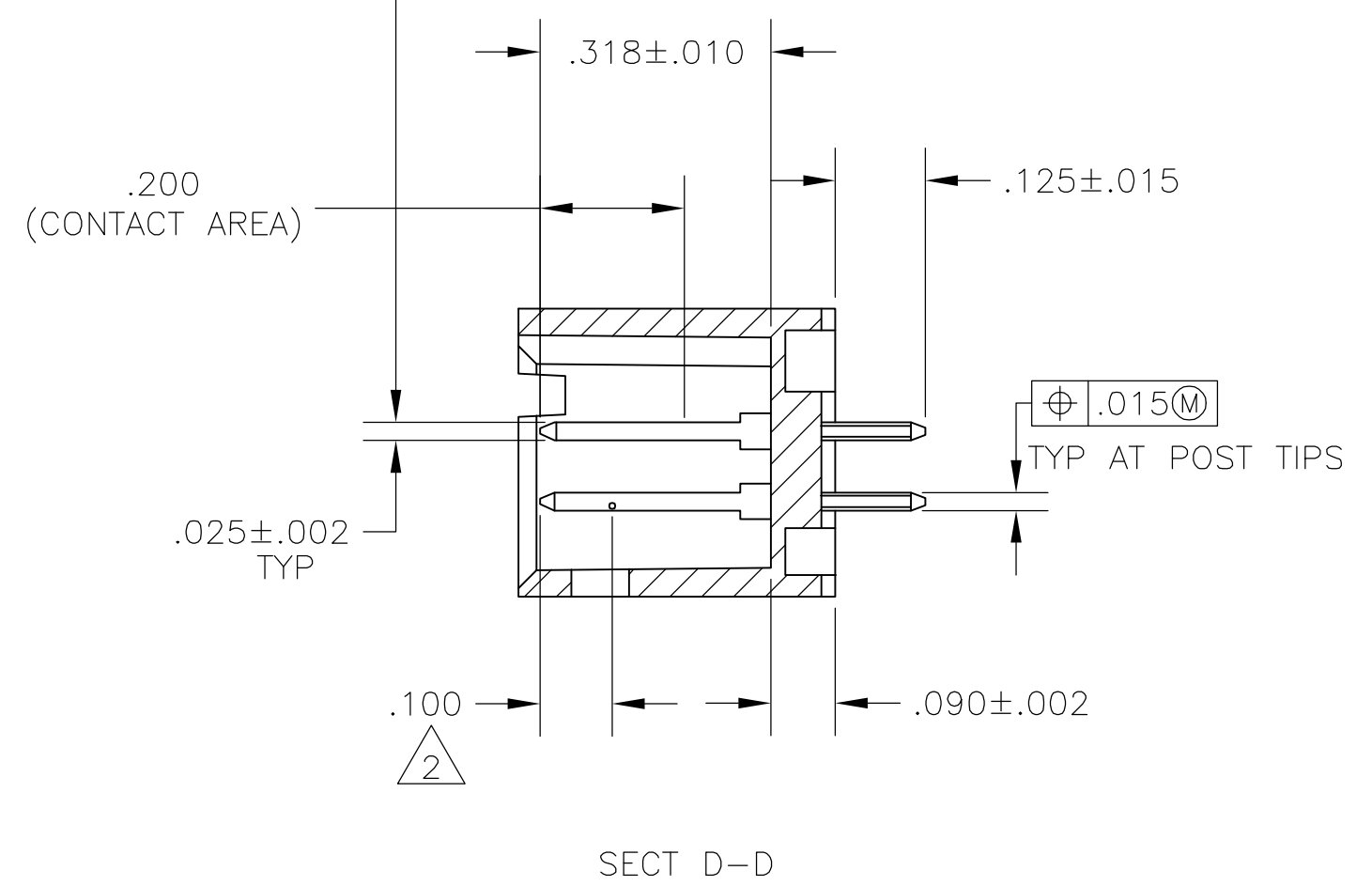
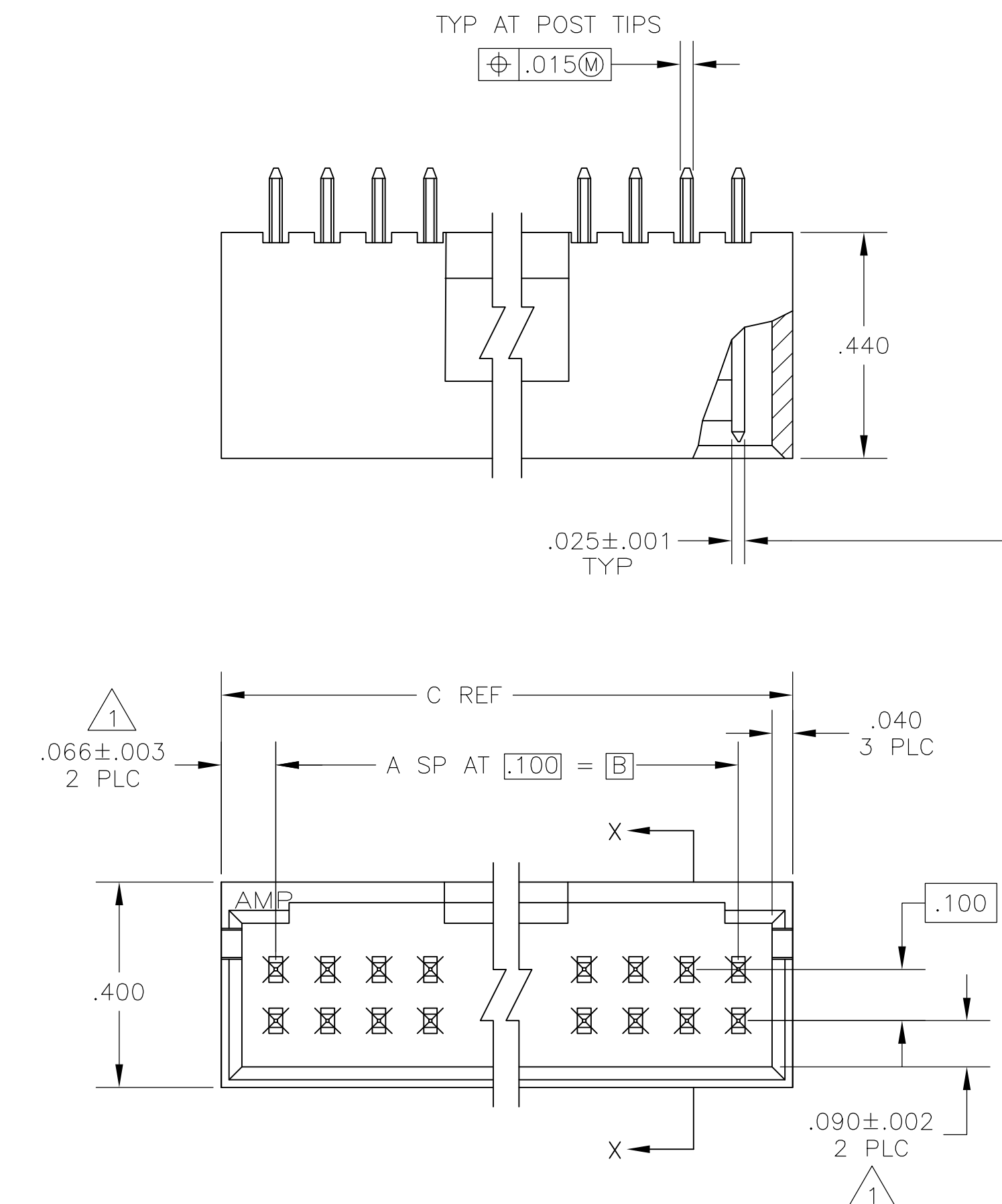
**JAMECO**<sup>®</sup>  
ELECTRONICS

**www.Jameco.com ♦ 1-800-831-4242**

The content and copyrights of the attached  
material are the property of its owner.

Jameco Part Number 737459

- 1 THE NOTED DIMENSIONS APPLY AT THE INTERSECTION OF THE POST AND HOUSING
- 2 POINT OF MEASUREMENT FOR PLATING THICKNESS
- 3 FINISH: POSTS: .000015 GOLD IN CONTACT AREA, .000100-.000200 MATTE TIN-LEAD ON SOLDER TAIL, ALL OVER .000050 NICKEL
- 4 FINISH: POSTS: .000015 GOLD IN CONTACT AREA, .000100-.000200 MATTE TIN ON SOLDER TAIL, ALL OVER .000050 NICKEL
- 5 MATERIALS: HOUSING- FLAME RETARDANT THERMOPLASTIC, COLOR-BLACK  
 POSTS- PHOS BRONZE



| PLATING | E    | D     | C     | B  | A  | NO. OF POSN | ASSEMBLY PART NUMBER |
|---------|------|-------|-------|----|----|-------------|----------------------|
| 3.506   | .106 | 3.732 | 3.600 | 36 | 74 | 8-102618-5  |                      |
| 3.406   | .106 | 3.632 | 3.500 | 35 | 72 | 8-102618-4  |                      |
| 3.306   | .106 | 3.532 | 3.400 | 34 | 70 | 8-102618-3  |                      |
| 3.206   | .106 | 3.432 | 3.300 | 33 | 68 | 8-102618-2  |                      |
| 3.106   | .106 | 3.332 | 3.200 | 32 | 66 | 8-102618-1  |                      |
| 3.006   | .106 | 3.232 | 3.100 | 31 | 64 | 8-102618-0  |                      |
| 2.906   | .106 | 3.132 | 3.000 | 30 | 62 | 7-102618-9  |                      |
| 2.806   | .106 | 3.032 | 2.900 | 29 | 60 | 7-102618-8  |                      |
| 2.706   | .106 | 2.932 | 2.800 | 28 | 58 | 7-102618-7  |                      |
| 2.606   | .106 | 2.832 | 2.700 | 27 | 56 | 7-102618-6  |                      |
| 2.506   | .106 | 2.732 | 2.600 | 26 | 54 | 7-102618-5  |                      |
| 2.406   | .106 | 2.632 | 2.500 | 25 | 52 | 7-102618-4  |                      |
| 2.306   | .106 | 2.532 | 2.400 | 24 | 50 | 7-102618-3  |                      |
| 2.206   | .106 | 2.432 | 2.300 | 23 | 48 | 7-102618-2  |                      |
| 2.106   | .106 | 2.332 | 2.200 | 22 | 46 | 7-102618-1  |                      |
| 2.006   | .106 | 2.232 | 2.100 | 21 | 44 | 7-102618-0  |                      |
| 1.906   | .106 | 2.132 | 2.000 | 20 | 42 | 6-102618-9  |                      |
| 1.806   | .106 | 2.032 | 1.900 | 19 | 40 | 6-102618-8  |                      |
| 1.706   | .106 | 1.932 | 1.800 | 18 | 38 | 6-102618-7  |                      |
| 1.606   | .106 | 1.832 | 1.700 | 17 | 36 | 6-102618-6  |                      |
| 1.506   | .106 | 1.732 | 1.600 | 16 | 34 | 6-102618-5  |                      |
| 1.406   | .106 | 1.632 | 1.500 | 15 | 32 | 6-102618-4  |                      |
| 1.306   | .106 | 1.532 | 1.400 | 14 | 30 | 6-102618-3  |                      |
| 1.206   | .106 | 1.432 | 1.300 | 13 | 28 | 6-102618-2  |                      |
| 1.106   | .106 | 1.332 | 1.200 | 12 | 26 | 6-102618-1  |                      |
| 1.006   | .106 | 1.232 | 1.100 | 11 | 24 | 6-102618-0  |                      |
| .906    | .106 | 1.132 | 1.000 | 10 | 22 | 5-102618-9  |                      |
| .806    | .106 | 1.032 | .900  | 9  | 20 | 5-102618-8  |                      |
| ---     | .406 | .932  | .800  | 8  | 18 | 5-102618-7  |                      |
| ---     | .306 | .832  | .700  | 7  | 16 | 5-102618-6  |                      |
| ---     | .306 | .732  | .600  | 6  | 14 | 5-102618-5  |                      |
| ---     | .206 | .632  | .500  | 5  | 12 | 5-102618-4  |                      |
| ---     | .206 | .532  | .400  | 4  | 10 | 5-102618-3  |                      |
| ---     | .106 | .432  | .300  | 3  | 8  | 5-102618-2  |                      |
| ---     | .106 | .332  | .200  | 2  | 6  | 5-102618-1  |                      |
| 3.506   | .106 | 3.732 | 3.600 | 36 | 74 | 3-102618-5  |                      |
| 3.406   | .106 | 3.632 | 3.500 | 35 | 72 | 3-102618-4  |                      |
| 3.306   | .106 | 3.532 | 3.400 | 34 | 70 | 3-102618-3  |                      |
| 3.206   | .106 | 3.432 | 3.300 | 33 | 68 | 3-102618-2  |                      |
| 3.106   | .106 | 3.332 | 3.200 | 32 | 66 | 3-102618-1  |                      |
| 3.006   | .106 | 3.232 | 3.100 | 31 | 64 | 3-102618-0  |                      |
| 2.906   | .106 | 3.132 | 3.000 | 30 | 62 | 2-102618-9  |                      |
| 2.806   | .106 | 3.032 | 2.900 | 29 | 60 | 2-102618-8  |                      |
| 2.706   | .106 | 2.932 | 2.800 | 28 | 58 | 2-102618-7  |                      |
| 2.606   | .106 | 2.832 | 2.700 | 27 | 56 | 2-102618-6  |                      |
| 2.506   | .106 | 2.732 | 2.600 | 26 | 54 | 2-102618-5  |                      |
| 2.406   | .106 | 2.632 | 2.500 | 25 | 52 | 2-102618-4  |                      |
| 2.306   | .106 | 2.532 | 2.400 | 24 | 50 | 2-102618-3  |                      |
| 2.206   | .106 | 2.432 | 2.300 | 23 | 48 | 2-102618-2  |                      |
| 2.106   | .106 | 2.332 | 2.200 | 22 | 46 | 2-102618-1  |                      |
| 2.006   | .106 | 2.232 | 2.100 | 21 | 44 | 2-102618-0  |                      |
| 1.906   | .106 | 2.132 | 2.000 | 20 | 42 | 1-102618-9  |                      |
| 1.806   | .106 | 2.032 | 1.900 | 19 | 40 | 1-102618-8  |                      |
| 1.706   | .106 | 1.932 | 1.800 | 18 | 38 | 1-102618-7  |                      |
| 1.606   | .106 | 1.832 | 1.700 | 17 | 36 | 1-102618-6  |                      |
| 1.506   | .106 | 1.732 | 1.600 | 16 | 34 | 1-102618-5  |                      |
| 1.406   | .106 | 1.632 | 1.500 | 15 | 32 | 1-102618-4  |                      |
| 1.306   | .106 | 1.532 | 1.400 | 14 | 30 | 1-102618-3  |                      |
| 1.206   | .106 | 1.432 | 1.300 | 13 | 28 | 1-102618-2  |                      |
| 1.106   | .106 | 1.332 | 1.200 | 12 | 26 | 1-102618-1  |                      |
| 1.006   | .106 | 1.232 | 1.100 | 11 | 24 | 1-102618-0  |                      |
| .906    | .106 | 1.132 | 1.000 | 10 | 22 | 102618-9    |                      |
| .806    | .106 | 1.032 | .900  | 9  | 20 | 102618-8    |                      |
| ---     | .406 | .932  | .800  | 8  | 18 | 102618-7    |                      |
| ---     | .306 | .832  | .700  | 7  | 16 | 102618-6    |                      |
| ---     | .306 | .732  | .600  | 6  | 14 | 102618-5    |                      |
| ---     | .206 | .632  | .500  | 5  | 12 | 102618-4    |                      |
| ---     | .206 | .532  | .400  | 4  | 10 | 102618-3    |                      |
| ---     | .106 | .432  | .300  | 3  | 8  | 102618-2    |                      |
| ---     | .106 | .332  | .200  | 2  | 6  | 102618-1    |                      |

THIS DRAWING IS A CONTROLLED DOCUMENT. DWN H MOLL 4-9-87  
 CHK LA MAYER 4-9-87  
 APRO R FEJDT 4-9-87

**tyco Electronics** Tyco Electronics Corporation  
 Harrisburg, Pa 17105-3608

NAME: HDR ASSY, MOD II, SHROUDED, 4 SIDES, DBL ROW, VERTICAL, .100X.100 C/L, WITH .025 SQ POSTS

PRODUCT SPEC: ---  
 APPLICATION SPEC: ---  
 SIZE: A1 CAGE CODE: 00779 DRAWING NO: 102618  
 WEIGHT: ---  
 RESTRICTED TO: ---

MATERIAL: SEE TABLE  
 FINISH: ---  
 CUSTOMER DRAWING SCALE: 4:1 SHEET 1 OF 1 REV K