

Distributed by:

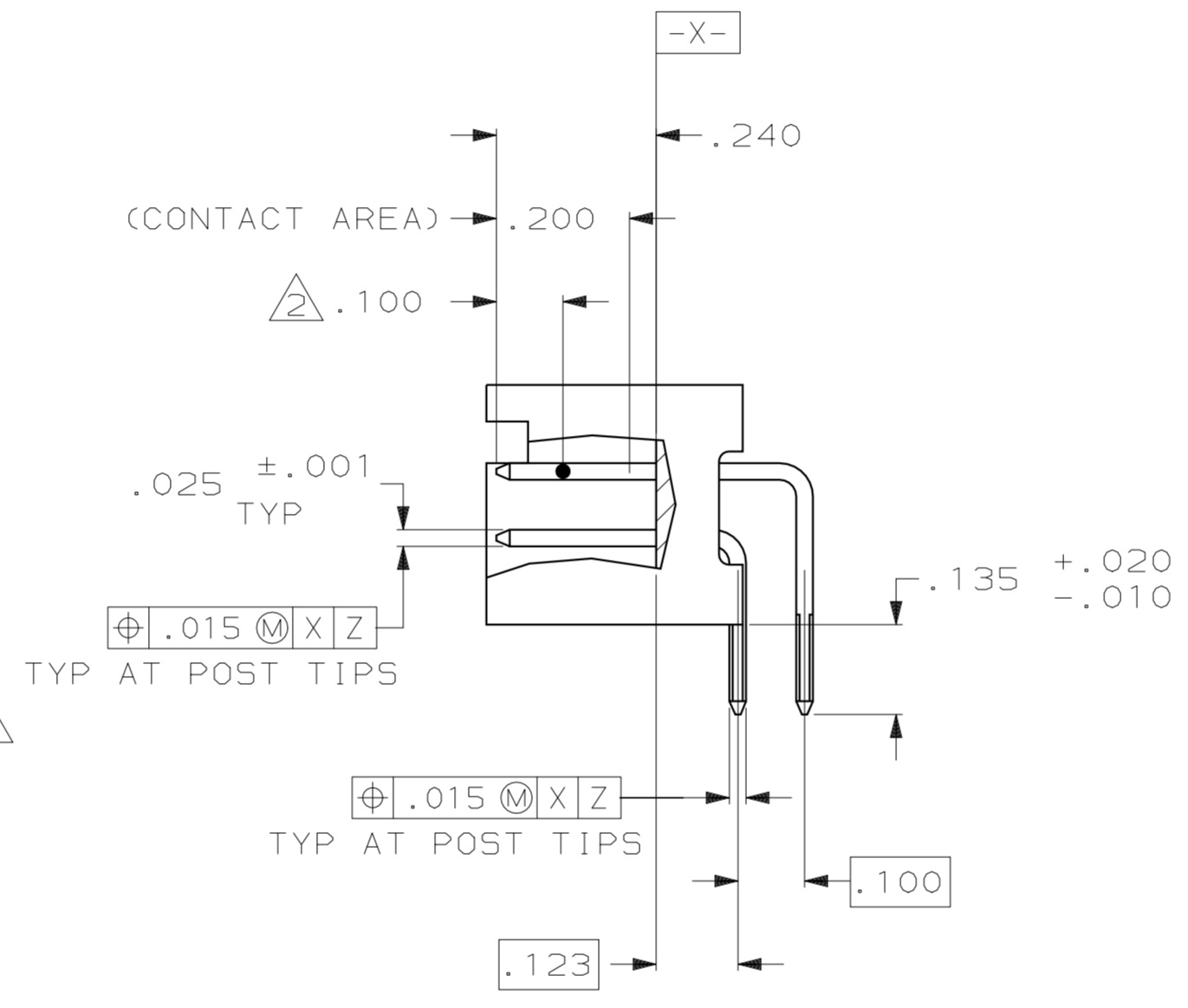
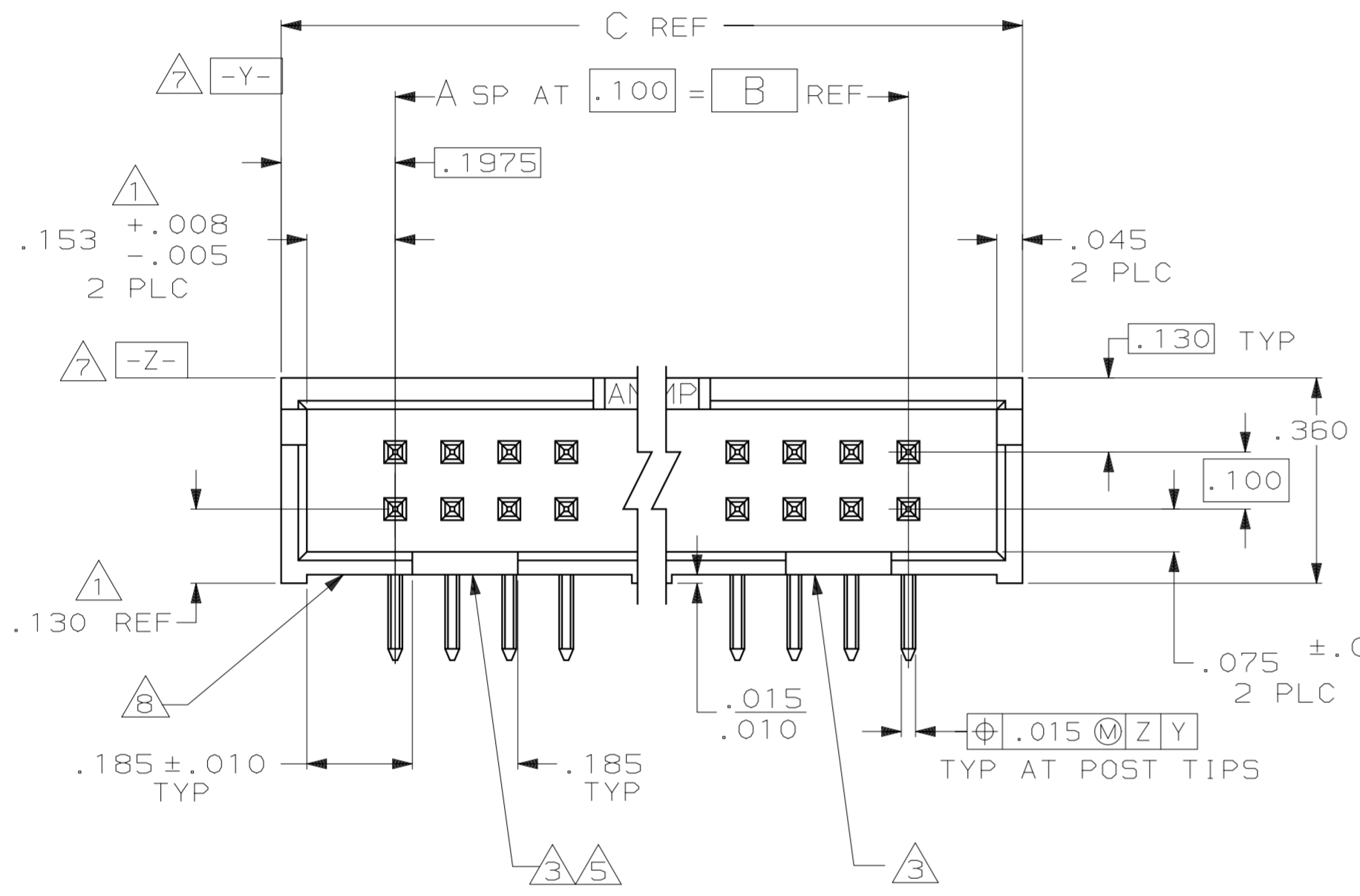
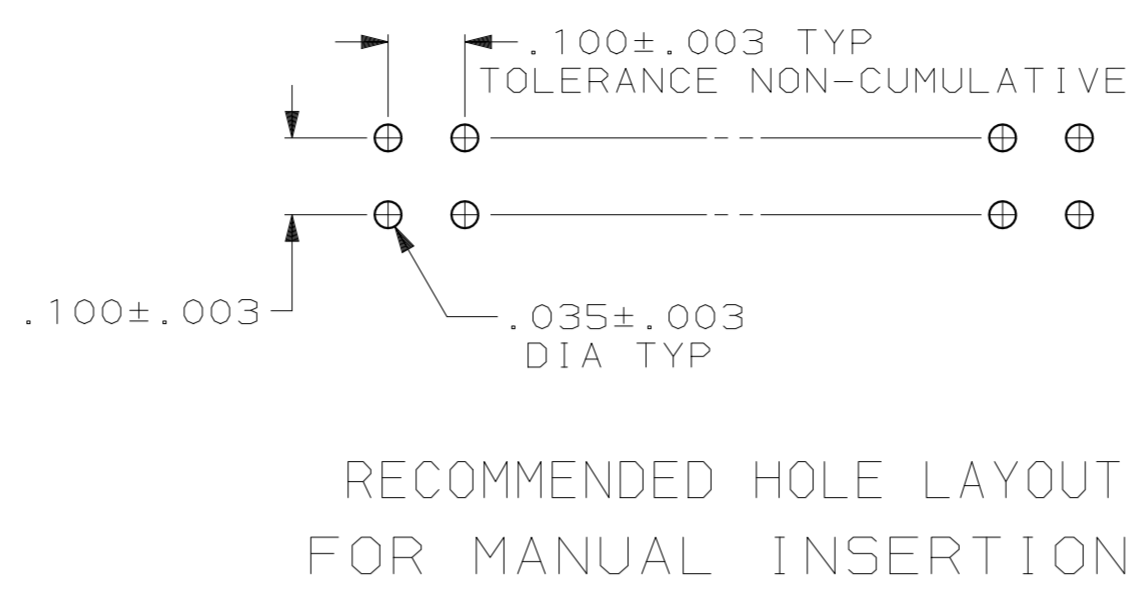
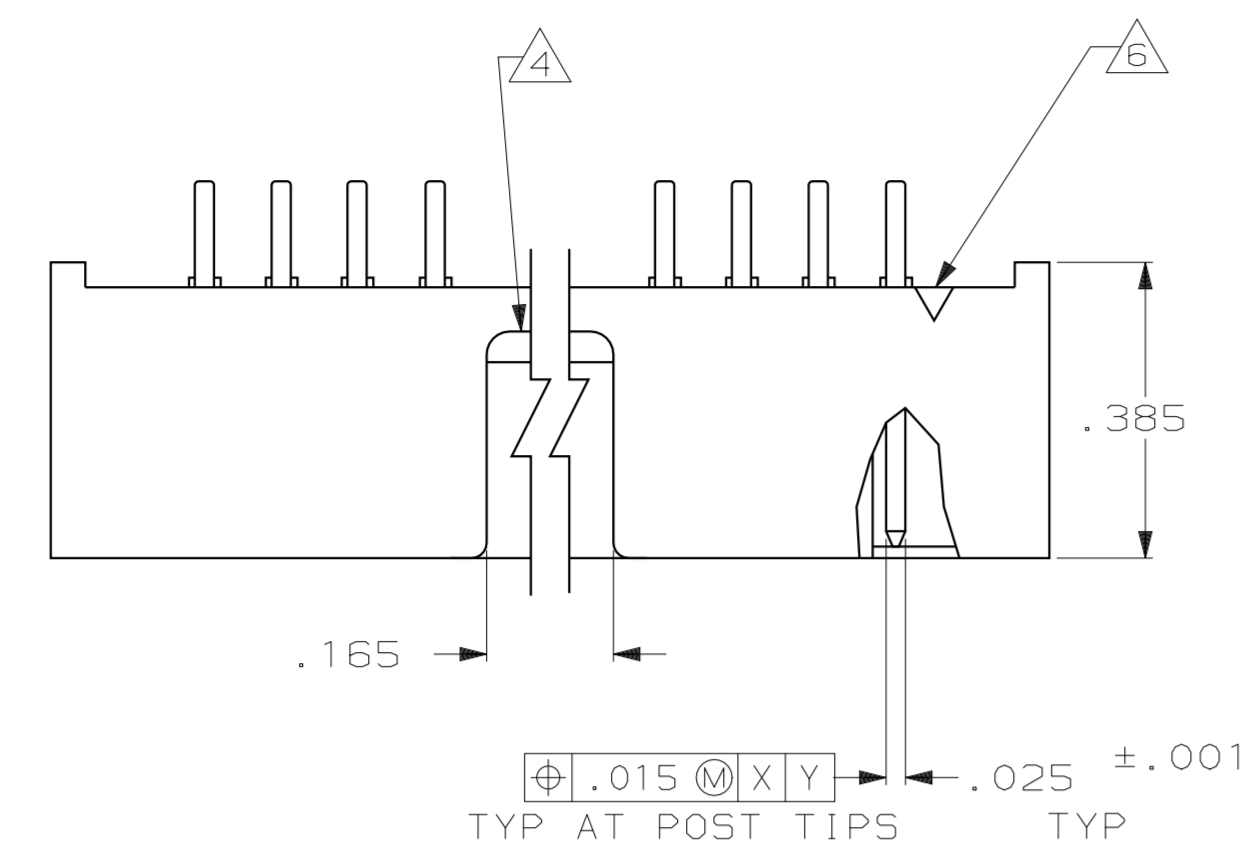
JAMECO[®]
ELECTRONICS

www.Jameco.com ♦ 1-800-831-4242

The content and copyrights of the attached
material are the property of its owner.

Jameco Part Number 737846

LOC		DIST		P		F		ZONE		LTR		REVISIONS		DATE	APPD
GP		00										DESCRIPTION			
												H	REV PER EC 0513-0347-05	20MAR06	SB



- ① THE NOTED DIMENSIONS APPLY AT THE INTERSECTION OF THE POST AND HOUSING
- ② POINT OF MEASUREMENT FOR PLATING THICKNESS
- ③ DOUBLE BAR POLARIZATION
- ④ CENTER POLARIZATION SLOT
- ⑤ FOR 10 POSN ASSEMBLY, SLOT OMITTED WHERE INDICATED
- ⑥ NUMBER 1 POSITION INDICATOR.
- ⑦ DATUMS [-Y-] AND [-Z-] APPLY AT THE BASE OF THE SHROUD WALL.
- ⑧ OPTIONAL AMP IDENTIFICATION NUMBER (DATE CODE). LOCATION APPROXIMATELY WHERE SHOWN.

	3.300	2.900	29	60	1-103311-2
OBSOLETE	3.100	2.700	27	56	1-103311-1
	2.800	2.400	24	50	1-103311-0
OBSOLETE	2.500	2.100	21	44	103311-9
	2.300	1.900	19	40	103311-8
	2.000	1.600	16	34	103311-7
	1.600	1.200	12	26	103311-6
	1.300	.900	9	20	103311-5
OBSOLETE	1.200	.800	8	18	103311-4
	1.100	.700	7	16	103311-3
	1.000	.600	6	14	103311-2
	.800	.400	4	10	103311-1
	C	B	A	NO OF POSN	ASSEMBLY PART NUMBER

UNLESS OTHERWISE SPECIFIED DIMENSIONS ARE IN INCHES TOLERANCES ON:		DR 8-27-87 H MOLL		AMP INCORPORATED Harrisburg, Pa. 17105	
2 PL DEC ±-.005 3 PL DEC ±.005 ANGLES ±-		CHK 9-4-87 L A MAYER			
MATERIAL: HOUSING: GLASS FILLED NYLON, FLAME RETARDANT, BLACK POSTS: PHOS BRONZE		APPD 9-4-87 R FEIDT		NAME HEADER ASSY, LOW PROFILE, AMP-LATCH	
FINISH: POSTS: .000030 GOLD IN CONTACT AREA, .000100-.000200 TIN-LEAD ON SOLDER TAIL, ALL OVER .000050 NICKEL		APPD 9-4-87 R ELICKER		PRODUCT SPEC -	
APPLICATION SPEC -		WEIGHT -		SIZE D	
SCALE 4:1		FSCM NO 00779		DRAWING NO 103311	
				SHEET 1 OF 1	