

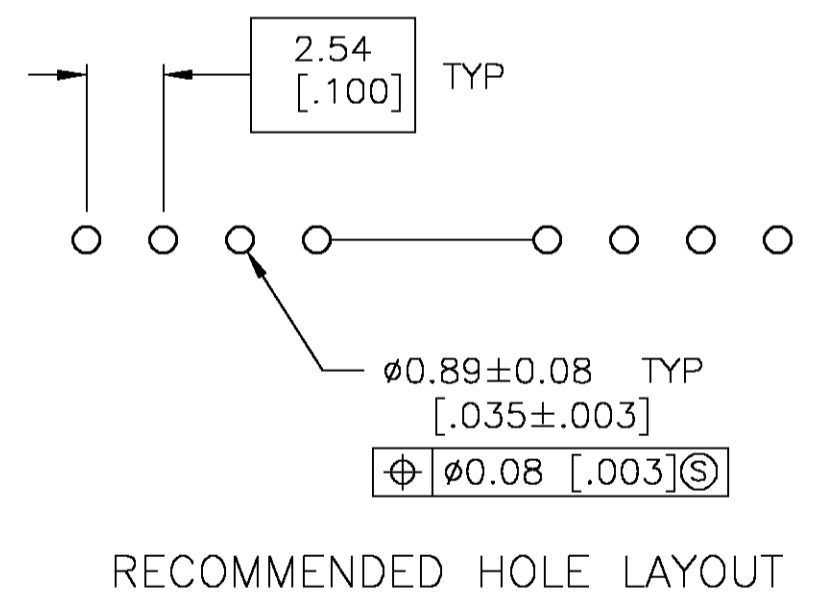
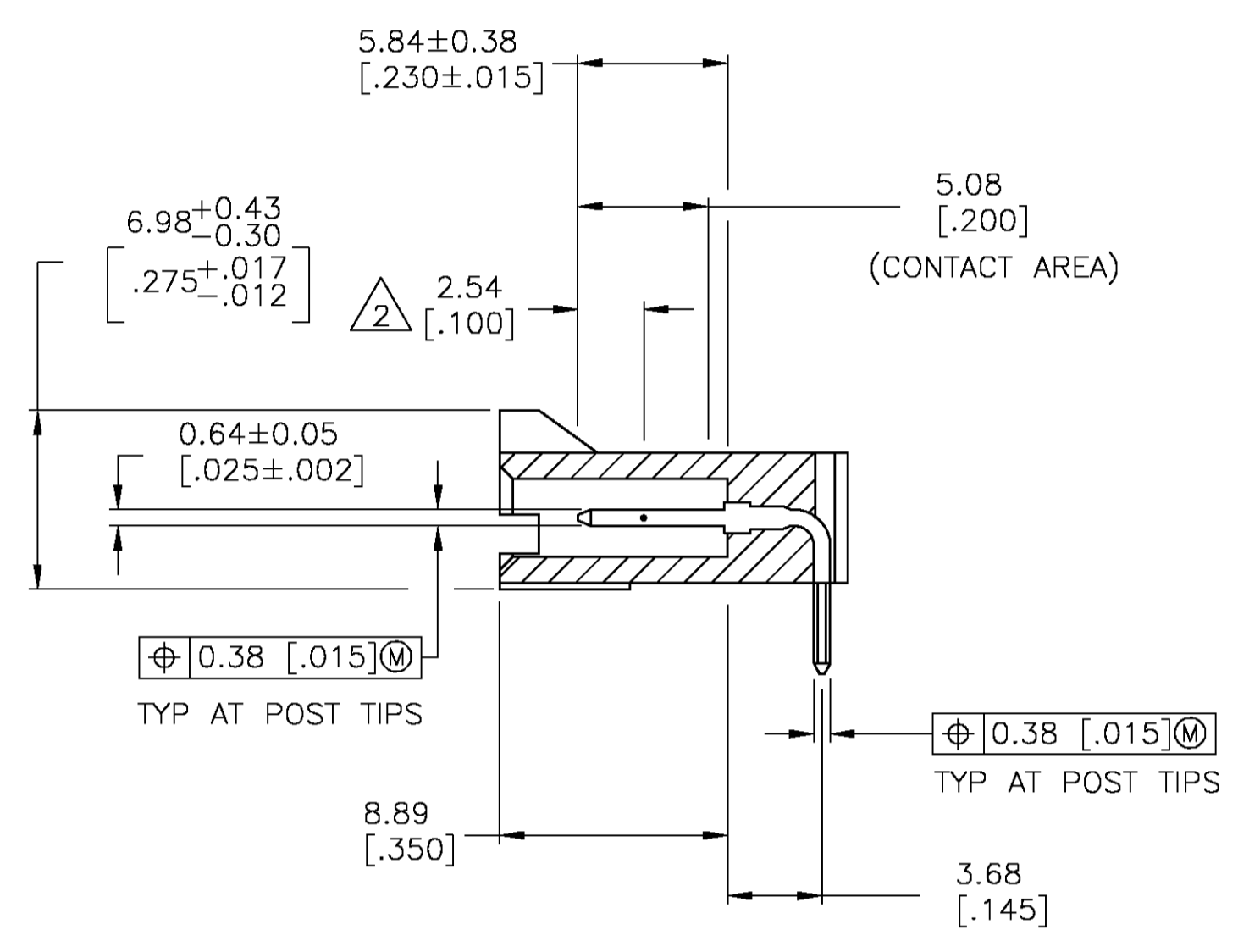
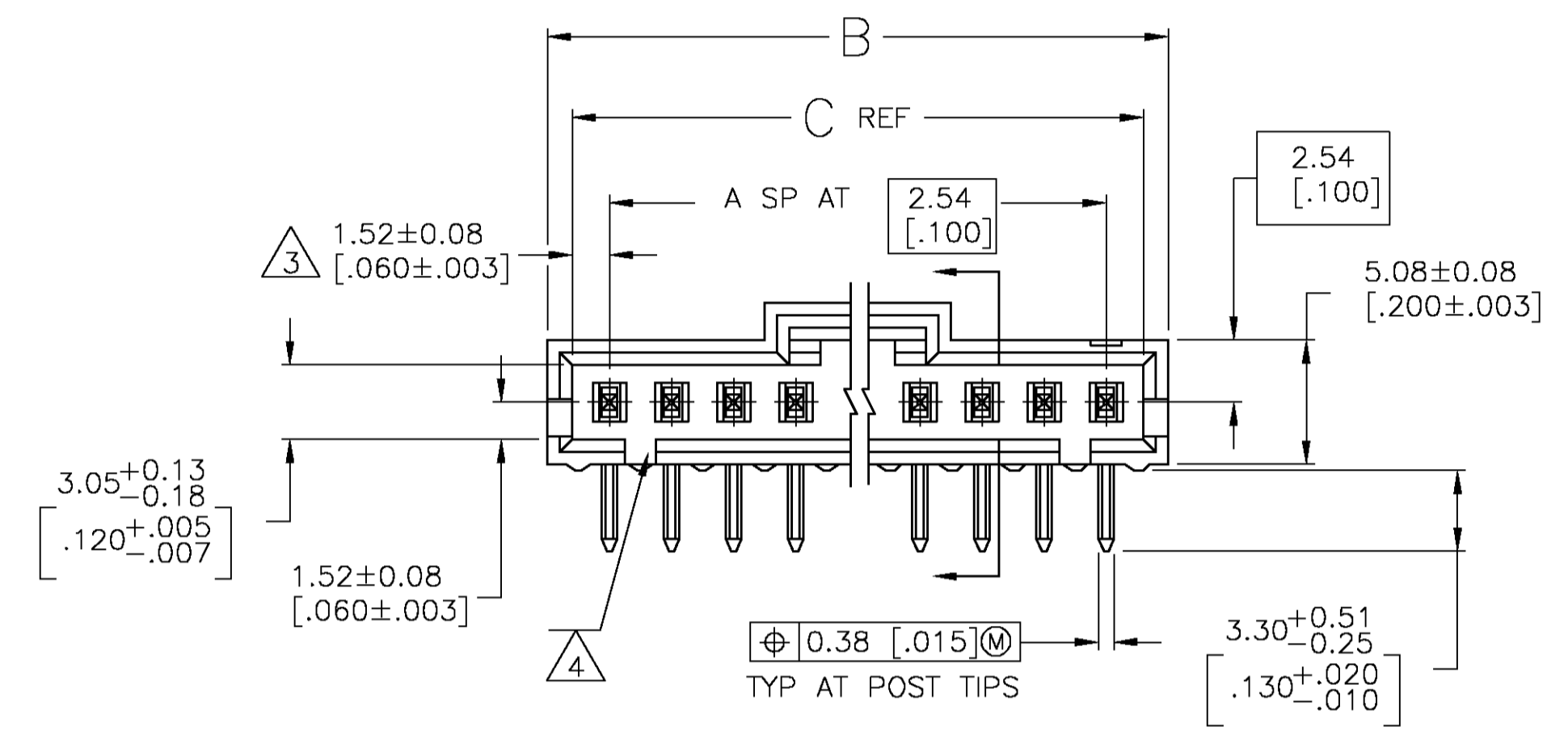
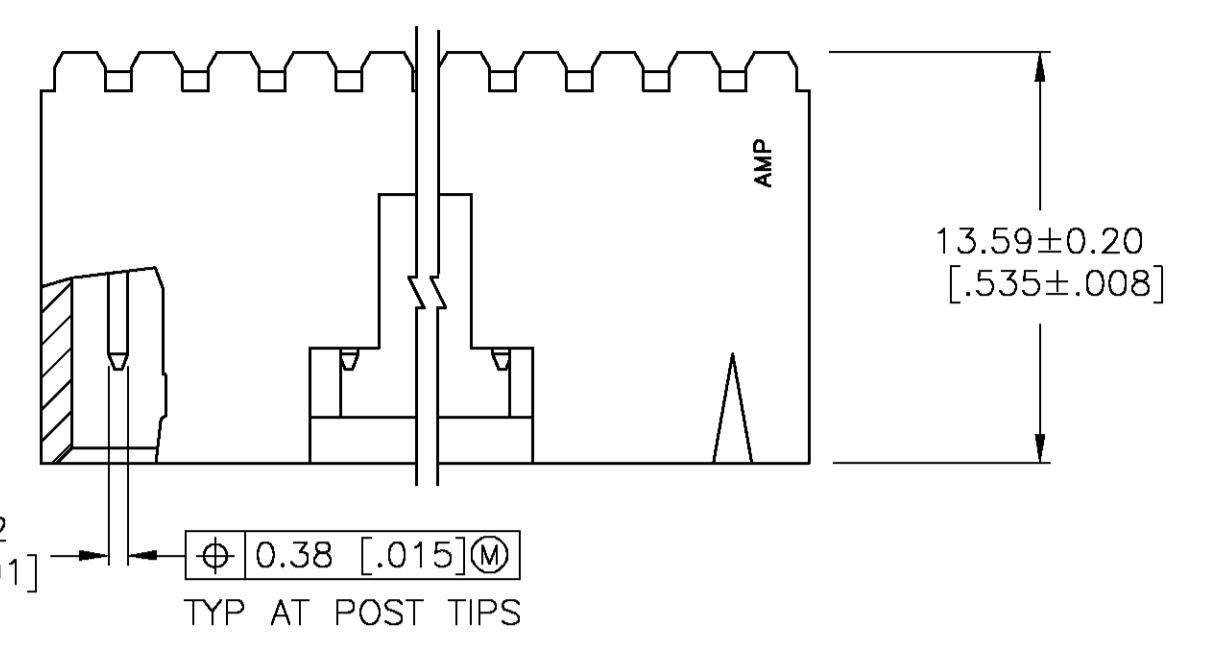
Distributed by:

JAMECO[®]
ELECTRONICS

www.Jameco.com ♦ 1-800-831-4242

The content and copyrights of the attached
material are the property of its owner.

Jameco Part Number 737926



- 1 .000100 BRIGHT TIN-LEAD OVER .000050 NICKEL.
- 2 POINT OF MEASUREMENT FOR PLATING THICKNESS.
- 3 THE NOTED DIMENSIONS APPLY AT THE INTERSECTION OF THE POST AND THE HOUSING.
- 4 ON ASSEMBLIES WITH FOUR OR MORE POSITIONS, TWO POLARIZATION SLOTS.
ON ASSEMBLIES WITH TWO OR THREE POSITIONS, ONE POLARIZATION SLOT.
- 5 .000100 BRIGHT TIN OVER .000050 NICKEL.
- 6 PRELIMINARY PART - NOT RELEASED FOR PRODUCTION.
- 7 .000100 MATTE TIN OVER .000050 NICKEL.
- 8 HIGH TEMPERATURE CONFIGURATION

REMARKS	PLATING	C	B	A	NO. OF POSN	PART NO.	
	8	7	64.01 [2.520]	66.04 [2.600]	24	25	7-103634-4
	8	7	61.47 [2.420]	63.50 [2.500]	23	24	7-103634-3
	8	7	58.93 [2.320]	60.96 [2.400]	22	23	7-103634-2
	8	7	56.39 [2.220]	58.42 [2.300]	21	22	7-103634-1
	8	7	53.85 [2.120]	55.88 [2.200]	20	21	7-103634-0
	8	7	51.31 [2.020]	53.34 [2.100]	19	20	6-103634-9
	8	7	48.77 [1.920]	50.80 [2.000]	18	19	6-103634-8
	8	7	46.23 [1.820]	48.26 [1.900]	17	18	6-103634-7
	8	7	43.69 [1.720]	45.72 [1.800]	16	17	6-103634-6
	8	7	41.15 [1.620]	43.18 [1.700]	15	16	6-103634-5
	8	7	38.61 [1.520]	40.64 [1.600]	14	15	6-103634-4
	8	7	36.07 [1.420]	38.10 [1.500]	13	14	6-103634-3
	8	7	33.53 [1.320]	35.56 [1.400]	12	13	6-103634-2
	8	7	30.99 [1.220]	33.02 [1.300]	11	12	6-103634-1
	8	7	28.45 [1.120]	30.48 [1.200]	10	11	6-103634-0
	8	7	25.91 [1.020]	27.94 [1.100]	9	10	5-103634-9
	8	7	23.37 [0.920]	25.40 [1.000]	8	9	5-103634-8
	8	7	20.83 [0.820]	22.86 [0.900]	7	8	5-103634-7
	8	7	18.29 [0.720]	20.32 [0.800]	6	7	5-103634-6
	8	7	15.75 [0.620]	17.78 [0.700]	5	6	5-103634-5
	8	7	13.21 [0.520]	15.24 [0.600]	4	5	5-103634-4
	8	7	10.67 [0.420]	12.70 [0.500]	3	4	5-103634-3
	8	7	8.13 [0.320]	10.16 [0.400]	2	3	5-103634-2
	8	7	5.59 [0.220]	7.62 [0.300]	1	2	5-103634-1

PLATING	C	B	A	NO. OF POSN	PART NO.	
8	5	30.99 [1.220]	33.02 [1.300]	11	12	3-103634-4
8	5	25.91 [1.020]	27.94 [1.100]	9	10	3-103634-3
8	5	23.37 [0.920]	25.40 [1.000]	8	9	3-103634-2
8	5	18.29 [0.720]	20.32 [0.800]	6	7	3-103634-1
8	5	15.75 [0.620]	17.78 [0.700]	5	6	3-103634-0
8	5	5.59 [0.220]	7.62 [0.300]	1	2	2-103634-9
8	5	41.15 [1.620]	43.18 [1.700]	15	16	2-103634-8
8	5	13.21 [0.520]	15.24 [0.600]	4	5	2-103634-7
8	5	10.67 [0.420]	12.70 [0.500]	3	4	2-103634-6
8	5	8.13 [0.320]	10.16 [0.400]	2	3	2-103634-5
8	1	64.01 [2.520]	66.04 [2.600]	24	25	2-103634-4
8	1	61.47 [2.420]	63.50 [2.500]	23	24	2-103634-3
8	1	58.93 [2.320]	60.96 [2.400]	22	23	2-103634-2
8	1	56.39 [2.220]	58.42 [2.300]	21	22	2-103634-1
8	1	53.85 [2.120]	55.88 [2.200]	20	21	2-103634-0
8	1	51.31 [2.020]	53.34 [2.100]	19	20	1-103634-9
8	1	48.77 [1.920]	50.80 [2.000]	18	19	1-103634-8
8	1	46.23 [1.820]	48.26 [1.900]	17	18	1-103634-7
8	1	43.69 [1.720]	45.72 [1.800]	16	17	1-103634-6
8	1	41.15 [1.620]	43.18 [1.700]	15	16	1-103634-5
8	1	38.61 [1.520]	40.64 [1.600]	14	15	1-103634-4
8	1	36.07 [1.420]	38.10 [1.500]	13	14	1-103634-3
8	1	33.53 [1.320]	35.56 [1.400]	12	13	1-103634-2
8	1	30.99 [1.220]	33.02 [1.300]	11	12	1-103634-1
8	1	28.45 [1.120]	30.48 [1.200]	10	11	1-103634-0
8	1	25.91 [1.020]	27.94 [1.100]	9	10	103634-9
8	1	23.37 [0.920]	25.40 [1.000]	8	9	103634-8
8	1	20.83 [0.820]	22.86 [0.900]	7	8	103634-7
8	1	18.29 [0.720]	20.32 [0.800]	6	7	103634-6
8	1	15.75 [0.620]	17.78 [0.700]	5	6	103634-5
8	1	13.21 [0.520]	15.24 [0.600]	4	5	103634-4
8	1	10.67 [0.420]	12.70 [0.500]	3	4	103634-3
8	1	8.13 [0.320]	10.16 [0.400]	2	3	103634-2
8	1	5.59 [0.220]	7.62 [0.300]	1	2	103634-1

THIS DRAWING IS A CONTROLLED DOCUMENT.

DIMENSIONS: mm [INCHES]	TOLERANCES UNLESS OTHERWISE SPECIFIED:	DWN S. SHUEY 3-5-91	
0 PLC ± -	1 PLC ± -	3-27-91	
2 PLC ± -	3 PLC ± -	3-27-91	Tyco Electronics Corporation Harrisburg, Pa 17105-3608
4 PLC ± -	ANGLES ± -	APVD L. CASTAGNA 3-27-91	NAME: L. CASTAGNA PRODUCT SPEC: 108-25034 APPLICATION SPEC: 114-25026
MATERIAL HOUSING	FINISH SEE TABLE	WEIGHT -	SIZE: A1 SCALE: 4:1 SHEET: 1 OF 1 REV: U

CUSTOMER DRAWING