

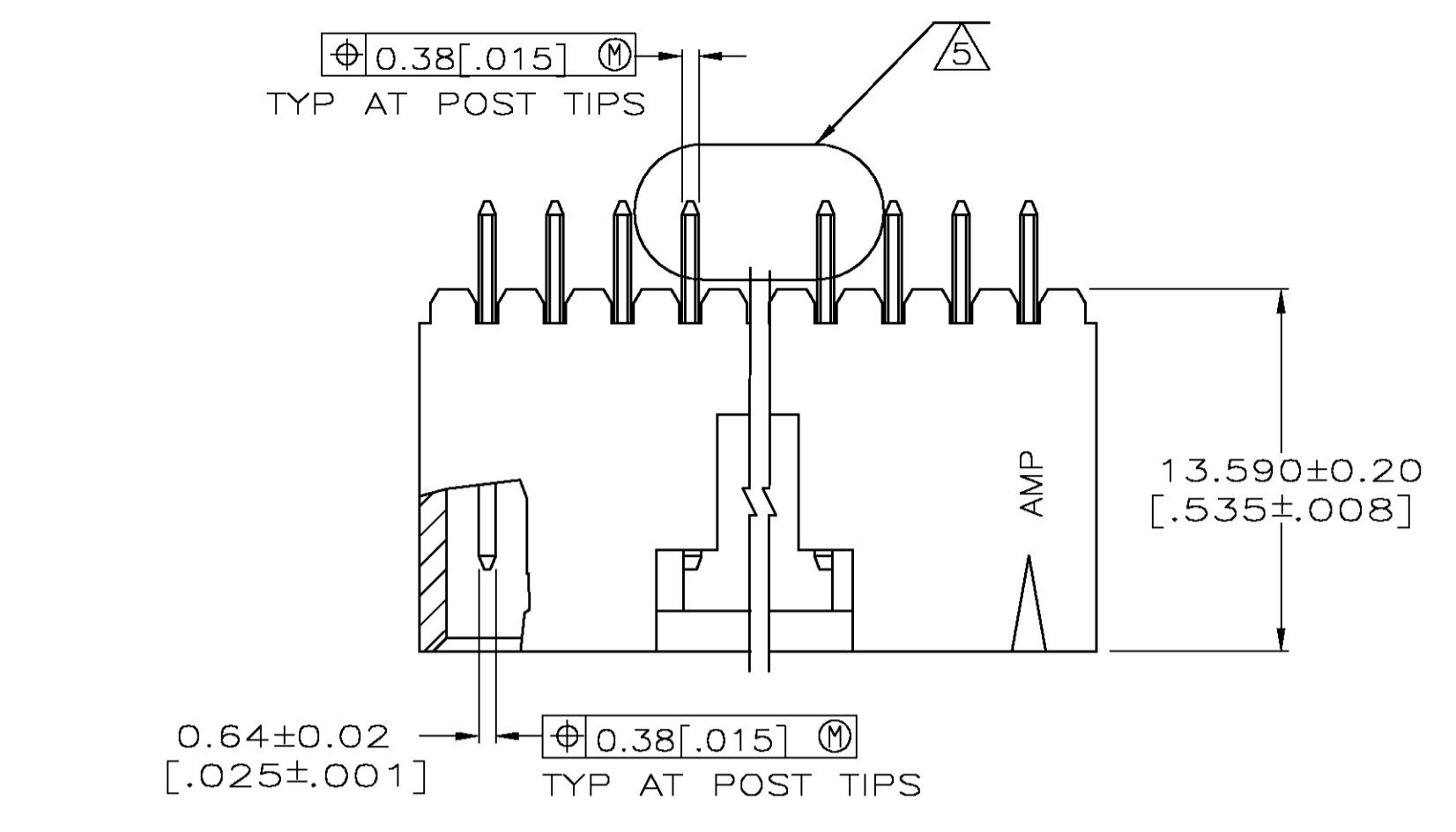
Distributed by:

JAMECO[®]
ELECTRONICS

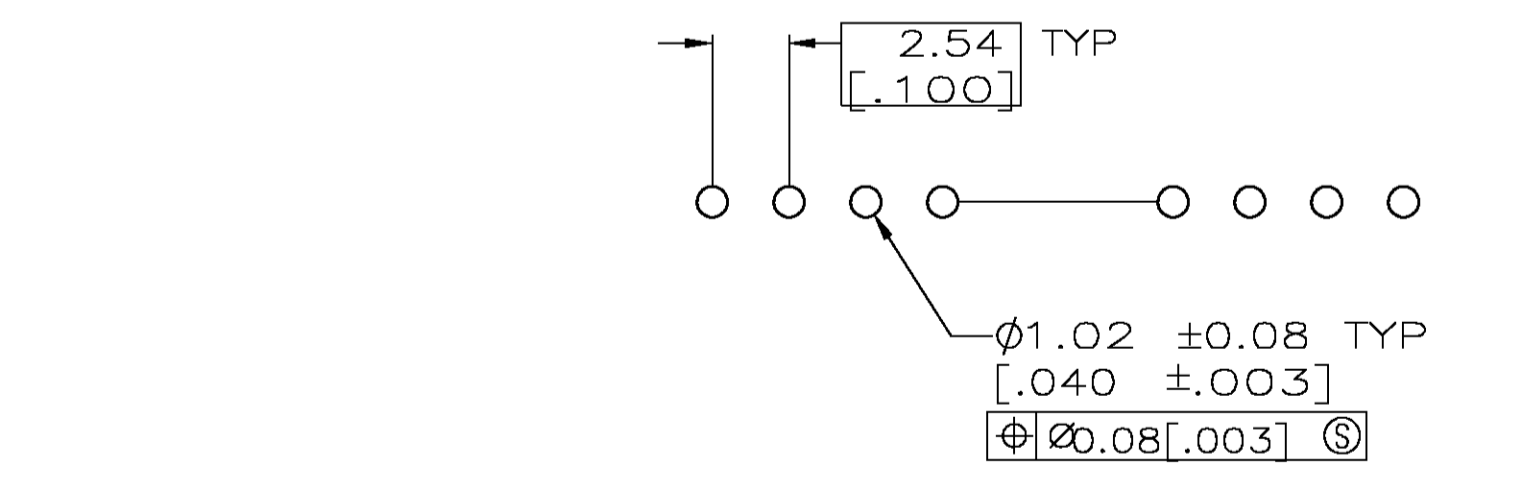
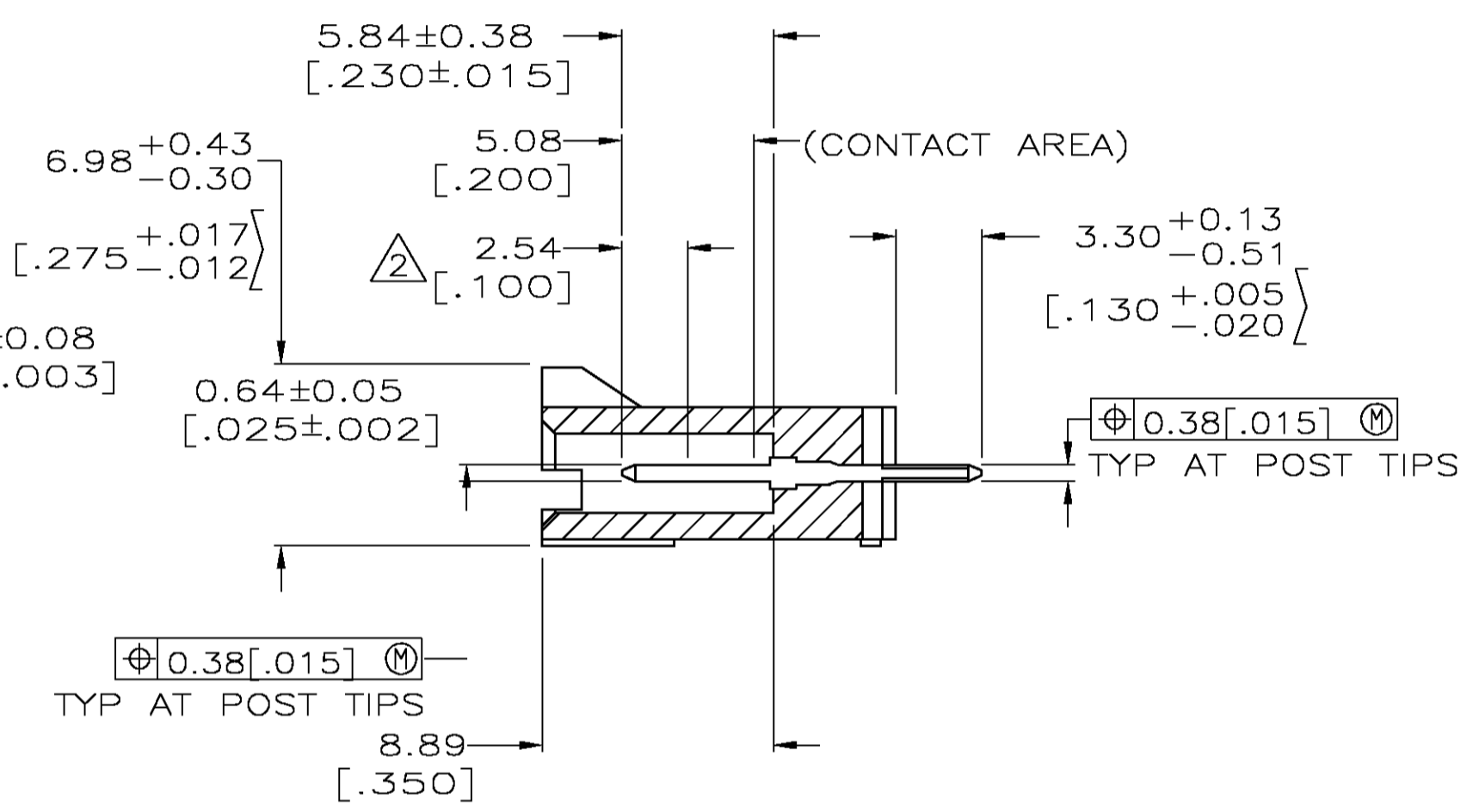
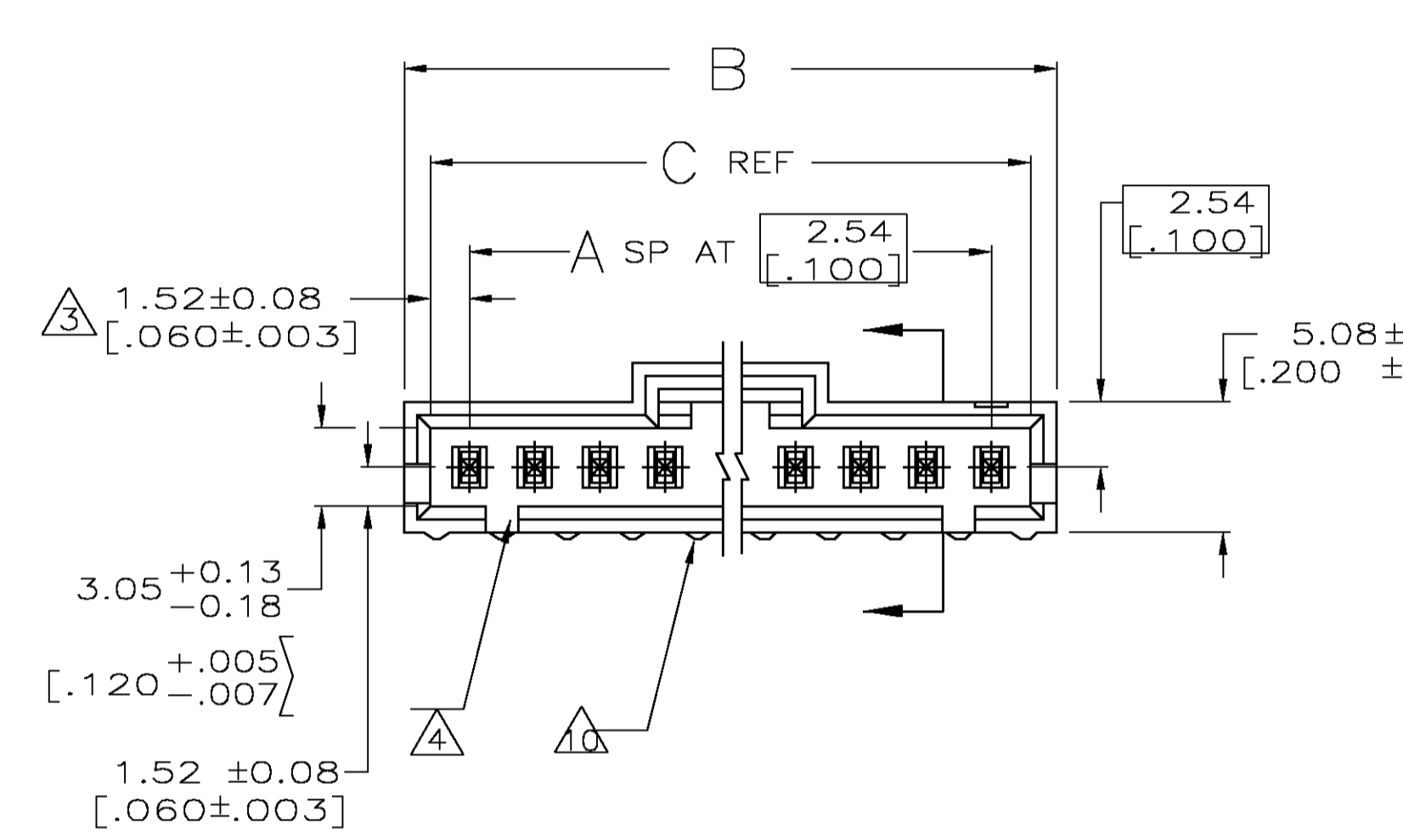
www.Jameco.com ♦ 1-800-831-4242

The content and copyrights of the attached
material are the property of its owner.

Jameco Part Number 738179



DETAIL Z
 POST DETAIL TYP
 2 POST MINIMUM



RECOMMENDED HOLE LAYOUT

- $\triangle 6$.000100 BRIGHT TIN-LEAD OVER .000050 NICKEL.
- $\triangle 2$ POINT OF MEASUREMENT FOR PLATING THICKNESS.
- $\triangle 3$ THE NOTED DIMENSIONS APPLY AT THE INTERSECTION OF THE POST AND THE HOUSING.
- $\triangle 4$ ON ASSEMBLIES WITH FOUR OR MORE POSITIONS, TWO POLARIZATION SLOTS. ON ASSEMBLIES WITH TWO OR THREE POSITIONS, ONE POLARIZATION SLOT.
- $\triangle 5$ SELECT POST TAILS FORMED TO PROVIDE CONNECTOR HOLD DOWN UNTIL SOLDERED. CONFIGURATION ACCEPTS $0.69 [0.027] - 2.03 [0.080]$ THICK PRINTED CIRCUIT BOARD. (SEE DETAIL Z).
- $\triangle 6$.000100 BRIGHT TIN OVER .000050 NICKEL.
- $\triangle 7$ PRELIMINARY PART - NOT RELEASED FOR PRODUCTION.
- $\triangle 8$.000100 MATTE TIN OVER .000050 NICKEL.
- $\triangle 9$ HIGH TEMPERATURE CONFIGURATION.
- $\triangle 10$ STANDOFFS NOT PRESENT ON UNDERSIDE OF ASSEMBLY

$\triangle 6$	23.37 [.920]	25.40 [1.000]	8	9	3-103669-0
$\triangle 6$	8.13 [.320]	10.16 [.400]	2	3	2-103669-9
$\triangle 6$	15.75 [.620]	17.78 [.700]	5	6	2-103669-8
$\triangle 6$	13.21 [.520]	15.24 [.600]	4	5	2-103669-7
$\triangle 6$	10.67 [.420]	12.70 [.500]	3	4	2-103669-6
$\triangle 6$	5.59 [.220]	7.62 [.300]	1	2	2-103669-5
$\triangle 1$	64.01 [2.520]	66.04 [2.600]	24	25	2-103669-4
$\triangle 1$	61.47 [2.420]	63.50 [2.500]	23	24	2-103669-3
$\triangle 1$	58.93 [2.320]	60.96 [2.400]	22	23	2-103669-2
$\triangle 1$	56.39 [2.220]	58.42 [2.300]	21	22	2-103669-1
$\triangle 1$	53.85 [2.120]	55.88 [2.200]	20	21	2-103669-0
$\triangle 1$	51.31 [2.020]	53.34 [2.100]	19	20	1-103669-9
$\triangle 1$	48.77 [1.920]	50.80 [2.000]	18	19	1-103669-8
$\triangle 1$	46.23 [1.820]	48.26 [1.900]	17	18	1-103669-7
$\triangle 1$	43.69 [1.720]	45.72 [1.800]	16	17	1-103669-6
$\triangle 1$	41.15 [1.620]	43.18 [1.700]	15	16	1-103669-5
$\triangle 1$	38.61 [1.520]	40.64 [1.600]	14	15	1-103669-4
$\triangle 1$	36.07 [1.420]	38.10 [1.500]	13	14	1-103669-3
$\triangle 1$	33.53 [1.320]	35.56 [1.400]	12	13	1-103669-2
$\triangle 1$	30.99 [1.220]	33.02 [1.300]	11	12	1-103669-1
$\triangle 1$	28.45 [1.120]	30.48 [1.200]	10	11	1-103669-0
$\triangle 1$	25.91 [1.020]	27.94 [1.100]	9	10	103669-9
$\triangle 1$	23.37 [.920]	25.40 [1.000]	8	9	103669-8
$\triangle 1$	20.83 [.820]	22.86 [.900]	7	8	103669-7
$\triangle 1$	18.29 [.720]	20.32 [.800]	6	7	103669-6
$\triangle 1$	15.75 [.620]	17.78 [.700]	5	6	103669-5
$\triangle 1$	13.21 [.520]	15.24 [.600]	4	5	103669-4
$\triangle 1$	10.67 [.420]	12.70 [.500]	3	4	103669-3
$\triangle 1$	8.13 [.320]	10.16 [.400]	2	3	103669-2
$\triangle 1$	5.59 [.220]	7.62 [.300]	1	2	103669-1
PLATING	C	B	A	NO. OF POSN	PART NO.

THIS DRAWING IS A CONTROLLED DOCUMENT.

DIMENSIONS: INCHES	TOLERANCES UNLESS OTHERWISE SPECIFIED:	APPROVED: M. RIDER	DATE: 2-14-92	NAME: M. RIDER
0 PL ± -	1 PL ± -	2 PL ± -	3 PL ± -	4 PL ± -
ANGLES	± -	APPLIC. SPEC	114-25026	WEIGHT
MATERIAL HOUSING:	SEE TABLE	CUSTOMER DRAWING	SCALE 4:1	SHEET 1 OF 2

TYCO Electronics Corporation
 Harrisburg, Pa 17105-3608

HDR ASSY, VERT, SINGLE ROW
 2.54 [.100] C/L 0.64 [.025] SQ POST
 WITH PLZN, AMPMODU MTE

SIZE: A1
 DRAWING NO: 108-25034
 PART NO: 103669

$\triangle_{9/10}$	\triangle_{8}	64.01 [2.520]	66.04 [2.600]	24	25	7-103669-4
$\triangle_{9/10}$	\triangle_{8}	61.47 [2.420]	63.50 [2.500]	23	24	7-103669-3
$\triangle_{9/10}$	\triangle_{8}	58.93 [2.320]	60.96 [2.400]	22	23	7-103669-2
$\triangle_{9/10}$	\triangle_{8}	56.39 [2.220]	58.42 [2.300]	21	22	7-103669-1
$\triangle_{9/10}$	\triangle_{8}	53.85 [2.120]	55.88 [2.200]	20	21	7-103669-0
$\triangle_{9/10}$	\triangle_{8}	51.31 [2.020]	53.34 [2.100]	19	20	6-103669-9
$\triangle_{9/10}$	\triangle_{8}	48.77 [1.920]	50.80 [2.000]	18	19	6-103669-8
$\triangle_{9/10}$	\triangle_{8}	46.23 [1.820]	48.26 [1.900]	17	18	6-103669-7
$\triangle_{9/10}$	\triangle_{8}	43.69 [1.720]	45.72 [1.800]	16	17	6-103669-6
$\triangle_{9/10}$	\triangle_{8}	41.15 [1.620]	43.18 [1.700]	15	16	6-103669-5
$\triangle_{9/10}$	\triangle_{8}	38.61 [1.520]	40.64 [1.600]	14	15	6-103669-4
$\triangle_{9/10}$	\triangle_{8}	36.07 [1.420]	38.10 [1.500]	13	14	6-103669-3
$\triangle_{9/10}$	\triangle_{8}	33.53 [1.320]	35.56 [1.400]	12	13	6-103669-2
$\triangle_{9/10}$	\triangle_{8}	30.99 [1.220]	33.02 [1.300]	11	12	6-103669-1
$\triangle_{9/10}$	\triangle_{8}	28.45 [1.120]	30.48 [1.200]	10	11	6-103669-0
$\triangle_{9/10}$	\triangle_{8}	25.91 [1.020]	27.94 [1.100]	9	10	5-103669-9
$\triangle_{9/10}$	\triangle_{8}	23.37 [.920]	25.40 [1.000]	8	9	5-103669-8
$\triangle_{9/10}$	\triangle_{8}	20.83 [.820]	22.86 [.900]	7	8	5-103669-7
$\triangle_{9/10}$	\triangle_{8}	18.29 [.720]	20.32 [.800]	6	7	5-103669-6
$\triangle_{9/10}$	\triangle_{8}	15.75 [.620]	17.78 [.700]	5	6	5-103669-5
$\triangle_{9/10}$	\triangle_{8}	13.21 [.520]	15.24 [.600]	4	5	5-103669-4
$\triangle_{9/10}$	\triangle_{8}	10.67 [.420]	12.70 [.500]	3	4	5-103669-3
$\triangle_{9/10}$	\triangle_{8}	8.13 [.320]	10.16 [.400]	2	3	5-103669-2
$\triangle_{9/10}$	\triangle_{8}	5.59 [.220]	7.62 [.300]	1	2	5-103669-1
REMARKS	PLATING	C	B	A	NO. OF POSN	PART NO.

THIS DRAWING IS A CONTROLLED DOCUMENT.		DNW S. SHUEY 3-5-91	Tyco Electronics Corporation Harrisburg, Pa 17105-3608
DIMENSIONS: INCHES		CHK M. RIDER 2-14-92	
TOLERANCES UNLESS OTHERWISE SPECIFIED:		APVD M. RIDER 2-14-92	NAME
0 PL ± -		HDR ASSY, VERT, SINGLE ROW	
1 PL ± -		2.54 [.100] C/L 0.64 [.025] SQ POST	
2 PL ± 0.13[.005]		WITH PLZN, AMPMODU MTE	
3 PL ± -		PRODUCT SPEC	
4 PL ± -		APPLICATION SPEC	
ANGLES ± -		SIZE	
FINISH		CODE	
MATERIAL HOUSING: SEE TABLE		DRAWING NO	
		RESTRICTED TO	
		WEIGHT	
		A1 00779 103669	
		CUSTOMER DRAWING	
		SCALE 4:1 SHEET 2 OF 2 REV AA	