

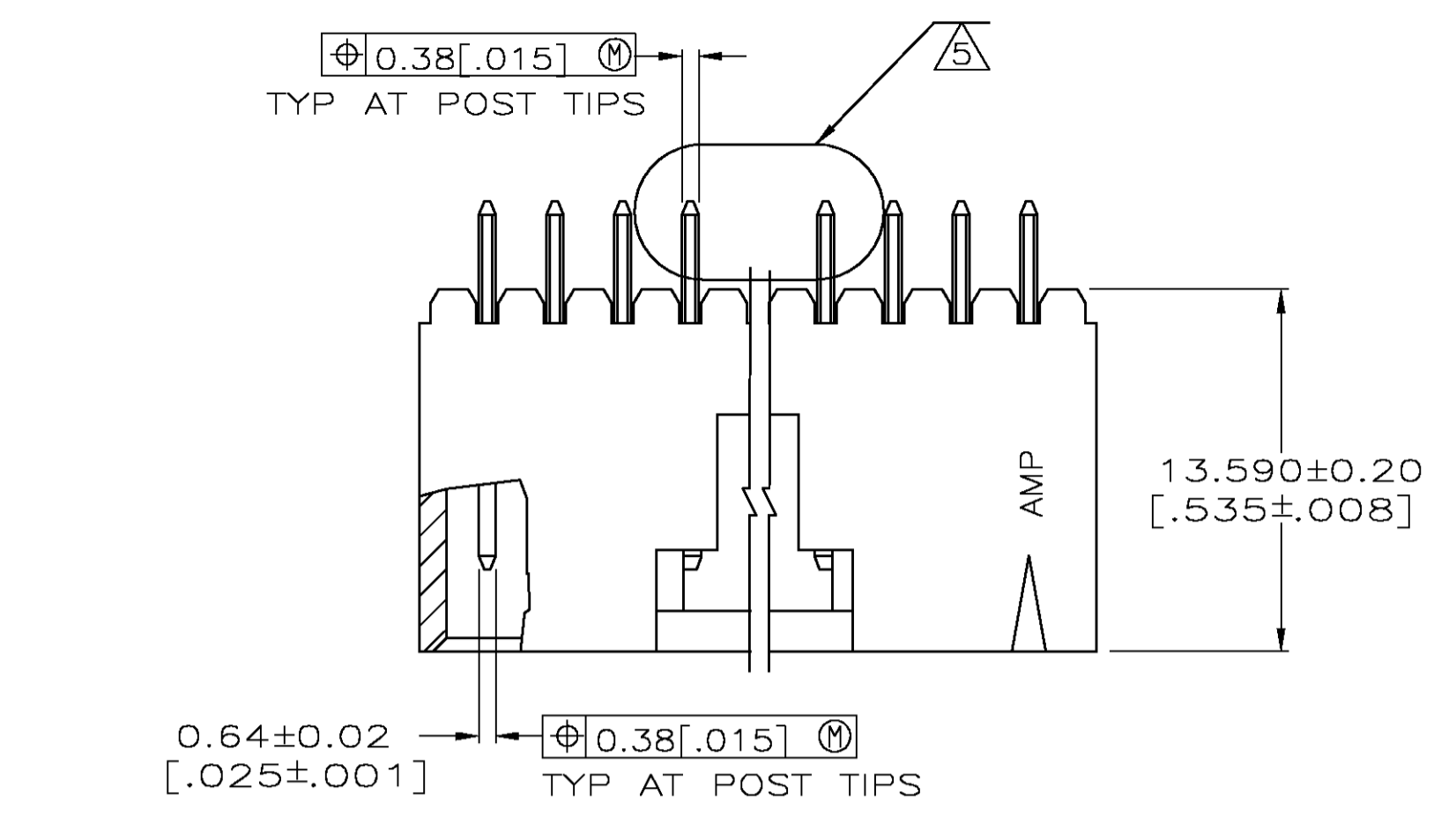
Distributed by:

**JAMECO**<sup>®</sup>  
ELECTRONICS

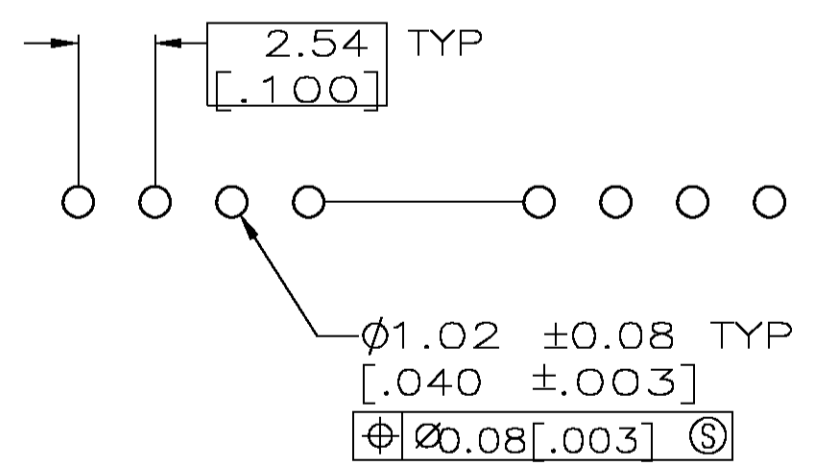
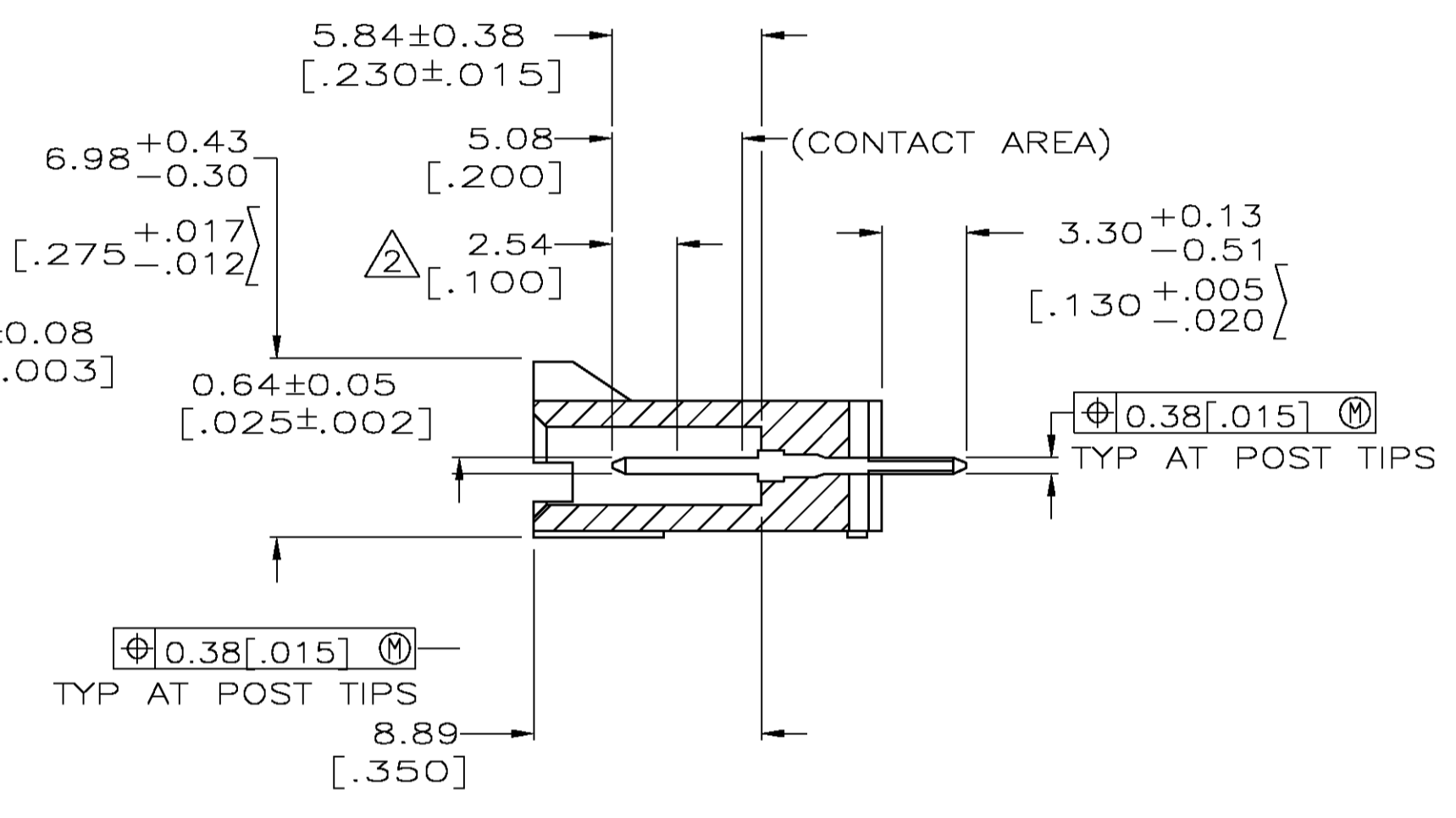
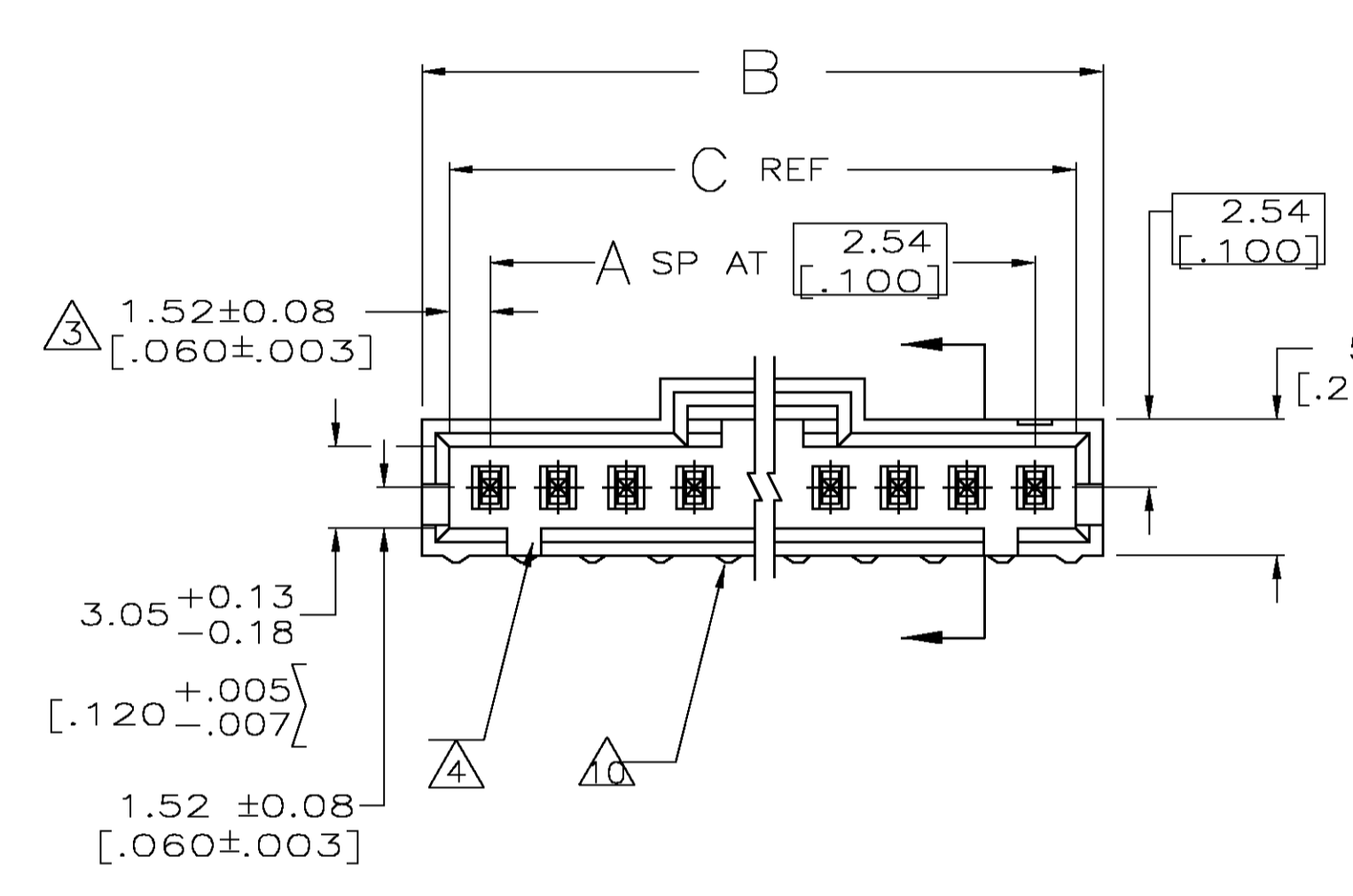
**www.Jameco.com ♦ 1-800-831-4242**

The content and copyrights of the attached  
material are the property of its owner.

Jameco Part Number 747121



DETAIL Z  
 POST DETAIL TYP  
 2 POST MINIMUM



RECOMMENDED HOLE LAYOUT

- △ .000100 BRIGHT TIN-LEAD OVER .000050 NICKEL.
- △ POINT OF MEASUREMENT FOR PLATING THICKNESS.
- △ THE NOTED DIMENSIONS APPLY AT THE INTERSECTION OF THE POST AND THE HOUSING.
- △ ON ASSEMBLIES WITH FOUR OR MORE POSITIONS, TWO POLARIZATION SLOTS.  
ON ASSEMBLIES WITH TWO OR THREE POSITIONS, ONE POLARIZATION SLOT.
- △ SELECT POST TAILS FORMED TO PROVIDE CONNECTOR HOLD DOWN UNTIL SOLDERED. CONFIGURATION ACCEPTS  $0.69 [0.027] - 2.03 [0.080]$  THICK PRINTED CIRCUIT BOARD. ( SEE DETAIL Z ).
- △ .000100 BRIGHT TIN OVER .000050 NICKEL.
- △ PRELIMINARY PART - NOT RELEASED FOR PRODUCTION.
- △ .000100 MATTE TIN OVER .000050 NICKEL.
- △ HIGH TEMPERATURE CONFIGURATION.
- △ STANDOFFS NOT PRESENT ON UNDERSIDE OF ASSEMBLY

△6	23.37 [.920]	25.40 [1.000]	8	9	3-103669-0
△6	8.13 [.320]	10.16 [.400]	2	3	2-103669-9
△6	15.75 [.620]	17.78 [.700]	5	6	2-103669-8
△6	13.21 [.520]	15.24 [.600]	4	5	2-103669-7
△6	10.67 [.420]	12.70 [.500]	3	4	2-103669-6
△6	5.59 [.220]	7.62 [.300]	1	2	2-103669-5
△1	64.01 [2.520]	66.04 [2.600]	24	25	2-103669-4
△1	61.47 [2.420]	63.50 [2.500]	23	24	2-103669-3
△1	58.93 [2.320]	60.96 [2.400]	22	23	2-103669-2
△1	56.39 [2.220]	58.42 [2.300]	21	22	2-103669-1
△1	53.85 [2.120]	55.88 [2.200]	20	21	2-103669-0
△1	51.31 [2.020]	53.34 [2.100]	19	20	1-103669-9
△1	48.77 [1.920]	50.80 [2.000]	18	19	1-103669-8
△1	46.23 [1.820]	48.26 [1.900]	17	18	1-103669-7
△1	43.69 [1.720]	45.72 [1.800]	16	17	1-103669-6
△1	41.15 [1.620]	43.18 [1.700]	15	16	1-103669-5
△1	38.61 [1.520]	40.64 [1.600]	14	15	1-103669-4
△1	36.07 [1.420]	38.10 [1.500]	13	14	1-103669-3
△1	33.53 [1.320]	35.56 [1.400]	12	13	1-103669-2
△1	30.99 [1.220]	33.02 [1.300]	11	12	1-103669-1
△1	28.45 [1.120]	30.48 [1.200]	10	11	1-103669-0
△1	25.91 [1.020]	27.94 [1.100]	9	10	103669-9
△1	23.37 [.920]	25.40 [1.000]	8	9	103669-8
△1	20.83 [.820]	22.86 [.900]	7	8	103669-7
△1	18.29 [.720]	20.32 [.800]	6	7	103669-6
△1	15.75 [.620]	17.78 [.700]	5	6	103669-5
△1	13.21 [.520]	15.24 [.600]	4	5	103669-4
△1	10.67 [.420]	12.70 [.500]	3	4	103669-3
△1	8.13 [.320]	10.16 [.400]	2	3	103669-2
△1	5.59 [.220]	7.62 [.300]	1	2	103669-1
PLATING	C	B	A	NO. OF POSN	PART NO.

THIS DRAWING IS A CONTROLLED DOCUMENT.

DIMENSIONS: INCHES	TOLERANCES UNLESS OTHERWISE SPECIFIED:	0 PLC ± -	1 PLC ± -	2 PLC ± 0.1X[.005]	3 PLC ± -	4 PLC ± -	ANGLES ± -
--------------------	--	-----------	-----------	--------------------	-----------	-----------	------------

MATERIAL HOUSING:	FINISH SEE TABLE	WEIGHT -	SCALE 4:1	SHEET 1 OF 2	REV AA
-------------------	------------------	----------	-----------	--------------	--------

APPROVED: M. RIDER  
 DATE: 2-14-92  
 NAME: M. RIDER  
 PRODUCT SPEC: 108-25034  
 APPLICATION SPEC: 114-25026  
 CUSTOMER DRAWING

TYCO Electronics Corporation  
 Harrisburg, Pa 17105-3608

HDR ASSY, VERT, SINGLE ROW  
 2.54 [1.00] C/L 0.64 [0.25] SQ POST  
 WITH PLZN, AMPMODU MTE

SIZE: A1  
 DRAWING NO: 00779  
 PART NO: 103669

$\triangle_{9/10}$	$\triangle_{8}$	64.01 [2.520]	66.04 [2.600]	24	25	7-103669-4
$\triangle_{9/10}$	$\triangle_{8}$	61.47 [2.420]	63.50 [2.500]	23	24	7-103669-3
$\triangle_{9/10}$	$\triangle_{8}$	58.93 [2.320]	60.96 [2.400]	22	23	7-103669-2
$\triangle_{9/10}$	$\triangle_{8}$	56.39 [2.220]	58.42 [2.300]	21	22	7-103669-1
$\triangle_{9/10}$	$\triangle_{8}$	53.85 [2.120]	55.88 [2.200]	20	21	7-103669-0
$\triangle_{9/10}$	$\triangle_{8}$	51.31 [2.020]	53.34 [2.100]	19	20	6-103669-9
$\triangle_{9/10}$	$\triangle_{8}$	48.77 [1.920]	50.80 [2.000]	18	19	6-103669-8
$\triangle_{9/10}$	$\triangle_{8}$	46.23 [1.820]	48.26 [1.900]	17	18	6-103669-7
$\triangle_{9/10}$	$\triangle_{8}$	43.69 [1.720]	45.72 [1.800]	16	17	6-103669-6
$\triangle_{9/10}$	$\triangle_{8}$	41.15 [1.620]	43.18 [1.700]	15	16	6-103669-5
$\triangle_{9/10}$	$\triangle_{8}$	38.61 [1.520]	40.64 [1.600]	14	15	6-103669-4
$\triangle_{9/10}$	$\triangle_{8}$	36.07 [1.420]	38.10 [1.500]	13	14	6-103669-3
$\triangle_{9/10}$	$\triangle_{8}$	33.53 [1.320]	35.56 [1.400]	12	13	6-103669-2
$\triangle_{9/10}$	$\triangle_{8}$	30.99 [1.220]	33.02 [1.300]	11	12	6-103669-1
$\triangle_{9/10}$	$\triangle_{8}$	28.45 [1.120]	30.48 [1.200]	10	11	6-103669-0
$\triangle_{9/10}$	$\triangle_{8}$	25.91 [1.020]	27.94 [1.100]	9	10	5-103669-9
$\triangle_{9/10}$	$\triangle_{8}$	23.37 [.920]	25.40 [1.000]	8	9	5-103669-8
$\triangle_{9/10}$	$\triangle_{8}$	20.83 [.820]	22.86 [.900]	7	8	5-103669-7
$\triangle_{9/10}$	$\triangle_{8}$	18.29 [.720]	20.32 [.800]	6	7	5-103669-6
$\triangle_{9/10}$	$\triangle_{8}$	15.75 [.620]	17.78 [.700]	5	6	5-103669-5
$\triangle_{9/10}$	$\triangle_{8}$	13.21 [.520]	15.24 [.600]	4	5	5-103669-4
$\triangle_{9/10}$	$\triangle_{8}$	10.67 [.420]	12.70 [.500]	3	4	5-103669-3
$\triangle_{9/10}$	$\triangle_{8}$	8.13 [.320]	10.16 [.400]	2	3	5-103669-2
$\triangle_{9/10}$	$\triangle_{8}$	5.59 [.220]	7.62 [.300]	1	2	5-103669-1
REMARKS	PLATING	C	B	A	NO. OF POSN	PART NO.

THIS DRAWING IS A CONTROLLED DOCUMENT.		DNW S. SHUEY 3-5-91	Tyco Electronics Corporation Harrisburg, Pa 17105-3608
DIMENSIONS: INCHES		CHK M. RIDER 2-14-92	
TOLERANCES UNLESS OTHERWISE SPECIFIED:		APVD M. RIDER 2-14-92	NAME
0 PL ± -		HDR ASSY, VERT, SINGLE ROW	
1 PL ± -		2.54 [.100] C/L 0.64 [.025] SQ POST	
2 PL ± 0.13[.005]		WITH PLZN, AMPMODU MTE	
3 PL ± -		PRODUCT SPEC	
4 PL ± -		APPLICATION SPEC	
ANGLES ± -		SIZE	
FINISH		DRAWING NO	
SEE TABLE		A1 00779 103669	
MATERIAL HOUSING:		RESTRICTED TO	
		CUSTOMER DRAWING	
		SCALE 4:1 SHEET 2 OF 2 REV AA	