

Distributed by:

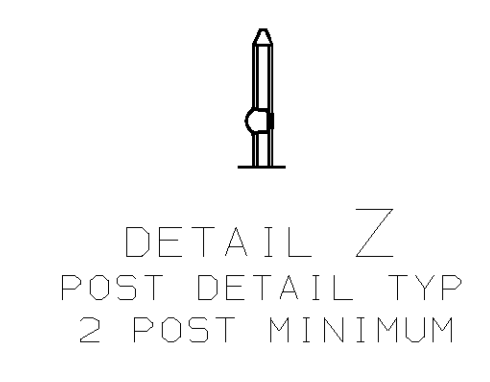
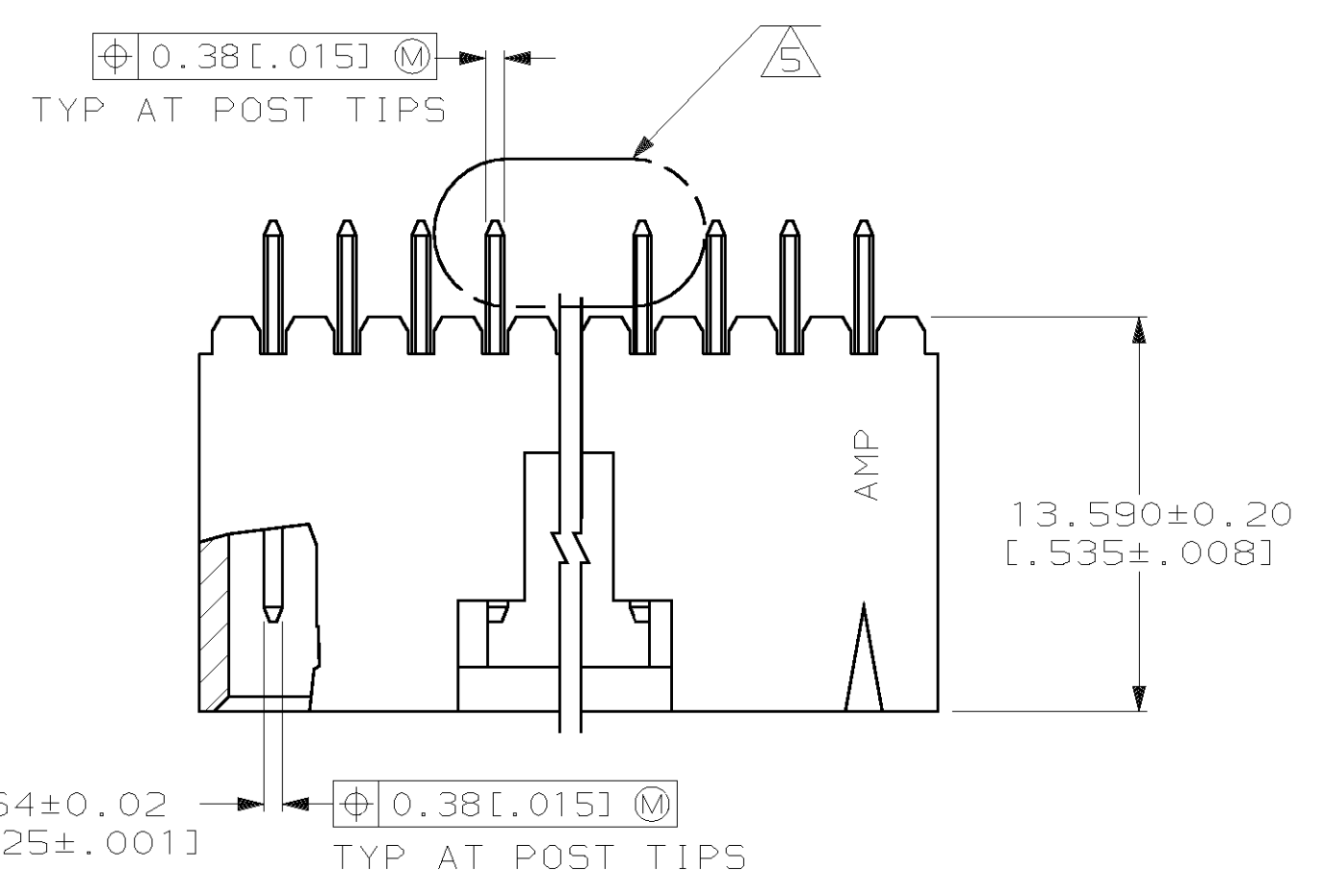
JAMECO[®]
ELECTRONICS

www.Jameco.com ♦ 1-800-831-4242

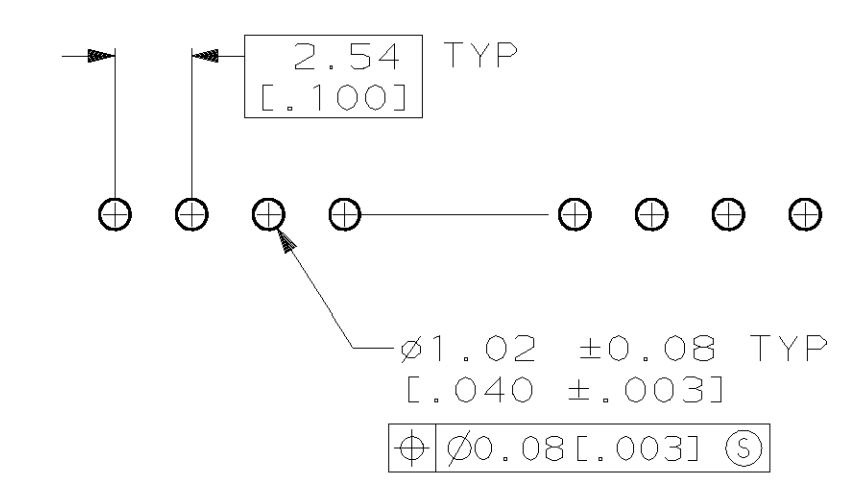
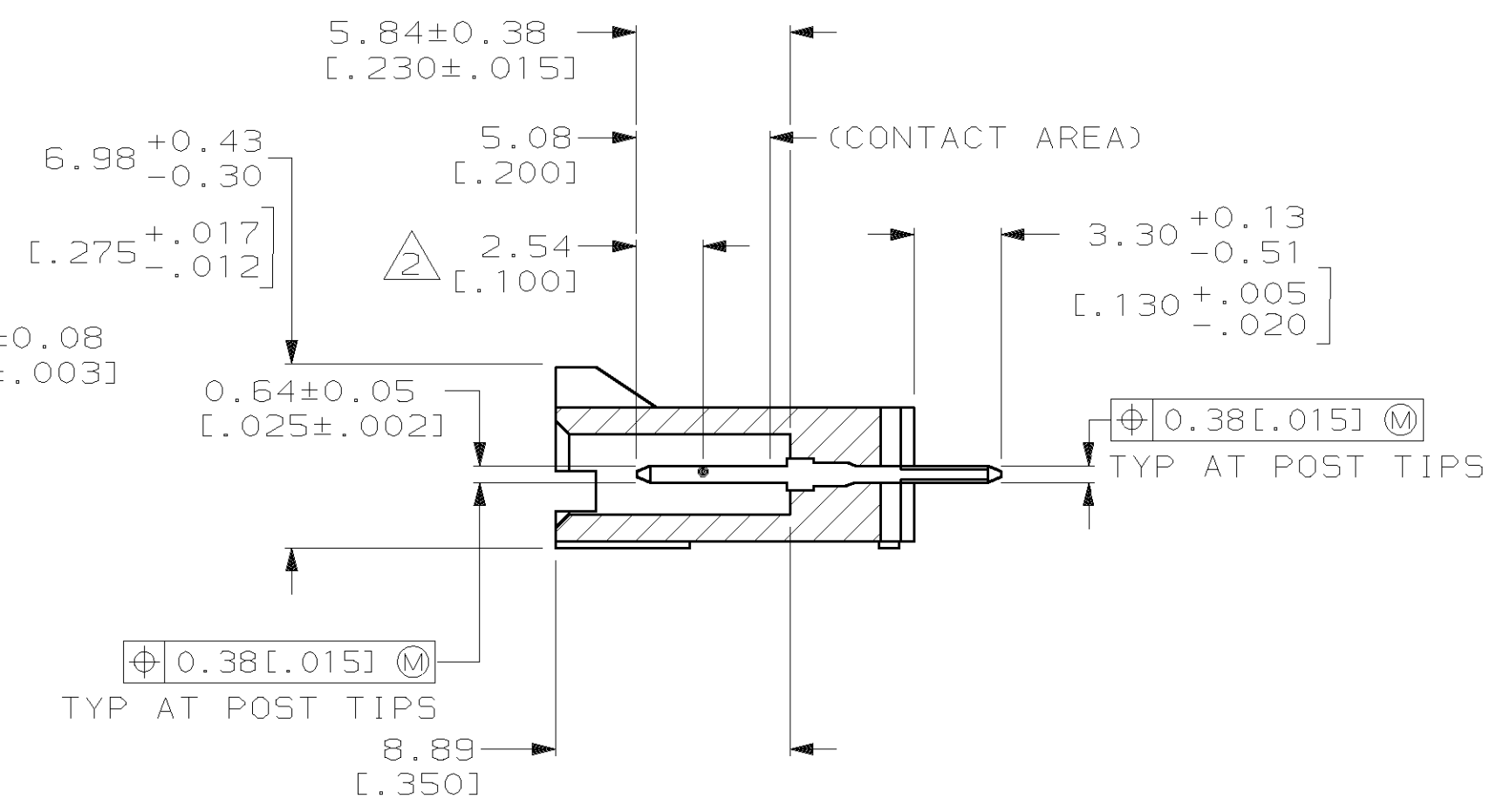
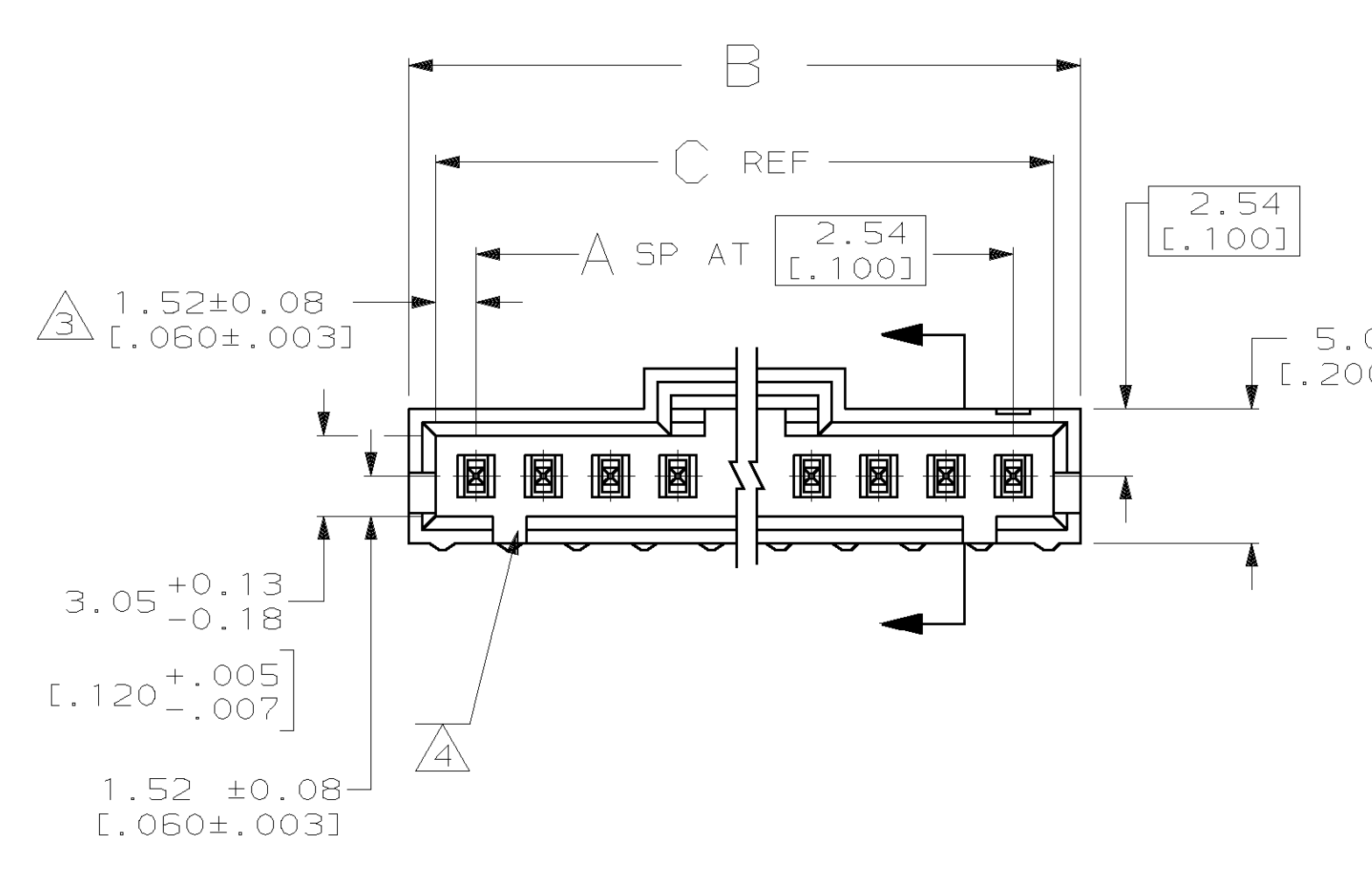
The content and copyrights of the attached
material are the property of its owner.

Jameco Part Number 738232

LOC	DIST	P	F	ZONE	LTR	DESCRIPTION	DATE	APPD
AD	00				F	REV PER AD-5122	-	-
					G	REV PER AD-5705	2-10-92	MR
					H	OBS PER 0010-0831-93	9-10-93	JG
					J	REV PER 0010-0782-93	2-16-94	JG
					K	REV PER 0010-1884-93	2-16-94	JG
					L	REV PER 0010-0104-95	3-3-95	JG
					M	REV PER 0010-0012-96	1-3-96	JG
					N	REV PER 0010-1114-95	1-25-96	JG
					P	REV PER 0310-0040-97	1-28-97	JG
					R	REV PER 0310-0302-97	8-25-97	JH
					S	REV PER EC 063C-0441-00	05FEB01	KW



- ① .00038[.000015] GOLD IN THE CONTACT AREA, .00254[.000100] MATTE TIN-LEAD ON REMAINDER OF CONTACT, ALL OVER .00127[.000050] NICKEL.
- ② POINT OF MEASUREMENT FOR PLATING THICKNESS.
- ③ THE NOTED DIMENSIONS APPLY AT THE INTERSECTION OF THE POST AND THE HOUSING.
- ④ ON ASSEMBLIES WITH FOUR OR MORE POSITIONS, TWO POLARIZATION SLOTS. ON ASSEMBLIES WITH TWO OR THREE POSITIONS, ONE POLARIZATION SLOT.
- ⑤ SELECT POST TAILS FORMED TO PROVIDE CONNECTOR HOLD DOWN UNTIL SOLDERED. CONFIGURATION ACCEPTS 0.69[.027]-2.03[.080] THICK PRINTED CIRCUIT BOARD. (SEE DETAIL Z).



RECOMMENDED HOLE LAYOUT

64.01 [2.520]	66.04 [2.600]	24	25	2-103670-4
61.47 [2.420]	63.50 [2.500]	23	24	2-103670-3
58.93 [2.320]	60.96 [2.400]	22	23	2-103670-2
56.39 [2.220]	58.42 [2.300]	21	22	2-103670-1
53.85 [2.120]	55.88 [2.200]	20	21	2-103670-0
51.31 [2.020]	53.34 [2.100]	19	20	1-103670-9
48.77 [1.920]	50.80 [2.000]	18	19	1-103670-8
46.23 [1.820]	48.26 [1.900]	17	18	1-103670-7
43.69 [1.720]	45.72 [1.800]	16	17	1-103670-6
41.15 [1.620]	43.18 [1.700]	15	16	1-103670-5
38.61 [1.520]	40.64 [1.600]	14	15	1-103670-4
36.07 [1.420]	38.10 [1.500]	13	14	1-103670-3
33.53 [1.320]	35.56 [1.400]	12	13	1-103670-2
30.99 [1.220]	33.02 [1.300]	11	12	1-103670-1
28.45 [1.120]	30.48 [1.200]	10	11	1-103670-0
25.91 [1.020]	27.94 [1.100]	9	10	103670-9
23.37 [0.920]	25.40 [1.000]	8	9	103670-8
20.83 [0.820]	22.86 [0.900]	7	8	103670-7
18.29 [0.720]	20.32 [0.800]	6	7	103670-6
15.75 [0.620]	17.78 [0.700]	5	6	103670-5
13.21 [0.520]	15.24 [0.600]	4	5	103670-4
10.67 [0.420]	12.70 [0.500]	3	4	103670-3
8.13 [0.320]	10.16 [0.400]	2	3	103670-2
5.59 [0.220]	7.62 [0.300]	1	2	103670-1
C	B	A	NO. OF POSN	PART NO.

PART NO		PART NO	
DO NOT SCALE PRINT. UNLESS SPECIFIED DIMENSIONS IN mm [INCHES] TOLERANCES ON:	DR 3-5-91 S. SHUEY	AMP AMP Incorporated Harrisburg, PA 17105-3508 NAME HDR ASSY, VERT, SINGLE ROW 2.54[.100]Ø, 0.64[.025] SQ POST, WITH PLZN & RETENTIVE POSTS, AMPMODU MTE	
2 PLC DEC ± 0.13[.005]	CHK 2-14-92 M. RIDER		
3 PLC DEC ± -	APPD 2-14-92 M. RIDER		
ANGLES ± -	APPD 2-14-92 R. FELIX	PRODUCT SPEC	108-25034
MATERIAL HOUSING: FLAME RETARDANT THERMOPLASTIC COLOR - BLACK	CONTACTS: BRASS	APPLICATION SPEC	114-25026
FINISH		SIZE	D
		CAGE CODE	00779
		DRAWING NO	103670
		SCALE	4:1
		SHEET	1 OF 1

