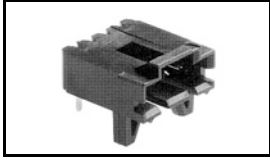


## 103673-1 Product Details

[Share](#) [Print](#) [Email](#)



**103673-1**

TE Internal Number: 103673-1

 Active

[View 3D PDF](#)

### .100 AMPMODU Headers, Housings & Contacts

Not EU RoHS or ELV Compliant (Find RoHS Compliant Alternates)

#### Product Highlights:

- Connector
- Header
- Connector Style = Plug
- Contact Type = Pin
- 2.54 mm Centerline

[View all Features](#)

### Quick Links

- ▶ [Pricing & Availability](#)
- ▶ [Search for Tooling](#)
- ▶ [View Mating Products \(1\)](#)
- ▶ [Product Feature Selector](#)
- ▶ [Contact Us About This Product](#)

[Add to My Part List](#)

[Request Sample](#)

[Find Similar Products](#)

[Buy Product](#)

## Documentation & Additional Information

### Product Drawings:

- [HDR ASSY, RTANG, SINGLE ROW 2.54\[.100\] C/L 0.641\[.02...](#) (PDF, English)

### Catalog Pages/Data Sheets:

- [AMPMODU\\_MTE\\_INTERCONNECT\\_SYSTEM\\_QRG\\_4-1773458-0](#) (PDF, English)

### Product Specifications:

- None Available

### Application Specifications:

- [AMPMODU MTE Interconnection System](#) (PDF, English)

### Instruction Sheets:

- [AMP\\* AMPMODU\\* MTE CONNECTORS](#) (PDF, English)

### CAD Files: (CAD Format & Compression Information)

- [2D Drawing](#) (DXF, Version T1)
- [3D Model](#) (IGES, Version T1)
- [3D Model](#) (STEP, Version T1)

[List all Documents](#)

### Additional Information:

- [Product Line Information](#)

### Related Products:

- [Tooling](#)
- [Mating Products \(1\)](#)

## Product Features (Please use the Product Drawing for all design activity)

### Product Type Features:

- Product Type = Connector
- Connector Type = Header
- Post Size (mm [in]) = 0.64 [.025]
- PCB Mounting Orientation = Right Angle
- PCB Mount Style = Through Hole
- PCB Mount Retention = With
- PCB Orientation Feature = No
- Connector Series = MTE

### Electrical Characteristics:

- Contact - Rated Current (A) = 3
- Termination Resistance (mΩ) = 15
- Insulation Resistance (MΩ) = 5,000
- Dielectric Withstanding Voltage (V) = 600

### Housing Features:

- Connector Style = Plug
- Centerline (mm [in]) = 2.54 [0.100]
- Mating Alignment = With
- Mating Alignment Type = Latched
- Housing Color = Black
- Housing Material = Thermoplastic - GF

### Configuration Features:

- Number of Positions = 2
- Number of Rows = 1

### Industry Standards:

- [RoHS/ELV Compliance](#) = Not ELV/RoHS compliant
- [Lead Free Solder Processes](#) = Wave solder capable to 240°C
- UL Flammability Rating = UL 94V-0

**Termination Features:**

- [Termination Method to Wire/Cable](#) = Crimp, Insulation Displacement Crimp (IDC)

**Body Features:**

- Row-to-Row Spacing (mm [in]) = 2.54 [0.100]

**Contact Features:**

- Contact Type = Pin
- [Contact Plating, Mating Area, Material](#) = Gold (15)
- Solder Tail Contact Plating = Tin-Lead
- Contact Base Material = Brass
- Contact Shape = Square

- Approved Standards = CSA LR7189, UL E28476

**Environmental:**

- Operating Temperature (°C) = -65 - +105

**Conditions for Usage:**

- [Applies To](#) = Printed Circuit Board

**Packaging Features:**

- Packaging Method = Tube

**Other:**

- Brand = AMP
- Comment = Use Keying Tool No. 91417-1 to remove post for keying.

**Corporate Information**

[About TE](#)  
[Investors](#)  
[News Room](#)  
[Supplier Portal](#)  
[Careers](#)  
[Terms & Conditions](#)  
[Privacy Policy](#)  
[AODA Accessibility Policy](#)  
[AODA Multi-Year Accessibility Plan](#)

**Quick Links**

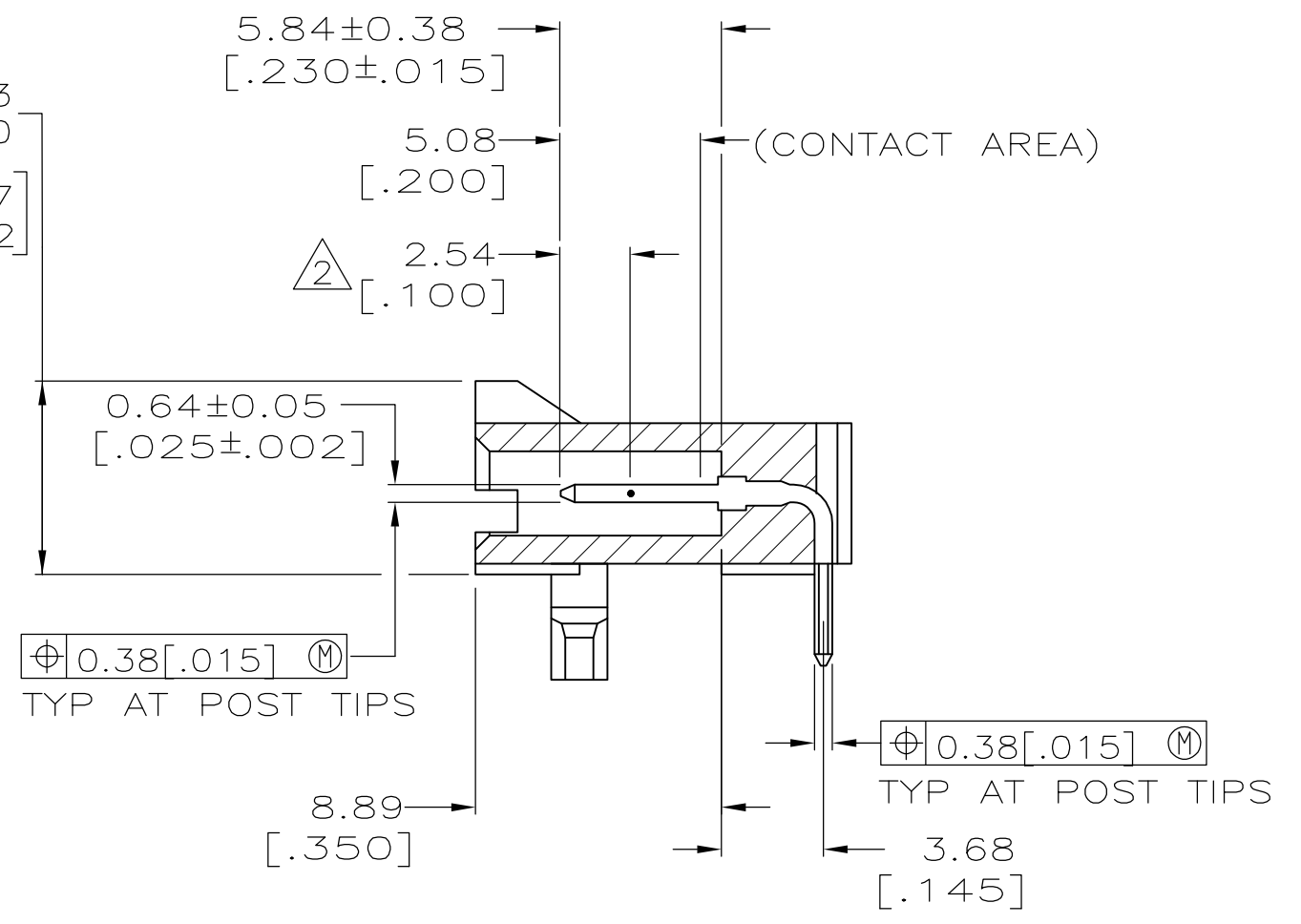
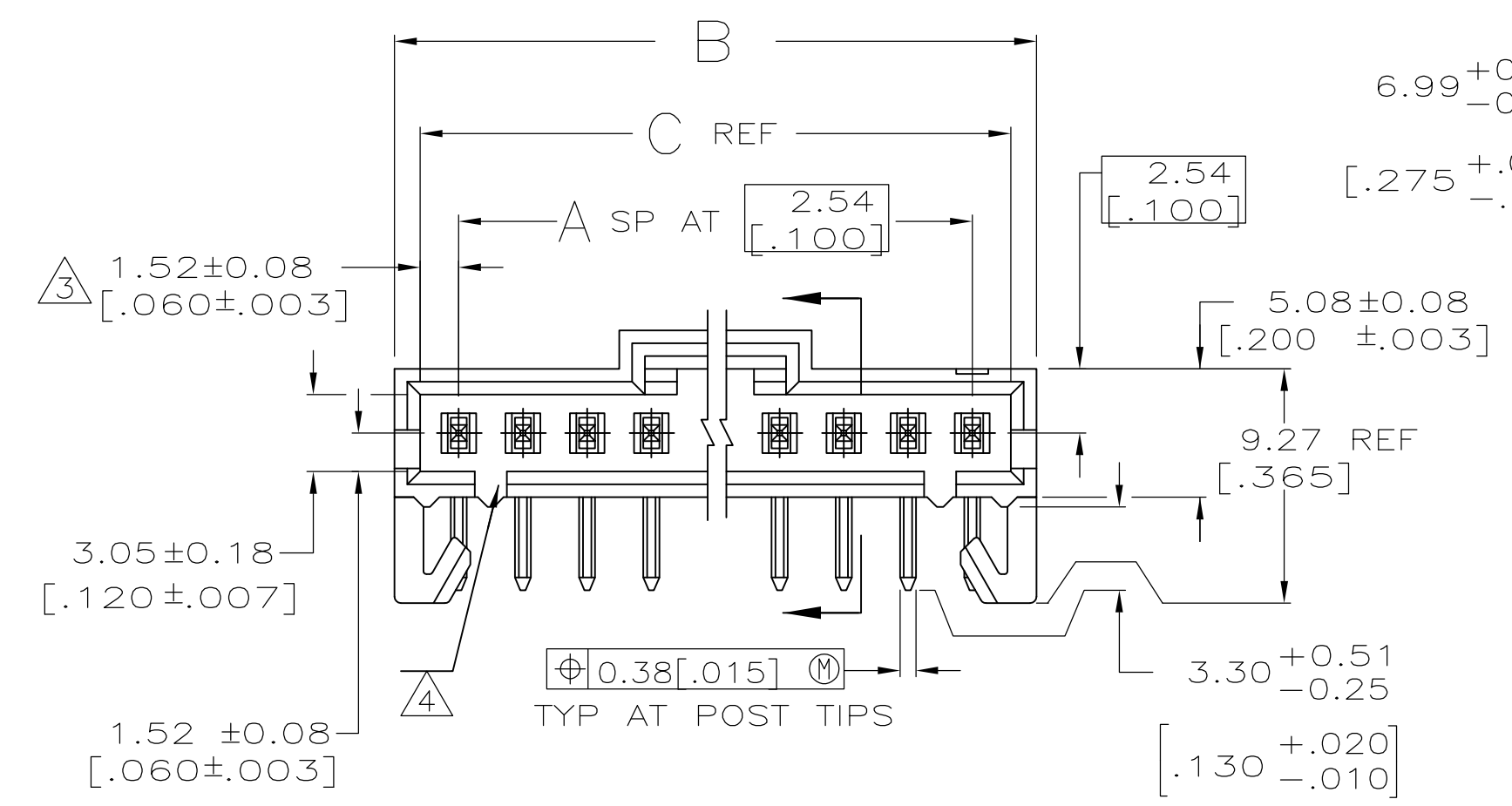
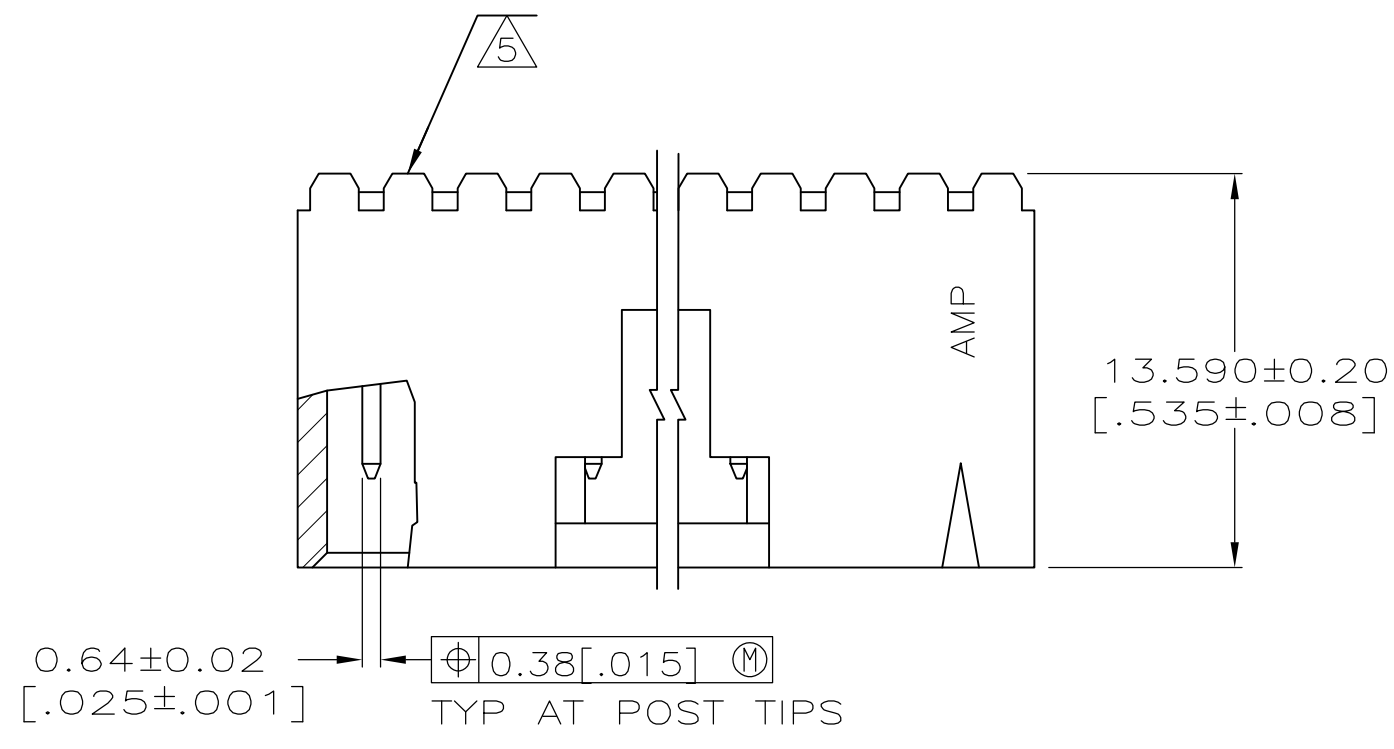
[Distributor Inventory](#)  
[Product Cross Reference](#)  
[Documents & Drawings](#)  
[Product Compliance Support Center](#)  
[Site Map](#)

**Customer Support**

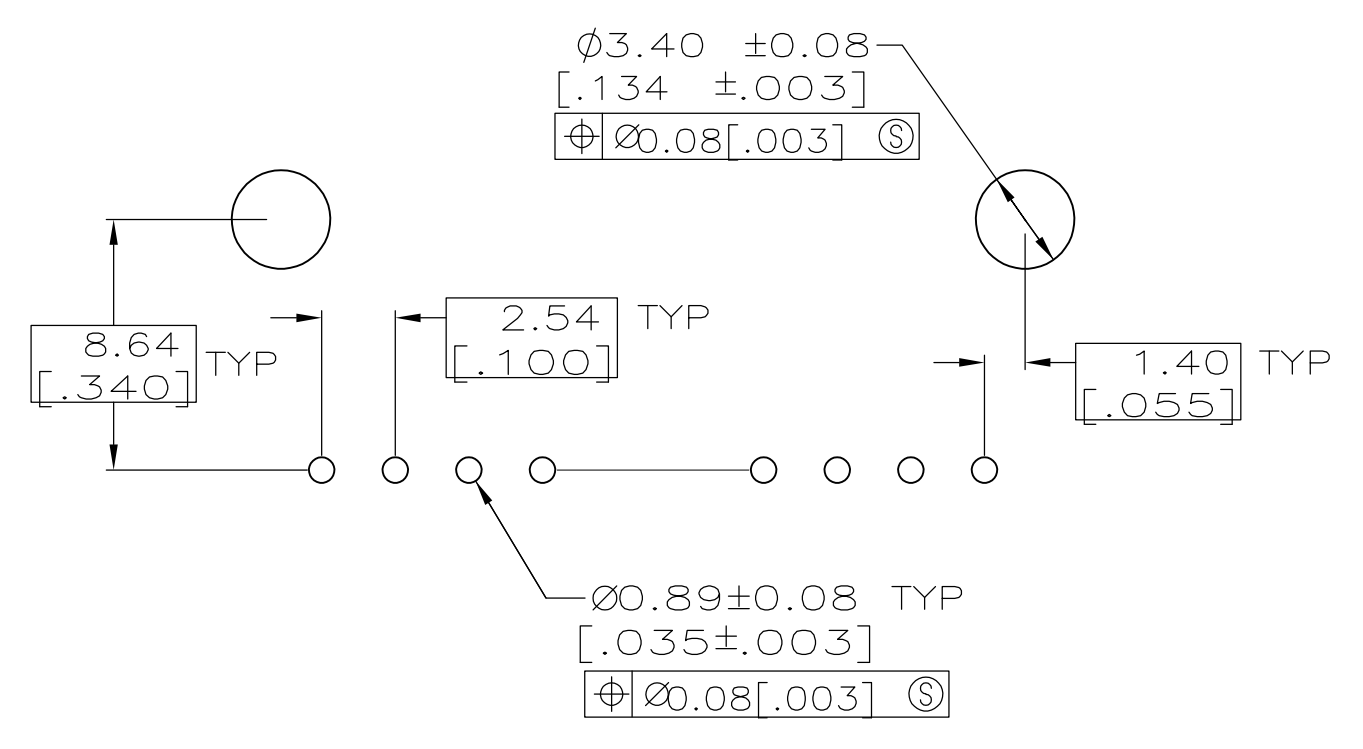
[Email or Chat With Us](#)  
[Find a Phone Number](#)  
[Knowledge Base](#)  
[Manage Your Account](#)

**Keep Me Informed**

LOC	DIST	REVISIONS					
AD	00	P	LTR	DESCRIPTION	DATE	DWN	APPD
		T3		REVISED PER ECO-11-004587	11MAR11	RK	HMR



- ① .00038[.000015] GOLD IN THE CONTACT AREA, .00254[.000100] MATTE TIN-LEAD ON REMAINDER OF CONTACT, ALL OVER .00127[.000050] NICKEL.
- ② POINT OF MEASUREMENT FOR PLATING THICKNESS.
- ③ THE NOTED DIMENSIONS APPLY AT THE INTERSECTION OF THE POST AND THE HOUSING.
- ④ ON ASSEMBLIES WITH FOUR OR MORE POSITIONS, TWO POLARIZATION SLOTS. ON ASSEMBLIES WITH TWO OR THREE POSITIONS, ONE POLARIZATION SLOT.
- ⑤ AMP TRADEMARK MOLDED ON THIS SURFACE.
- 6. FOR USE WITH 1.57±0.20[.062±0.008] PRINTED CIRCUIT BOARD.
- ⑥ .00038[.000015] GOLD IN THE CONTACT AREA, .00254[.000100] MATTE TIN ON REMAINDER OF CONTACT, ALL OVER .00127[.000050] NICKEL.
- ⑦ PRELIMINARY PART - NOT RELEASED FOR PRODUCTION.
- ⑧ HIGH TEMPERATURE CONFIGURATION.
- ⑨ OBSOLETE PARTS: OBSOLETE CIS STREAMLINING PER D.RENAUD/D.SINISI



RECOMMENDED HOLE LAYOUT

SEE SHEET 2 FOR PART NUMBER TABLES

THIS DRAWING IS A CONTROLLED DOCUMENT.		DWN S. SHUEY	05MAR91	 TE Connectivity
DIMENSIONS: mm [INCHES]		CHK J. GESFORD	05MAR91	
TOLERANCES UNLESS OTHERWISE SPECIFIED:		APVD J. GESFORD	05MAR91	NAME
0 PLC ± -		PRODUCT SPEC		HDR ASSY, RTANG, SINGLE ROW
2 PLC ± -		108-25034		2.54[.100] C/L 0.641[.025] SQ. POST,
3 PLC ± 0.13[.005]		APPLICATION SPEC		WITH PLZN & HOLD DOWNS, AMPMODU MTE
4 PLC ± -		114-25026		SIZE
ANGLES ± -		WEIGHT		CAGE CODE
FINISH SEE TABLE		CUSTOMER DRAWING		DRAWING NO
		SCALE 4:1		RESTRICTED TO
		SHEET 1 OF 2		REV T3

THIS DRAWING IS UNPUBLISHED. RELEASED FOR PUBLICATION  
 © COPYRIGHT - By - ALL RIGHTS RESERVED.

LOC	DIST	REVISIONS					
AD	00	P	LTR	DESCRIPTION	DATE	OWN	APVD
		-	-	SEE SHEET 1	-	-	-

9	7	64.01	66.04	24	25	7-103673-4	OBSOLETE	10
		[2.520]	[2.600]					
9	7	61.47	63.50	23	24	7-103673-3		
		[2.420]	[2.500]					
9	7	58.93	60.96	22	23	7-103673-2	OBSOLETE	10
		[2.320]	[2.400]					
9	7	56.39	58.42	21	22	7-103673-1	OBSOLETE	10
		[2.220]	[2.300]					
9	7	53.85	55.88	20	21	7-103673-0	OBSOLETE	10
		[2.120]	[2.200]					
9	7	51.31	53.34	19	20	6-103673-9		
		[2.020]	[2.100]					
9	7	48.77	50.80	18	19	6-103673-8	OBSOLETE	10
		[1.920]	[2.000]					
9	7	46.23	48.26	17	18	6-103673-7	OBSOLETE	10
		[1.820]	[1.900]					
9	7	43.69	45.72	16	17	6-103673-6		
		[1.720]	[1.800]					
9	7	41.15	43.18	15	16	6-103673-5		
		[1.620]	[1.700]					
9	7	38.61	40.64	14	15	6-103673-4		
		[1.520]	[1.600]					
9	7	36.07	38.10	13	14	6-103673-3		
		[1.420]	[1.500]					
9	7	33.53	35.56	12	13	6-103673-2	OBSOLETE	10
		[1.320]	[1.400]					
9	7	30.99	33.02	11	12	6-103673-1		
		[1.220]	[1.300]					
9	7	28.45	30.48	10	11	6-103673-0		
		[1.120]	[1.200]					
9	7	25.91	27.94	9	10	5-103673-9		
		[1.020]	[1.100]					
9	7	23.37	25.40	8	9	5-103673-8		
		[.920]	[1.000]					
9	7	20.83	22.86	7	8	5-103673-7		
		[.820]	[.900]					
9	7	18.29	20.32	6	7	5-103673-6		
		[.720]	[.800]					
9	7	15.75	17.78	5	6	5-103673-5		
		[.620]	[.700]					
9	7	13.21	15.24	4	5	5-103673-4		
		[.520]	[.600]					
9	7	10.67	12.70	3	4	5-103673-3		
		[.420]	[.500]					
9	7	8.13	10.16	2	3	5-103673-2		
		[.320]	[.400]					
9	7	5.59	7.62	1	2	5-103673-1		
		[.220]	[.300]					
REMARKS	PLATING	C	B	A	NO. OF POSN	PART NO.		

8	7	41.15	43.18	15	16	2-103673-6		
		[1.620]	[1.700]					
8	7	18.29	20.32	6	7	2-103673-5		
		[.720]	[.800]					
1	1	64.01	66.04	24	25	2-103673-4		
		[2.520]	[2.600]					
1	1	61.47	63.50	23	24	2-103673-3		
		[2.420]	[2.500]					
1	1	58.93	60.96	22	23	2-103673-2	OBSOLETE	10
		[2.320]	[2.400]					
1	1	56.39	58.42	21	22	2-103673-1		
		[2.220]	[2.300]					
1	1	53.85	55.88	20	21	2-103673-0	OBSOLETE	10
		[2.120]	[2.200]					
1	1	51.31	53.34	19	20	1-103673-9		
		[2.020]	[2.100]					
1	1	48.77	50.80	18	19	1-103673-8	OBSOLETE	10
		[1.920]	[2.000]					
1	1	46.23	48.26	17	18	1-103673-7		
		[1.820]	[1.900]					
1	1	43.69	45.72	16	17	1-103673-6		
		[1.720]	[1.800]					
1	1	41.15	43.18	15	16	1-103673-5		
		[1.620]	[1.700]					
1	1	38.61	40.64	14	15	1-103673-4		
		[1.520]	[1.600]					
1	1	36.07	38.10	13	14	1-103673-3		
		[1.420]	[1.500]					
1	1	33.53	35.56	12	13	1-103673-2	OBSOLETE	10
		[1.320]	[1.400]					
1	1	30.99	33.02	11	12	1-103673-1		
		[1.220]	[1.300]					
1	1	28.45	30.48	10	11	1-103673-0		
		[1.120]	[1.200]					
1	1	25.91	27.94	9	10	103673-9		
		[1.020]	[1.100]					
1	1	23.37	25.40	8	9	103673-8		
		[.920]	[1.000]					
1	1	20.83	22.86	7	8	103673-7		
		[.820]	[.900]					
1	1	18.29	20.32	6	7	103673-6		
		[.720]	[.800]					
1	1	15.75	17.78	5	6	103673-5		
		[.620]	[.700]					
1	1	13.21	15.24	4	5	103673-4		
		[.520]	[.600]					
1	1	10.67	12.70	3	4	103673-3		
		[.420]	[.500]					
1	1	8.13	10.16	2	3	103673-2		
		[.320]	[.400]					
1	1	5.59	7.62	1	2	103673-1		
		[.220]	[.300]					
PLATING	C	B	A	NO. OF POSN	PART NO.			

THIS DRAWING IS A CONTROLLED DOCUMENT.

DIMENSIONS: mm [INCHES]	TOLERANCES UNLESS OTHERWISE SPECIFIED: 0 PLC ± - 1 PLC ± - 2 PLC ± 0.13[.005] 3 PLC ± - 4 PLC ± - ANGLES ± -	OWN: S. SHUEY CHK: J. GESFORD APVD: J. GESFORD	OSMAR91 OSMAR91 OSMAR91	NAME: HDR ASSY, RTANG, SINGLE ROW 2.54[.100] C/L 0.641[.025] SQ. POST. WITH PLZN & HOLD DOWNS, AMPMODU MTE
MATERIAL: -	FINISH: SEE TABLE	PRODUCT SPEC: 108-25034 APPLICATION SPEC: 114-25026	SIZE: A1 CAGE CODE: 100779 DRAWING NO: 103673	RESTRICTED TO: -
CUSTOMER DRAWING		SCALE: 4:1	SHEET: 2 OF 2	REV: T3