

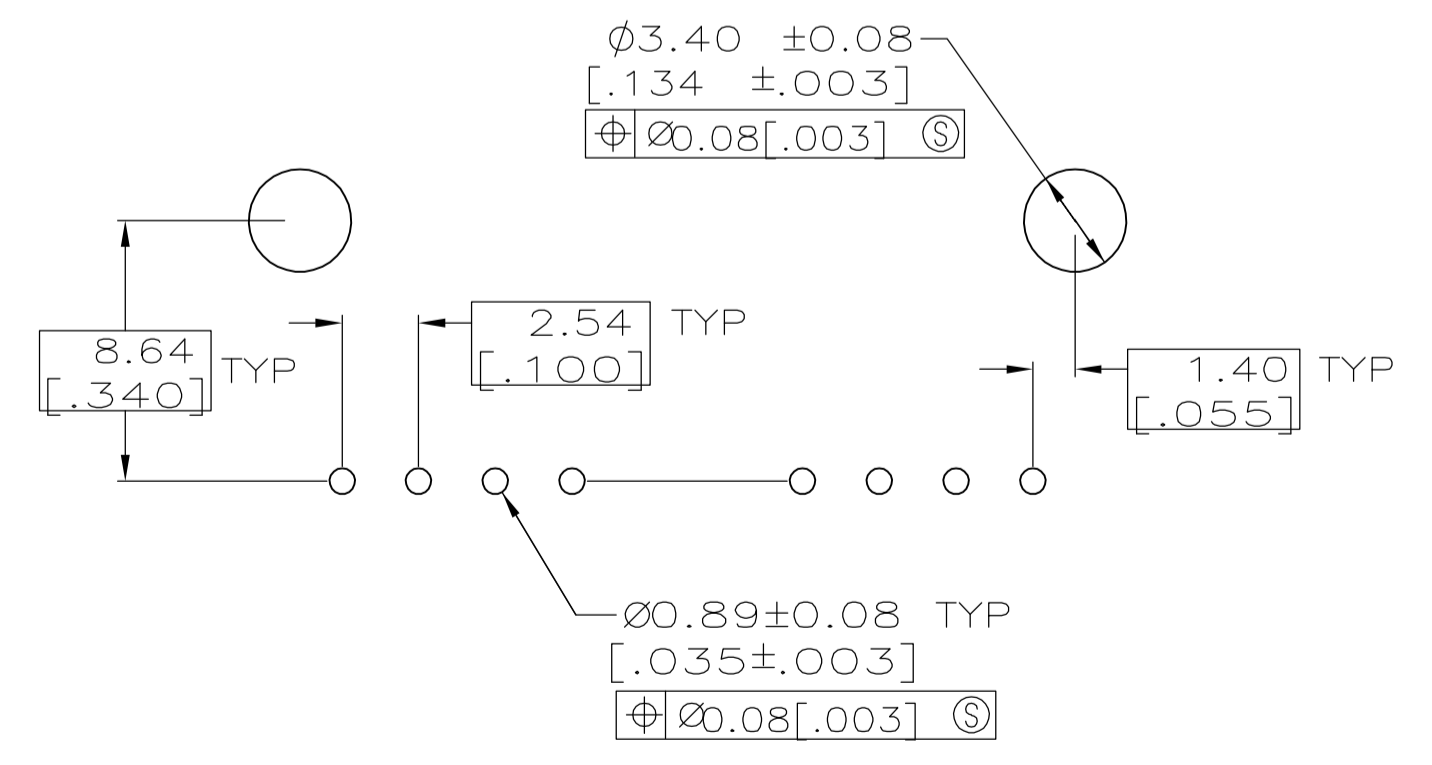
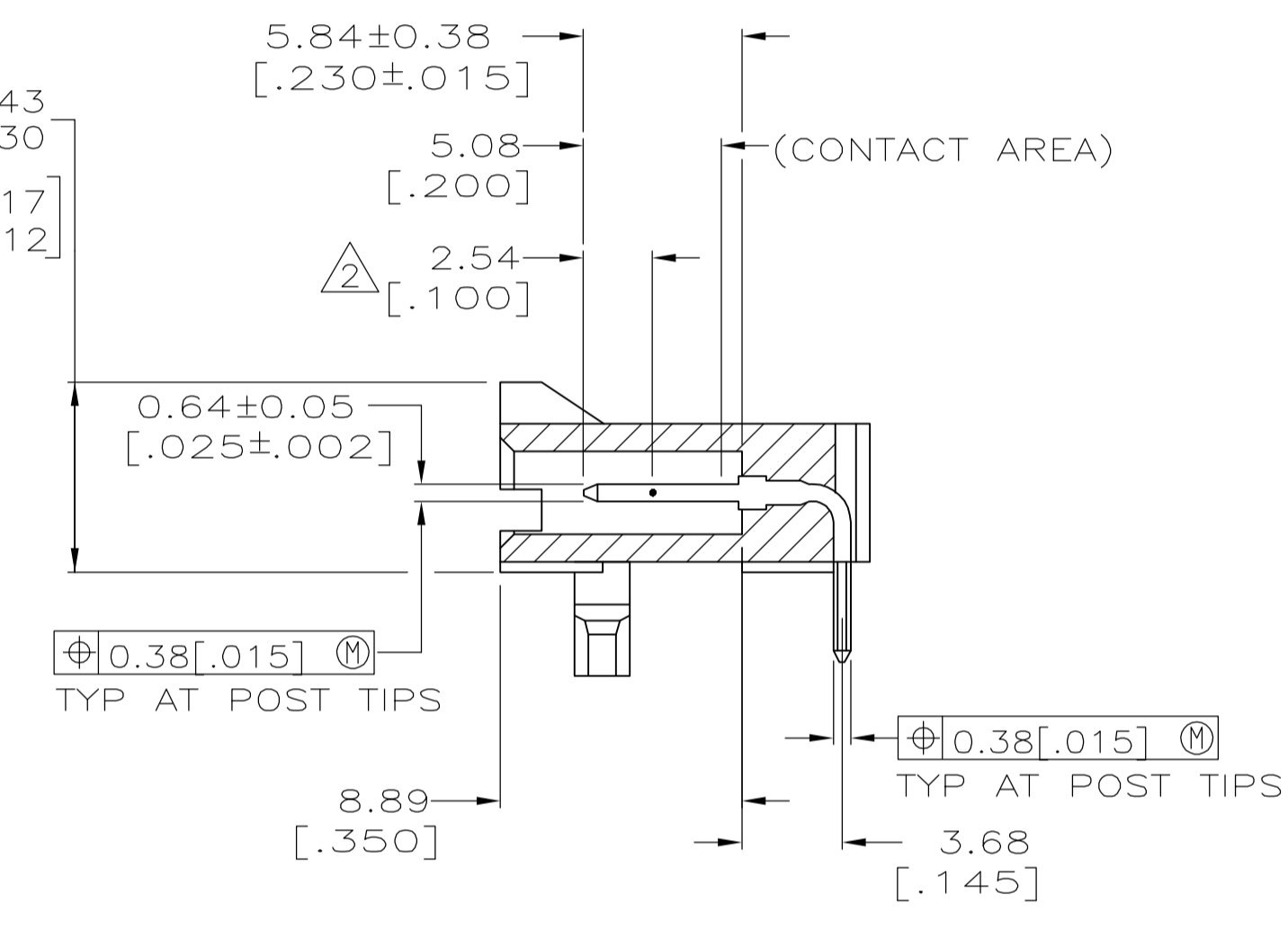
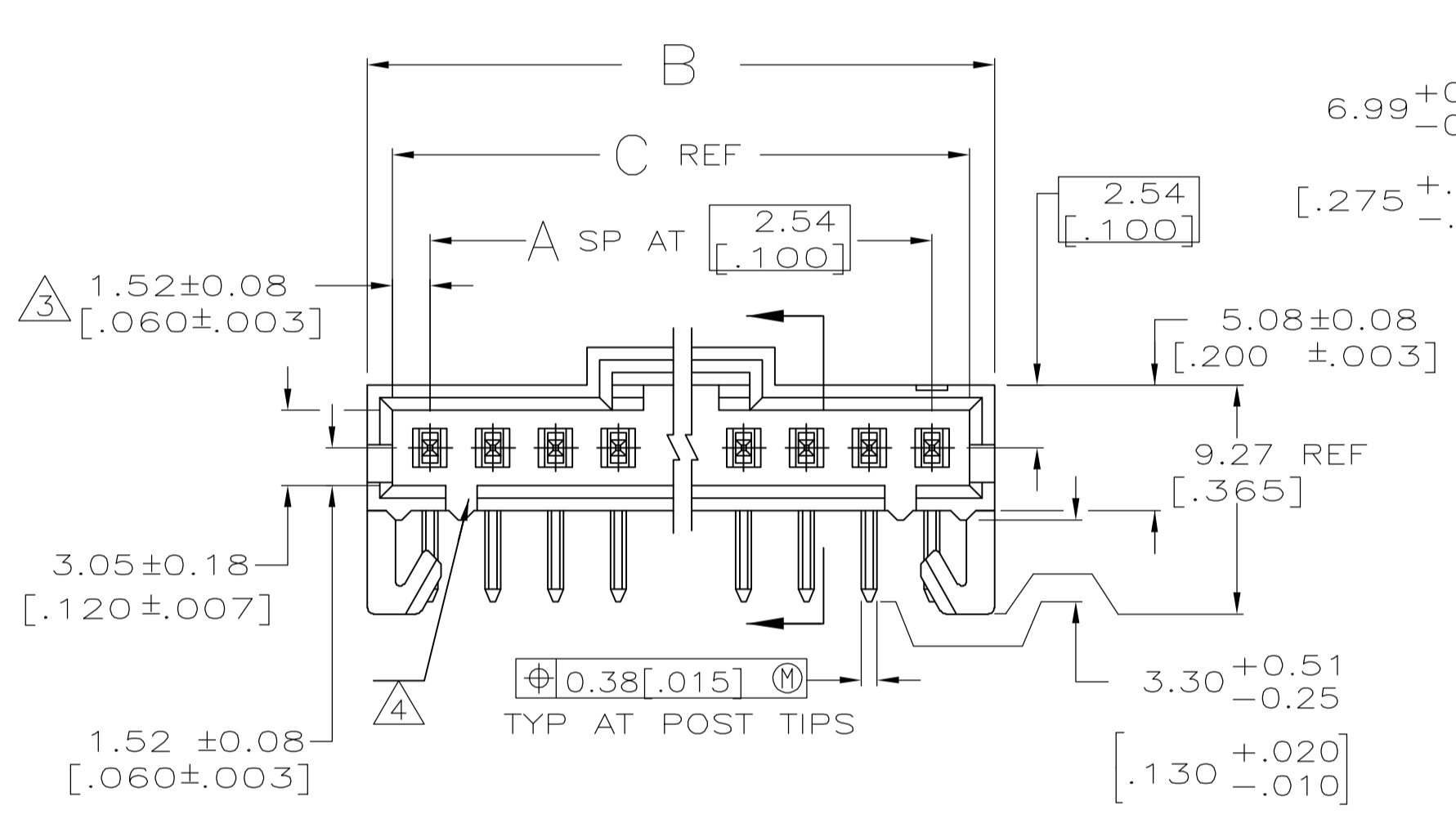
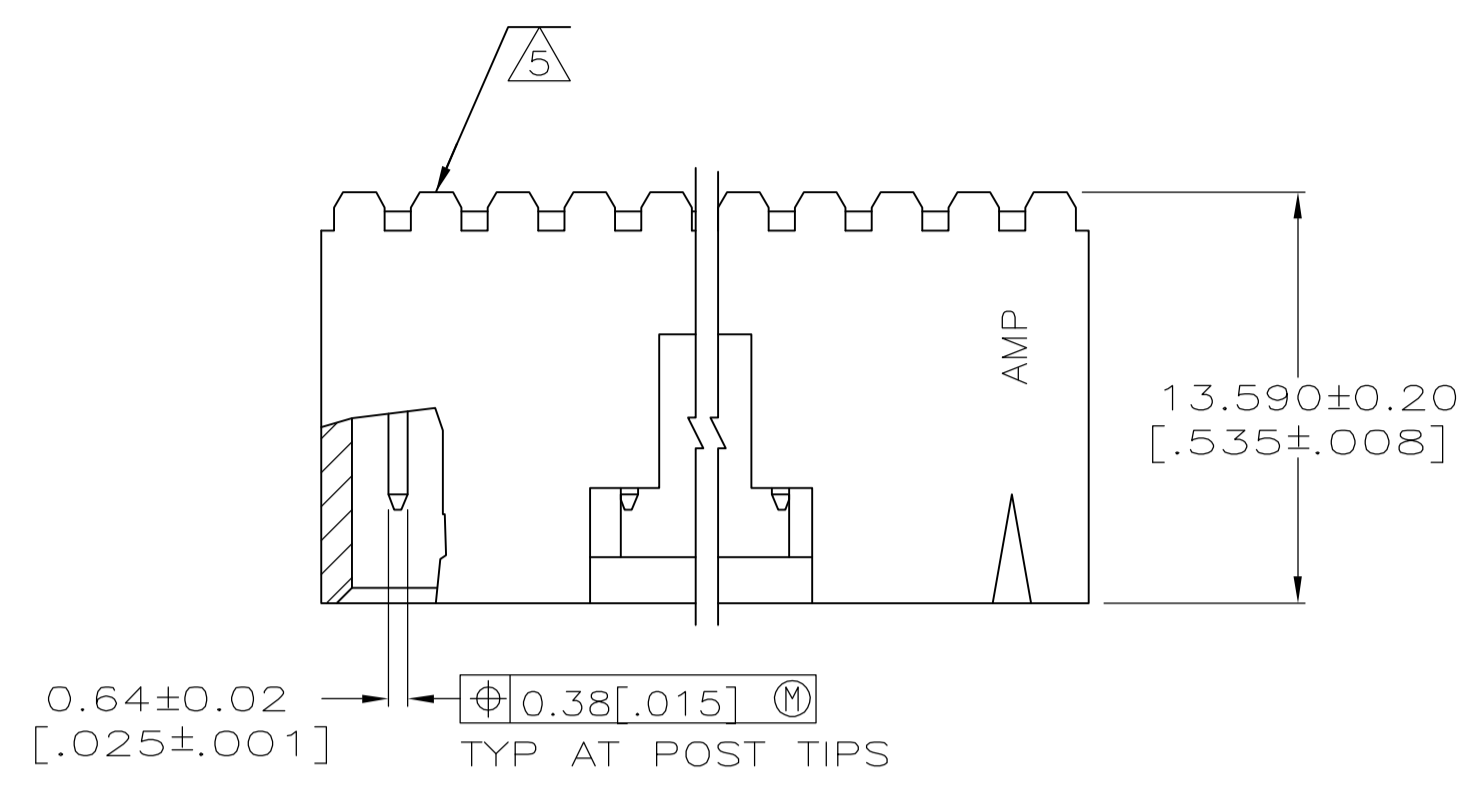
Distributed by:

**JAMECO**<sup>®</sup>  
ELECTRONICS

**www.Jameco.com ♦ 1-800-831-4242**

The content and copyrights of the attached  
material are the property of its owner.

Jameco Part Number 747180



- ① .00038[.000015] GOLD IN THE CONTACT AREA, .00254[.000100] MATTE TIN-LEAD ON REMAINDER OF CONTACT, ALL OVER .00127[.000050] NICKEL.
- ② POINT OF MEASUREMENT FOR PLATING THICKNESS.
- ③ THE NOTED DIMENSIONS APPLY AT THE INTERSECTION OF THE POST AND THE HOUSING.
- ④ ON ASSEMBLIES WITH FOUR OR MORE POSITIONS, TWO POLARIZATION SLOTS. ON ASSEMBLIES WITH TWO OR THREE POSITIONS, ONE POLARIZATION SLOT.
- ⑤ AMP TRADEMARK MOLDED ON THIS SURFACE.
- 6. FOR USE WITH 1.57±0.20[.062±0.008] PRINTED CIRCUIT BOARD.
- ⑥ .00038[.000015] GOLD IN THE CONTACT AREA, .00254[.000100] MATTE TIN ON REMAINDER OF CONTACT, ALL OVER .00127[.000050] NICKEL.
- ⑧ PRELIMINARY PART - NOT RELEASED FOR PRODUCTION.
- ⑨ HIGH TEMPERATURE CONFIGURATION.

SEE SHEET 2 FOR PART NUMBER TABLES

RECOMMENDED HOLE LAYOUT

THIS DRAWING IS A CONTROLLED DOCUMENT.		DWN: S. SHUEY	OSMAR91		Tyco Electronics Corporation
DIMENSIONS: INCHES		CHK: J. GESFORD	OSMAR91		Harrisburg, PA 17105
TOLERANCES UNLESS OTHERWISE SPECIFIED:		APP'D: J. GESFORD	OSMAR91	NAME:	HDR ASSY, RTANG, SINGLE ROW
0 PLC	± -	PRODUCT SPEC		2.54[.100] C/L 0.641[.025] SQ. POST,	
1 PLC	± -	APPLICATION SPEC		WITH PLZLN & HOLD DOWNS, AMPMODU MTE	
2 PLC	± 0.15[.005]	SIZE		A1	
3 PLC	± -	CAGE CODE		108-25034	
4 PLC	± -	DRAWING NO		114-25026	
ANGLES	± -	WEIGHT		-	
FINISH	SEE TABLE	CUSTOMER DRAWING		SCALE 4:1 SHEET 1 OF 2 REV T1	

REMARKS	PLATING	C	B	A	NO. OF POSN	PART NO.	
	△9	△7	64.01 [2.520]	66.04 [2.600]	24	25	7-103673-4
	△9	△7	61.47 [2.420]	63.50 [2.500]	23	24	7-103673-3
	△9	△7	58.93 [2.320]	60.96 [2.400]	22	23	7-103673-2
	△9	△7	56.39 [2.220]	58.42 [2.300]	21	22	7-103673-1
	△9	△7	53.85 [2.120]	55.88 [2.200]	20	21	7-103673-0
	△9	△7	51.31 [2.020]	53.34 [2.100]	19	20	6-103673-9
	△9	△7	48.77 [1.920]	50.80 [2.000]	18	19	6-103673-8
	△9	△7	46.23 [1.820]	48.26 [1.900]	17	18	6-103673-7
	△9	△7	43.69 [1.720]	45.72 [1.800]	16	17	6-103673-6
	△9	△7	41.15 [1.620]	43.18 [1.700]	15	16	6-103673-5
	△9	△7	38.61 [1.520]	40.64 [1.600]	14	15	6-103673-4
	△9	△7	36.07 [1.420]	38.10 [1.500]	13	14	6-103673-3
	△9	△7	33.53 [1.320]	35.56 [1.400]	12	13	6-103673-2
	△9	△7	30.99 [1.220]	33.02 [1.300]	11	12	6-103673-1
	△9	△7	28.45 [1.120]	30.48 [1.200]	10	11	6-103673-0
	△9	△7	25.91 [1.020]	27.94 [1.100]	9	10	5-103673-9
	△9	△7	23.37 [.920]	25.40 [1.000]	8	9	5-103673-8
	△9	△7	20.83 [.820]	22.86 [.900]	7	8	5-103673-7
	△9	△7	18.29 [.720]	20.32 [.800]	6	7	5-103673-6
	△9	△7	15.75 [.620]	17.78 [.700]	5	6	5-103673-5
	△9	△7	13.21 [.520]	15.24 [.600]	4	5	5-103673-4
	△9	△7	10.67 [.420]	12.70 [.500]	3	4	5-103673-3
	△9	△7	8.13 [.320]	10.16 [.400]	2	3	5-103673-2
	△9	△7	5.59 [.220]	7.62 [.300]	1	2	5-103673-1

PLATING	C	B	A	NO. OF POSN	PART NO.	
△8	△7	41.15 [1.620]	43.18 [1.700]	15	16	2-103673-6
△8	△7	18.29 [.720]	20.32 [.800]	6	7	2-103673-5
△1	△7	64.01 [2.520]	66.04 [2.600]	24	25	2-103673-4
△1	△7	61.47 [2.420]	63.50 [2.500]	23	24	2-103673-3
△1	△7	58.93 [2.320]	60.96 [2.400]	22	23	2-103673-2
△1	△7	56.39 [2.220]	58.42 [2.300]	21	22	2-103673-1
△1	△7	53.85 [2.120]	55.88 [2.200]	20	21	2-103673-0
△1	△7	51.31 [2.020]	53.34 [2.100]	19	20	1-103673-9
△1	△7	48.77 [1.920]	50.80 [2.000]	18	19	1-103673-8
△1	△7	46.23 [1.820]	48.26 [1.900]	17	18	1-103673-7
△1	△7	43.69 [1.720]	45.72 [1.800]	16	17	1-103673-6
△1	△7	41.15 [1.620]	43.18 [1.700]	15	16	1-103673-5
△1	△7	38.61 [1.520]	40.64 [1.600]	14	15	1-103673-4
△1	△7	36.07 [1.420]	38.10 [1.500]	13	14	1-103673-3
△1	△7	33.53 [1.320]	35.56 [1.400]	12	13	1-103673-2
△1	△7	30.99 [1.220]	33.02 [1.300]	11	12	1-103673-1
△1	△7	28.45 [1.120]	30.48 [1.200]	10	11	1-103673-0
△1	△7	25.91 [1.020]	27.94 [1.100]	9	10	103673-9
△1	△7	23.37 [.920]	25.40 [1.000]	8	9	103673-8
△1	△7	20.83 [.820]	22.86 [.900]	7	8	103673-7
△1	△7	18.29 [.720]	20.32 [.800]	6	7	103673-6
△1	△7	15.75 [.620]	17.78 [.700]	5	6	103673-5
△1	△7	13.21 [.520]	15.24 [.600]	4	5	103673-4
△1	△7	10.67 [.420]	12.70 [.500]	3	4	103673-3
△1	△7	8.13 [.320]	10.16 [.400]	2	3	103673-2
△1	△7	5.59 [.220]	7.62 [.300]	1	2	103673-1

THIS DRAWING IS A CONTROLLED DOCUMENT.

DIMENSIONS: INCHES	TOLERANCES UNLESS OTHERWISE SPECIFIED: 0 PLC ± - 1 PLC ± - 2 PLC ± 0.13[.005] 3 PLC ± - 4 PLC ± - ANGLES ± -	DWG: S. SHUEY CHK: J. GESFORD APPD: J. GESFORD	OSMAR91 OSMAR91 OSMAR91	tyco Electronics	Tyco Electronics Corporation Harrisburg, PA 17105
MATERIAL: -	FINISH: SEE TABLE	NAME: HDR ASSY, RTANG, SINGLE ROW 2.54[.100] C/L 0.64[.025] SQ. POST, WITH PLZN & HOLD DOWNS, AMPMODU MTE	PRODUCT SPEC: 108-25034 APPLICATION SPEC: 114-25026	SIZE: A1 CAGE CODE: 00779 DRAWING NO: 103673	RESTRICTED TO: -
CUSTOMER DRAWING		SCALE: 4:1		SHEET 2 OF 2 REV T1	