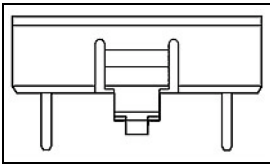


103680-7 Product Details

[Share](#) [Print](#) [Email](#)



103680-7

TE Internal Number: 103680-7
✔ Active

[View 3D PDF](#)

.100 AMPMODU Headers, Housings & Contacts

✔ Always EU RoHS/ELV Compliant (Statement of Compliance)

Product Highlights:

- Accessory
- Accessory Type = Shroud
- 2.54 mm Centerline
- Row-to-Row Spacing = 2.54 mm
- 10 Positions

[View all Features](#)

Quick Links

- ▶ [Pricing & Availability](#)
- ▶ [Search for Tooling](#)
- ▶ [Product Feature Selector](#)
- ▶ [Contact Us About This Product](#)

[Add to My Part List](#) [Request Sample](#) [Find Similar Products](#) [Buy Product](#)

Documentation & Additional Information

Product Drawings:

- [SHROUD, COUPLING, SINGLE ROW, AMPMODU MTE](#) (PDF, English)

Catalog Pages/Data Sheets:

- [AMP MODU MTE Section of Catalog 1307819](#) (PDF, English)
- [AMPMODU_INTERCONNECTION_SYSTEM_SECTION5_CONT](#) (PDF, English)
- [AMPMODU_MTE_INTERCONNECT_SYSTEM_QRG_4-1773458-0](#) (PDF, English)

Product Specifications:

- None Available

Application Specifications:

- [AMPMODU MTE Interconnection System](#) (PDF, English)

Instruction Sheets:

- [AMP* AMPMODU* MTE CONNECTORS](#) (PDF, English)

CAD Files: (CAD Format & Compression Information)

- [2D Drawing](#) (DXF, Version L)
- [3D Model](#) (IGES, Version L)
- [3D Model](#) (STEP, Version L)

[List all Documents](#)

Additional Information:

- [Product Line Information](#)

Related Products:

- [Tooling](#)

Product Features (Please use the Product Drawing for all design activity)

Product Type Features:

- Product Type = Accessory
- Accessory Type = Shroud
- Connector Series = MTE

Mechanical Attachment:

- Shroud Type = Coupling

Electrical Characteristics:

- Contact - Rated Current (A) = 3
- Termination Resistance (mΩ) = 15
- Insulation Resistance (MΩ) = 5,000
- Dielectric Withstanding Voltage (V) = 600

Termination Features:

- [Termination Method to Wire/Cable](#) = Crimp, Insulation Displacement Crimp (IDC)

Body Features:

- Row-to-Row Spacing (mm [in]) = 2.54 [0.100]

Housing Features:

- Centerline (mm [in]) = 2.54 [0.100]
- [Mating Alignment](#) = With
- [Mating Alignment Type](#) = Latched
- UL Flammability Rating = UL 94V-0
- Housing Material = Thermoplastic - GF

Configuration Features:

- [Number of Positions](#) = 10
- [Number of Rows](#) = 1

Industry Standards:

- [RoHS/ELV Compliance](#) = RoHS compliant, ELV compliant
- [Lead Free Solder Processes](#) = Not relevant for lead free process
- [RoHS/ELV Compliance History](#) = Always was RoHS compliant
- [Approved Standards](#) = UL E28476, CSA LR7189

Environmental:

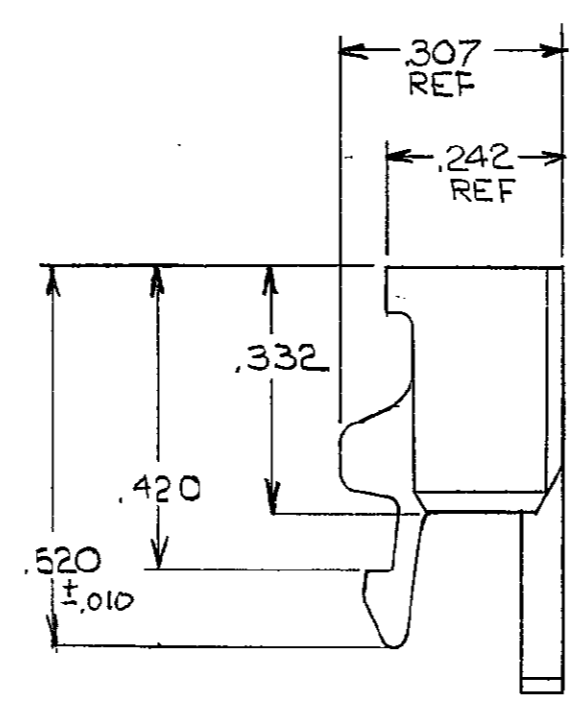
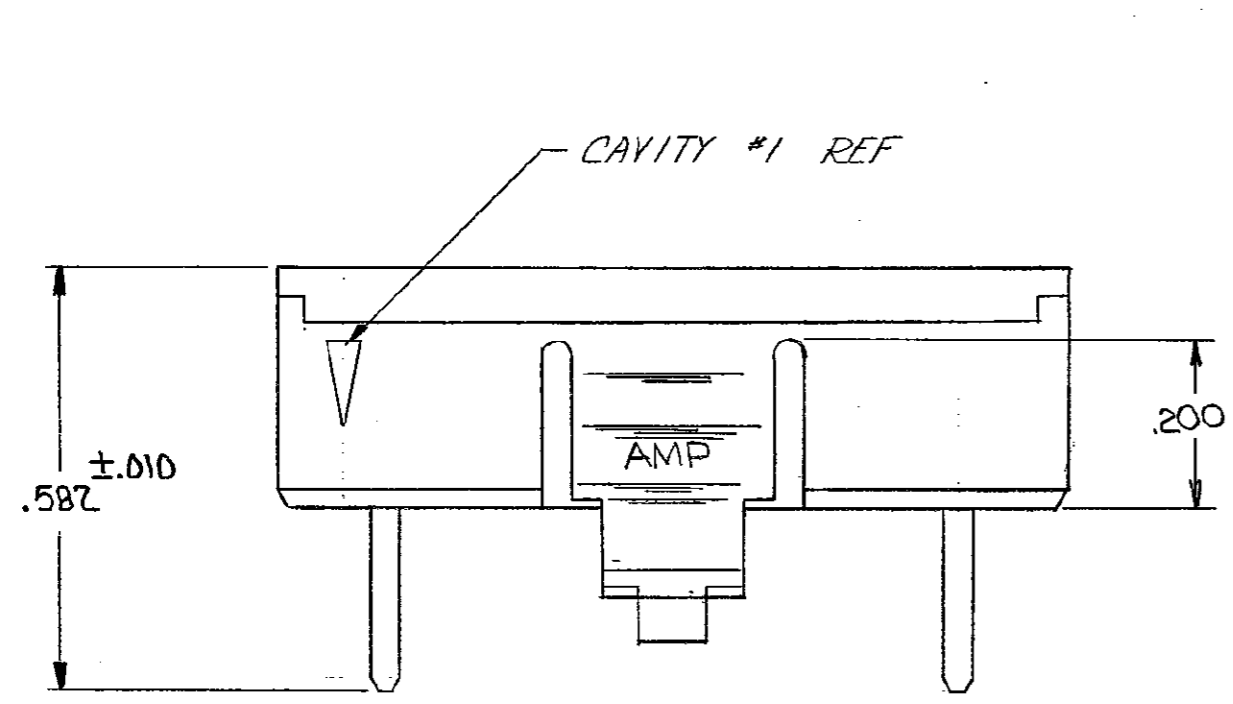
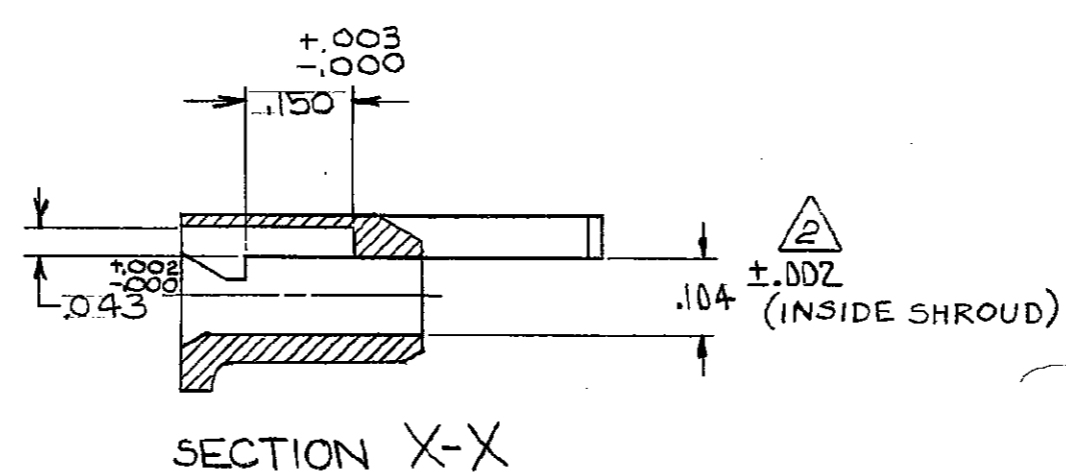
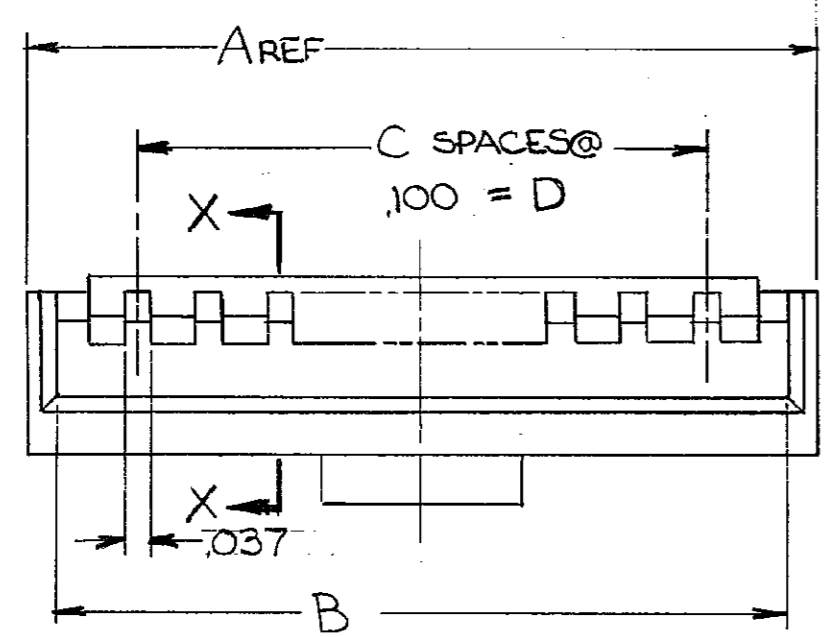
- [Operating Temperature \(°C\)](#) = -65 - +105

Other:

- Brand = AMP
- Comment = Insert Receptacle Assembly w/Guide Ribs (only) into shroud.

THIS DRAWING IS UNPUBLISHED. RELEASED FOR PUBLICATION
 (C) COPYRIGHT ALL RIGHTS RESERVED.

REVISIONS						
P	F	ZONE	LTR	DESCRIPTION	DATE	APPROVED
			H2	REVISED PER ECO-11-005140	31MAR11	HMR



	2.300	23	2.505	2.585	25	Z-103680-2	
	2.200	22	2.405	2.485	24	Z-	-1
OBSOLETE	2.100	21	2.305	2.385	23	Z-	-0
	2.000	20	2.205	2.285	22	1-	-9
	1.900	19	2.105	2.185	21	1-	-8
	1.800	18	2.005	2.085	20	1-	-7
	1.700	17	1.905	1.985	19	1-	-6
OBSOLETE	1.600	16	1.805	1.885	18	1-	-5
	1.500	15	1.705	1.785	17	1-	-4
	1.400	14	1.605	1.685	16	1-	-3
	1.300	13	1.505	1.585	15	1-	-2
OBSOLETE	1.200	12	1.405	1.485	14	1-	-1
	1.100	11	1.305	1.385	13	1-	-0
	1.000	10	1.205	1.285	12		-9
OBSOLETE	.900	9	1.105	1.185	11		-8
	.800	8	1.005	1.085	10		-7
OBSOLETE	.700	7	.905	.985	9		-6
	.600	6	.805	.885	8		-5
OBSOLETE	.500	5	.705	.785	7		-4
	.400	4	.605	.685	6		-3
	.300	3	.505	.585	5		-2
	.200	2	.405	.485	4	103680-1	

- 1. SHROUD ACCEPTS HOUSINGS WITH GUIDE RIBS.
- 2. DIMENSION APPLIES WITH ANY BOW OR WARPAGE IN SHROUD WALLS REMOVED.
- 3. OBSOLETE PARTS: OBSOLETE CIS STREAMLINING PER D.RENAUD/D.SINISI

UNLESS OTHERWISE SPECIFIED DIMENSIONS ARE IN INCHES. TOLERANCES ON: DECIMALS ±.005 ANGLES ±	CONTRACT NO	TE Connectivity NAME: SHROUD, COUPLING, SINGLE ROW, AMPMODU MTE		
	MATERIAL: THERMOPLASTIC COLOR: BLACK			DR: <i>W. P. L...</i>
FINISH	CHK: <i>Ronald P. Locant</i> 4-22-85	SIZE: C	FSCM NO: 00779	DRAWING NO: 103680
	APPD: <i>Ronald P. Locant</i> 4-22-85	SCALE		SHEET 1 OF 1
	APPD: <i>Ronald P. Locant</i> 4-22-85			
	DSGN APPD			
	OTHER APPD			