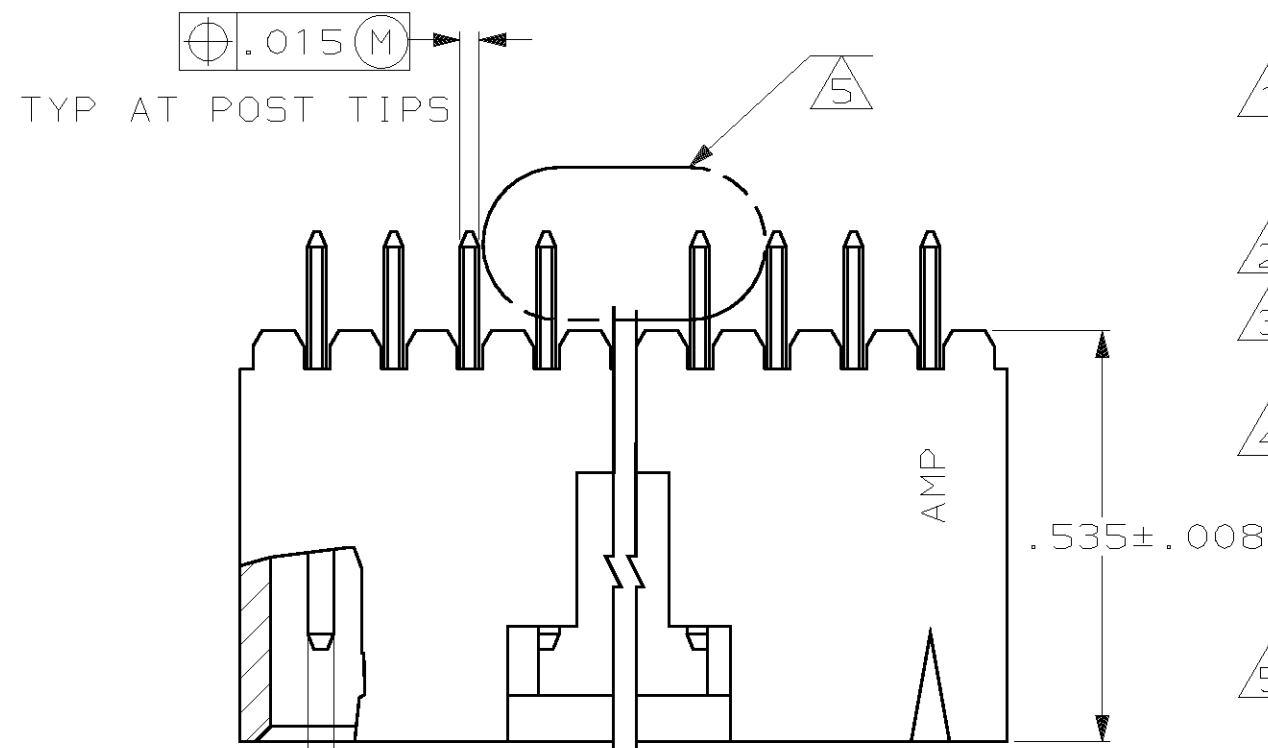


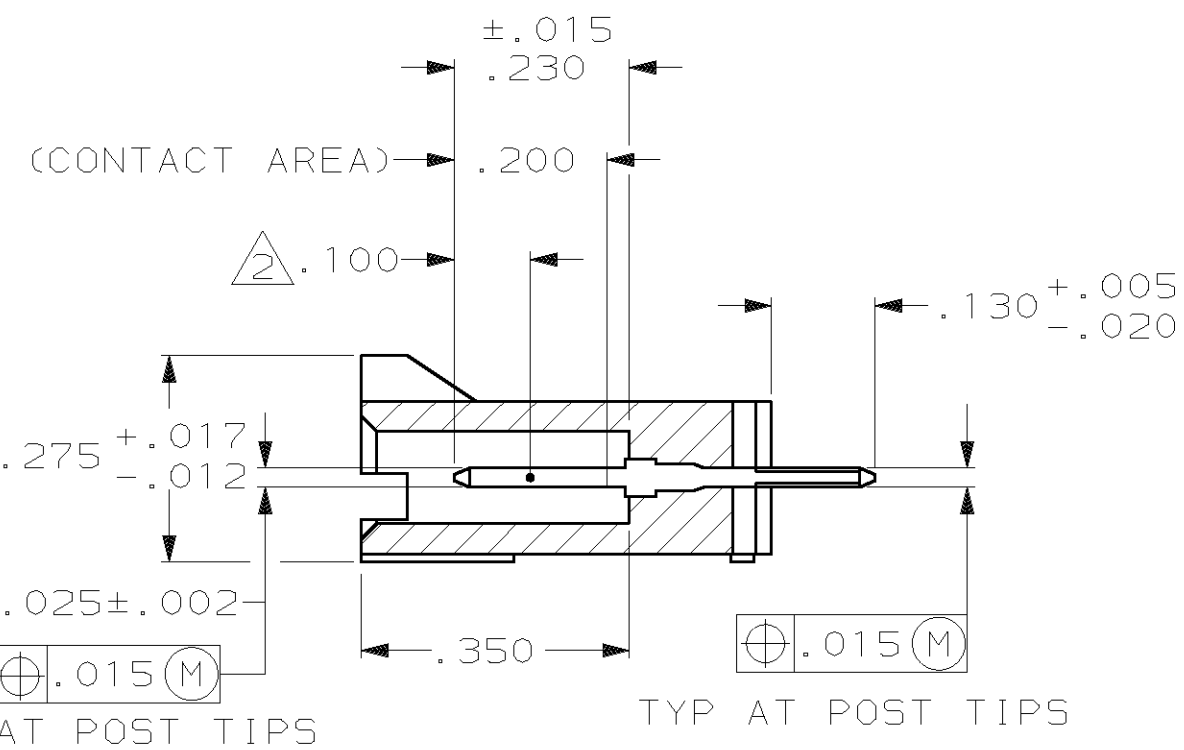
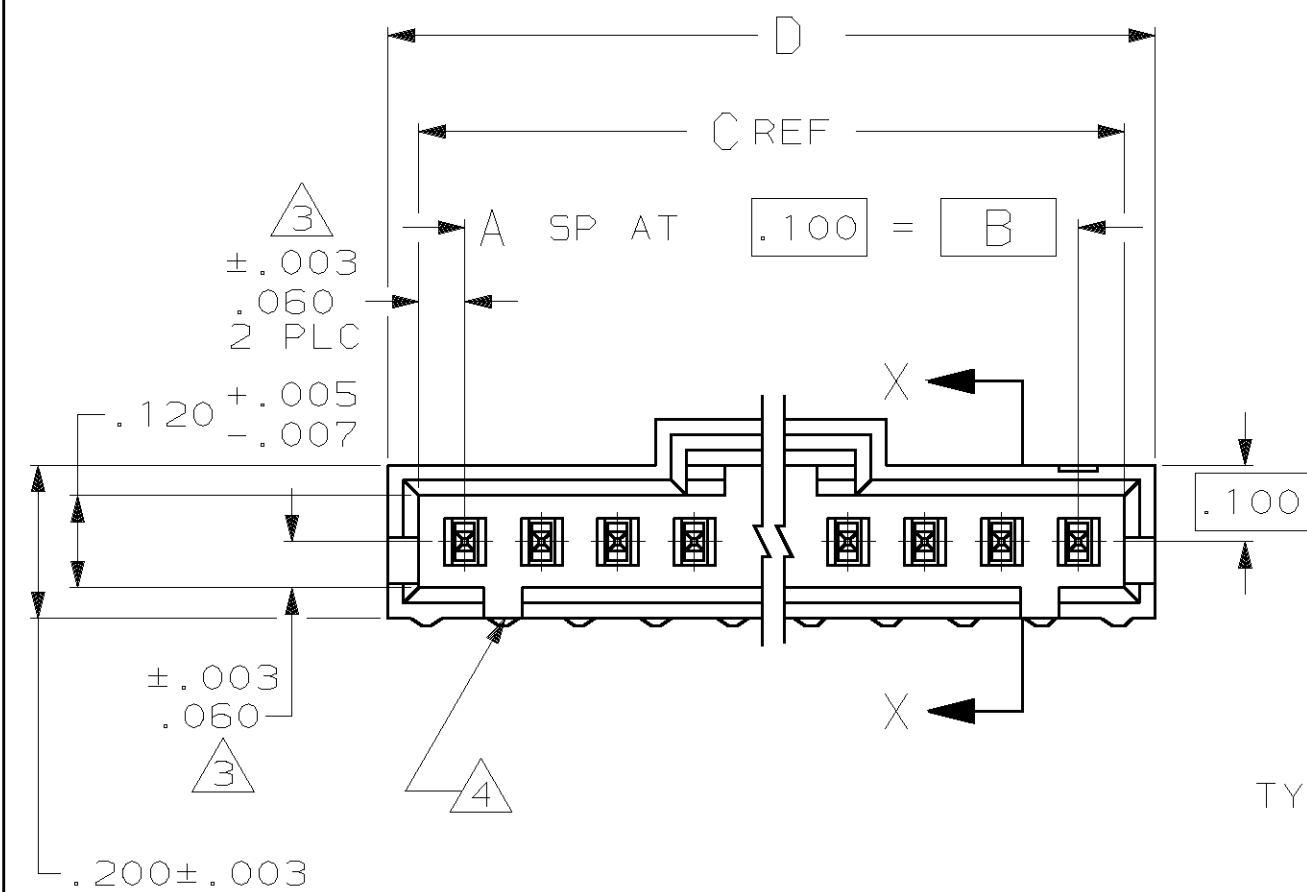
THIS DRAWING IS UNPUBLISHED. RELEASED FOR PUBLICATION, 19 .  
 © COPYRIGHT 19 BY AMP INCORPORATED, HARRISBURG, PA. ALL INTERNATIONAL RIGHTS RESERVED. AMP PRODUCTS MAY BE COVERED BY U.S. AND FOREIGN PATENTS AND/OR PATENTS PENDING.

LOC	DIST	P	F	ZONE	LTR	REVISIONS			
						DESCRIPTION	DATE	APPROVED	
						o	RELEASED	-	-
						A	REV PER ECN AR2325	JPG 4-10-89	-
						B	REV LOC & DIST AD-4171		3-90 BF
						C	REV PER AD-5705		2-10-92 MR
						D	0B5 PER 0010-0831-93		9-15-93 JG
						E	REV PER 0010-0782-93		3-9-94 JG
						F	REV PER 0010-1071-93		3-9-94 JG
						G	REV PER 0010-0672-94		5-2-94 JG
						H	REV PER 0010-0104-95		3-3-95 JG
						J	REV PER 0010-0012-96		1-3-96 JG
						K	REV PER 0010-1114-95		1-25-96 JG
						L	REV PER 0310-0040-97		1-28-97 JG
						M	REV PER 0310-0355-97		02-FEB-98 JG
						N	REV PER EC 0G3C-0441-00		05FEB01 KW



- ① .000030 GOLD IN THE CONTACT AREA, .000100-.000200 MATTE TIN-LEAD ON THE SOLDER TAIL, ALL OVER .000050 NICKEL
- ② POINT OF MEASUREMENT FOR PLATING THICKNESS
- ③ THESE DIMENSIONS APPLY WHERE THE POST INTERSECTS THE HOUSING
- ④ ON ASSEMBLIES WITH FOUR OR MORE POSITIONS, TWO POLARIZATION SLOTS. ON ASSEMBLIES WITH TWO OR THREE POSITIONS, ONE POLARIZATION SLOT.
- ⑤ SELECT POST TAILS FORMED TO PROVIDE CONNECTOR HOLD DOWN UNTIL SOLDERED. CONFIGURATION ACCEPTS .027-.080 THICK PRINTED CIRCUIT BOARD. (SEE DETAIL Z)

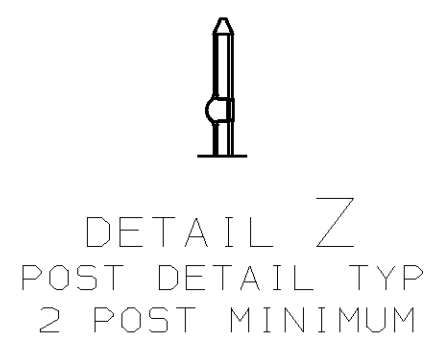
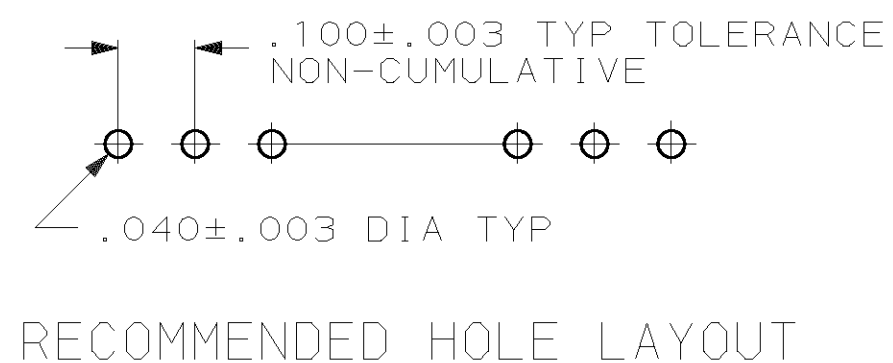
.025 ± .001 TYP  
 .015 M TYP AT POST TIPS



SECTION X-X

2.600	2.520	2.400	24	25	2-103908-4
2.500	2.420	2.300	23	24	2-103908-3
2.400	2.320	2.200	22	23	2-103908-2
2.300	2.220	2.100	21	22	2-103908-1
2.200	2.120	2.000	20	21	2-103908-0
2.100	2.020	1.900	19	20	1-103908-9
2.000	1.920	1.800	18	19	1-103908-8
1.900	1.820	1.700	17	18	1-103908-7
1.800	1.720	1.600	16	17	1-103908-6
1.700	1.620	1.500	15	16	1-103908-5
1.600	1.520	1.400	14	15	1-103908-4
1.500	1.420	1.300	13	14	1-103908-3
1.400	1.320	1.200	12	13	1-103908-2
1.300	1.220	1.100	11	12	1-103908-1
1.200	1.120	1.000	10	11	1-103908-0
1.100	1.020	.900	9	10	103908-9
1.000	.920	.800	8	9	103908-8
.900	.820	.700	7	8	103908-7
.800	.720	.600	6	7	103908-6
.700	.620	.500	5	6	103908-5
.600	.520	.400	4	5	103908-4
.500	.420	.300	3	4	103908-3
.400	.320	.200	2	3	103908-2
.300	.220	.100	1	2	103908-1

D	C	B	A	NO OF POSN	ASSEMBLY PART NUMBER
---	---	---	---	------------	----------------------



UNLESS OTHERWISE SPECIFIED DIMENSIONS ARE IN INCHES TOLERANCES ON :	DR 7-28-86 H MOLL
2 PL DEC ± -	CHK 7-28-86 PC deJONG
3 PL DEC ± .005	APPD 7-28-86 PC deJONG
ANGLES ± -	APPD 7-28-86 C LINDGREN
MATERIAL: HOUSING: FLAME RETARDANT THERMOPLASTIC COLOR - BLACK	PRODUCT SPEC 108-25034
CONTACTS: BRASS	APPLICATION SPEC -
FINISH: POST: ①	WEIGHT -

<b>AMP</b> AMP INCORPORATED Harrisburg, Pa. 17105	
NAME HEADER ASSY, AMPMODU MTE, VERTICAL, SINGLE ROW, .100¢, .025 50 POSTS WITH LATCH & RETENTIVE POSTS	
SIZE C 00779	DRAWING NO 103908
SCALE 4:1	SHEET 1 OF 1