

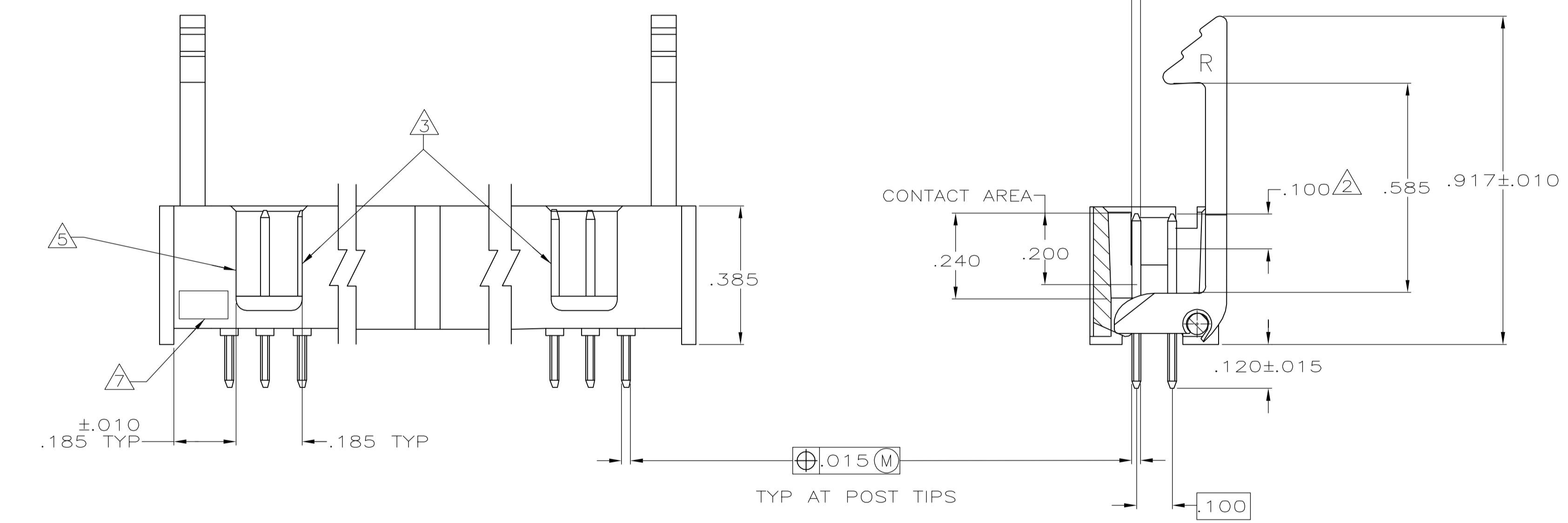
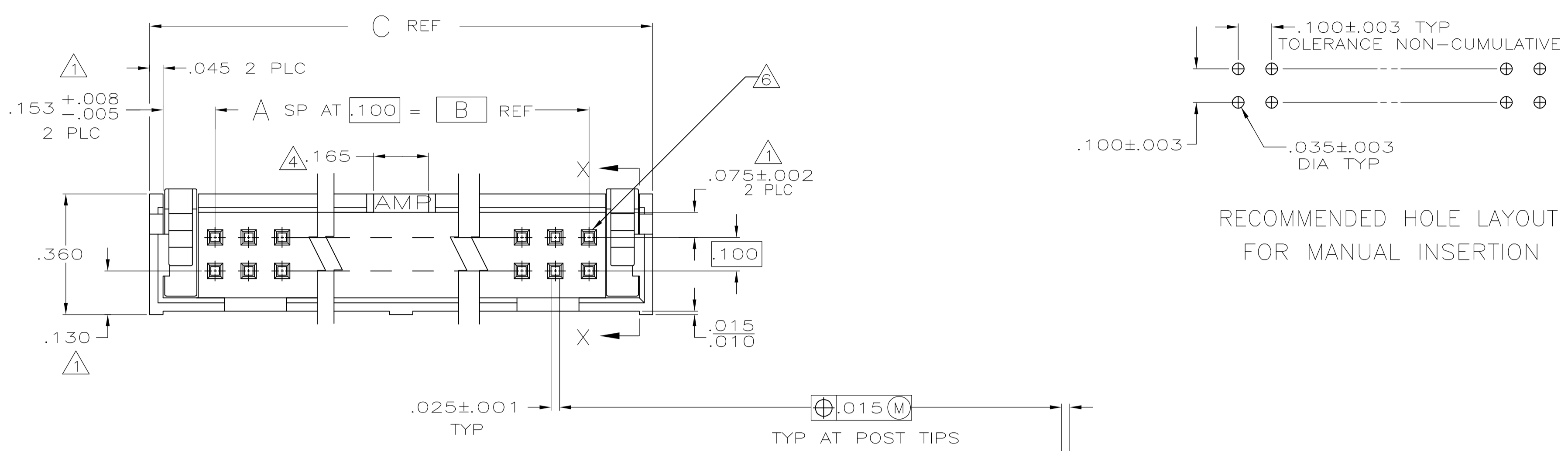
Distributed by:

JAMECO[®]
ELECTRONICS

www.Jameco.com ♦ 1-800-831-4242

The content and copyrights of the attached
material are the property of its owner.

Jameco Part Number 738831



- ① THE NOTED DIMENSIONS APPLY AT THE INTERSECTION OF THE POST AND HOUSING
- ② POINT OF MEASUREMENT FOR PLATING THICKNESS
- ③ DOUBLE BAR POLARIZATION
- ④ CENTER POLARIZATION SLOT
- ⑤ FOR 10 POSN ASSEMBLY, SLOT OMITTED WHERE INDICATED
- ⑥ NUMBER 1 POSITION.
- ⑦ OPTIONAL AMP IDENTIFICATION NUMBER (DATE CODE). LOCATION APPROXIMATELY WHERE SHOWN.
- ⑧ MATERIAL: HOUSING: GLASS FILLED NYLON, FLAME RETARDANT, BLACK. POSTS: PHOS. BRONZE.
- ⑨ FINISH: POSTS: .000030 GOLD IN CONTACT AREA. .000100-.000200 TIN-LEAD ON SOLDER TAIL, ALL OVER .000050 NICKEL.

	1.800	1.400	14	30	1-104128-2
OBSOLETE	1.500	1.100	11	24	1-104128-1
OBSOLETE	3.300	2.900	29	60	1-104128-0
	2.800	2.400	24	50	104128-9
OBSOLETE	2.500	2.100	21	44	104128-8
	2.300	1.900	19	40	104128-7
	2.000	1.600	16	34	104128-6
	1.600	1.200	12	26	104128-5
	1.300	.900	9	20	104128-4
	1.100	.700	7	16	104128-3
	1.000	.600	6	14	104128-2
	.800	.400	4	10	104128-1
	C	B	A	NO OF POSN	ASSEMBLY PART NUMBER

THIS DRAWING IS A CONTROLLED DOCUMENT.

DIMENSIONS: INCHES	TOLERANCES UNLESS OTHERWISE SPECIFIED:	DIN H. MOLL	03-10-87	tyco Electronics	Tyco Electronics Corporation Harrisburg, PA 17105-3608
0 PLC ± -	1 PLC ± -	CHK T. CLARK		NAME	
2 PLC ± -	3 PLC ± .005	APVD		PRODUCT SPEC	HEADER ASSY, LOW PROFILE, AMP-LATCH
4 PLC ± -	ANGLES ± -	SIZE	CAGE CODE	DRAWING NO	RESTRICTED TO
MATERIAL	FINISH	WEIGHT	A1	00779	104128
		CUSTOMER DRAWING	SCALE	4:1	SHEET 1 OF 1 REV G