

Distributed by:

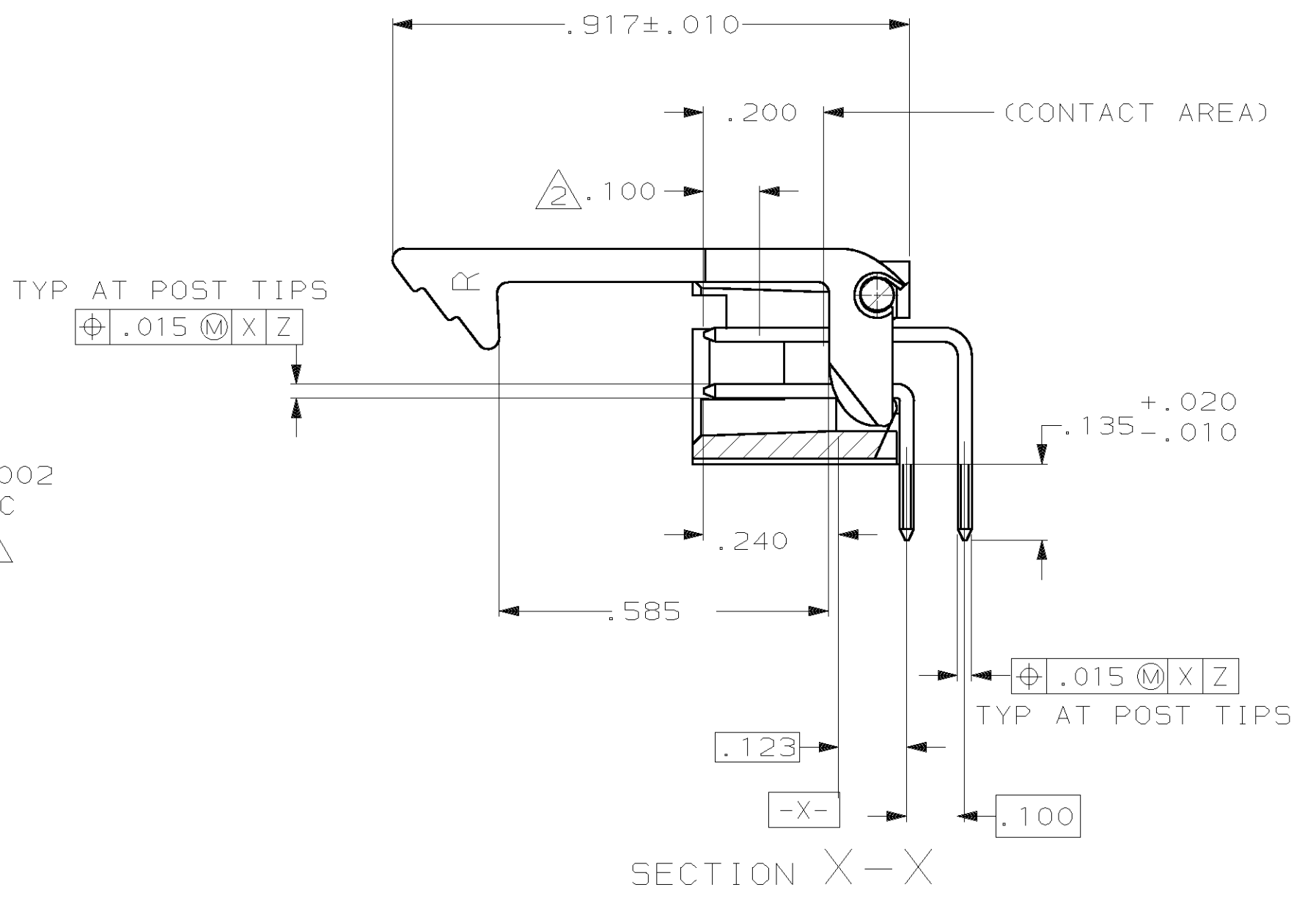
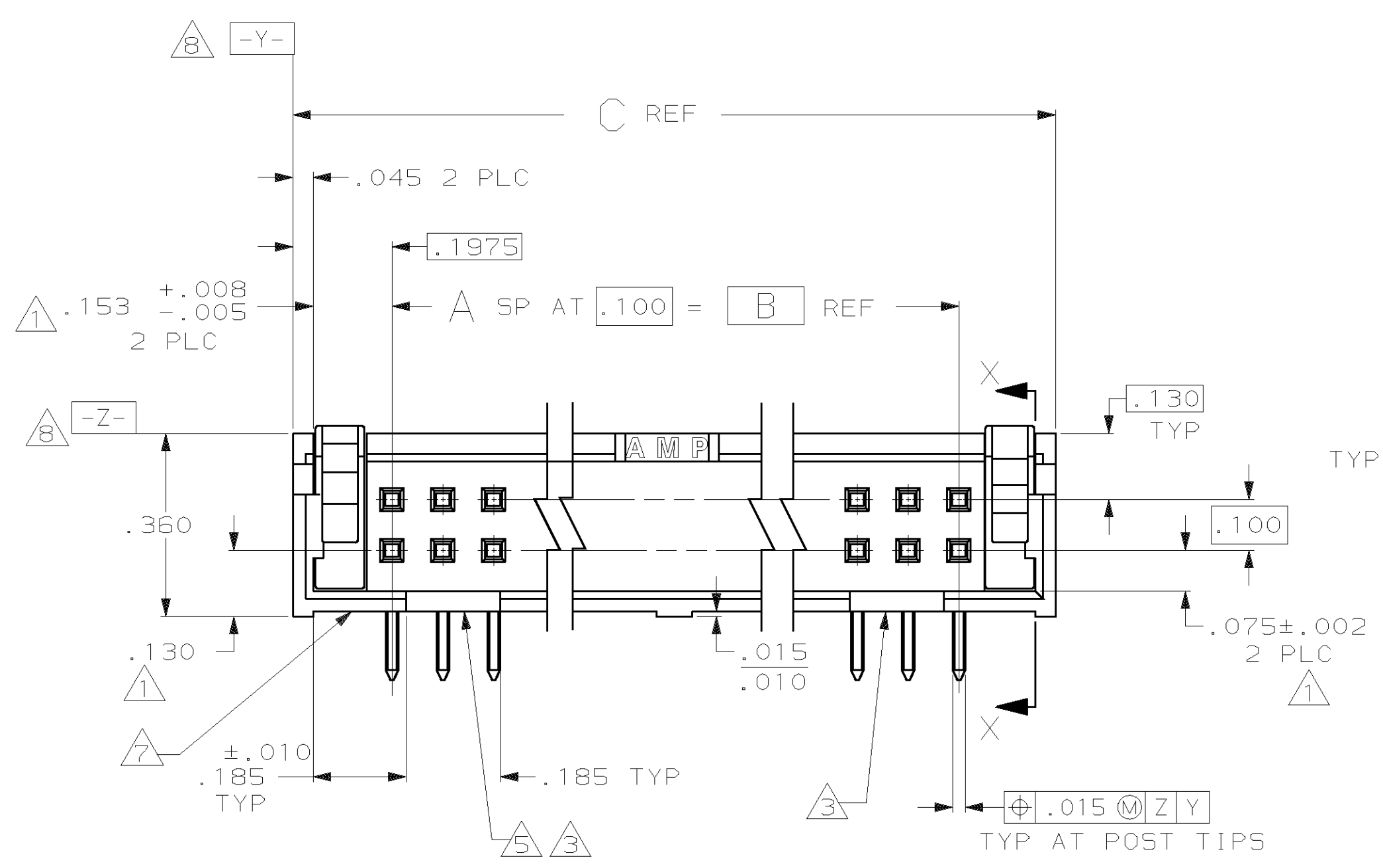
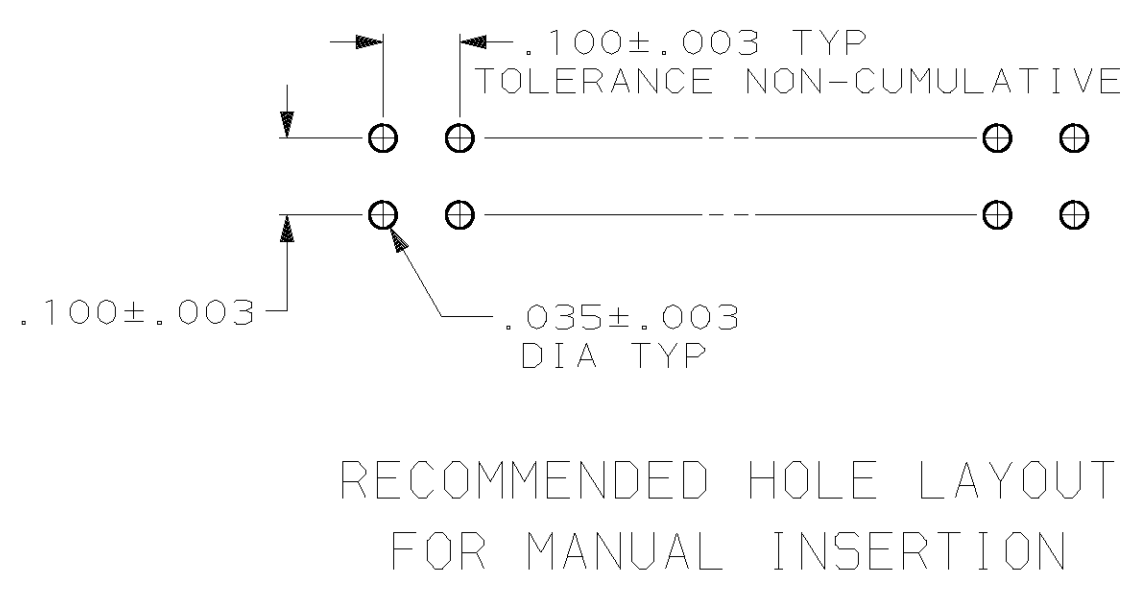
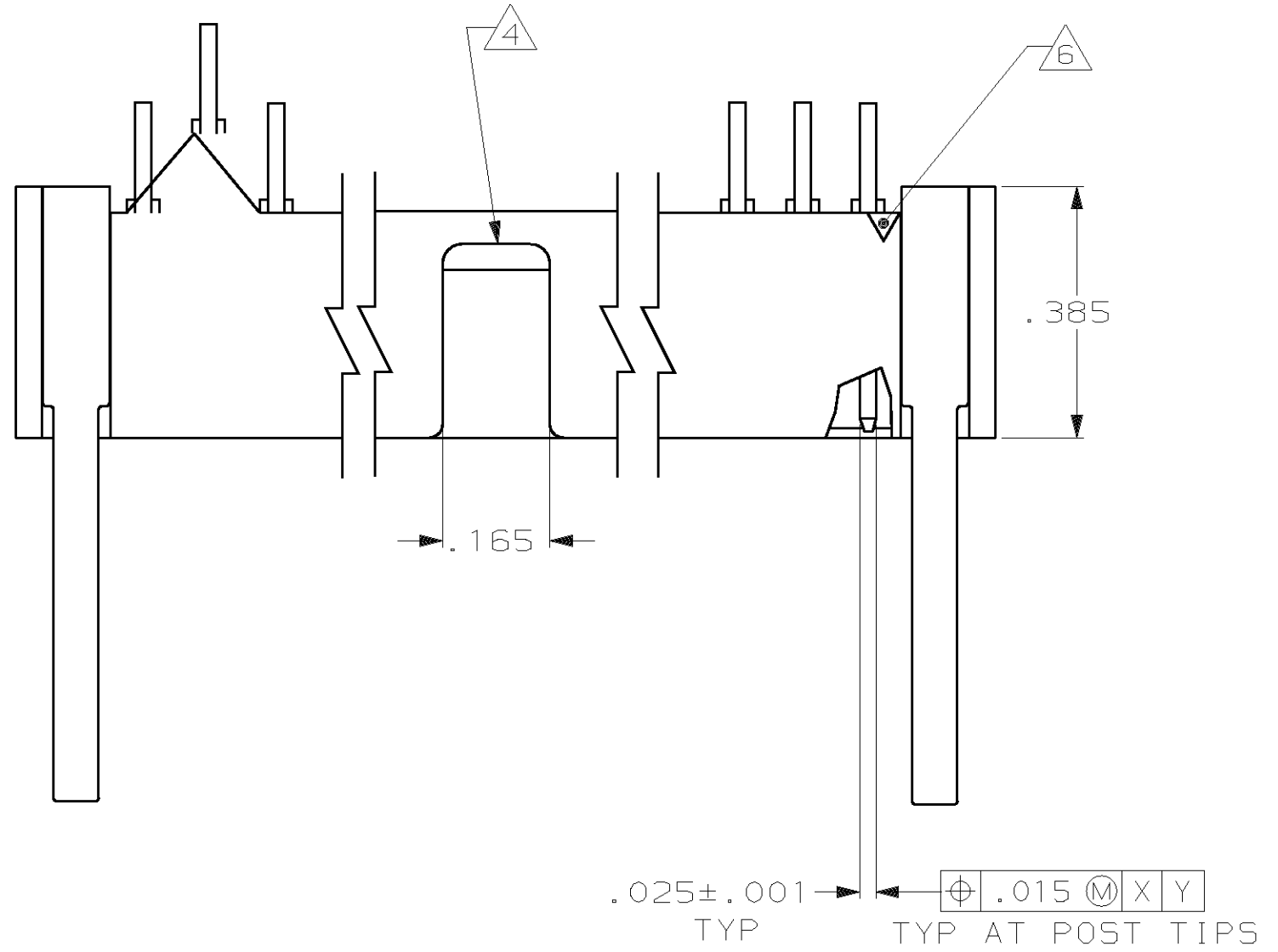
**JAMECO**<sup>®</sup>  
ELECTRONICS

**www.Jameco.com ♦ 1-800-831-4242**

The content and copyrights of the attached  
material are the property of its owner.

Jameco Part Number 738865

LOC		DIST		P		F		ZONE		LTR		REVISIONS		DATE		APPD	
GP	00																
													REVISED PER EC 0513-0144-01	13MAR02		JG	



SIZE	C	B	A	NO OF POSN	ASSEMBLY PART NUMBER
3.300	2.900	29	60		1-104130-0
2.800	2.400	24	50		104130-9
2.500	2.100	21	44		104130-8
2.300	1.900	19	40		104130-7
2.000	1.600	16	34		104130-6
1.600	1.200	12	26		104130-5
1.300	.900	9	20		104130-4
1.100	.700	7	16		104130-3
1.000	.600	6	14		104130-2
.800	.400	4	10		104130-1

- ① THE NOTED DIMENSIONS APPLY AT THE INTERSECTION OF THE POST AND HOUSING
- ② POINT OF MEASUREMENT FOR PLATING THICKNESS
- ③ DOUBLE BAR POLARIZATION
- ④ CENTER POLARIZATION SLOT
- ⑤ FOR 10 POSN ASSEMBLY, SLOT OMITTED WHERE INDICATED
- ⑥ NUMBER 1 POSITION INDICATOR.
- ⑦ OPTIONAL AMP IDENTIFICATION NUMBER (DATE CODE). LOCATION APPROXIMATELY WHERE SHOWN.

UNLESS OTHERWISE SPECIFIED DIMENSIONS ARE IN INCHES TOLERANCES ON:		DR 2-26-87 H MOLL		AMP INCORPORATED Harrisburg, Pa. 17105	
2 PL DEC ±-.005 3 PL DEC ±-.005 ANGLES ±-		CHK 3-10-87 T CLARK			
MATERIAL: HOUSING: GLASS FILLED NYLON, FLAME RETARDANT, BLACK POSTS: PHOS BRONZE		APPD3-10-87 T CLARK		NAME HEADER ASSY, LOW PROFILE, AMP-LATCH™	
FINISH: POSTS: .000030 GOLD IN CONTACT AREA, .000100-.000200 TIN-LEAD ON SOLDER TAIL, ALL OVER .000050 NICKEL		APPLICATION SPEC		SIZE <b>D</b> 00779	
WEIGHT		-		DRAWING NO 104130	
SCALE		4:1		SHEET 1 OF 1	