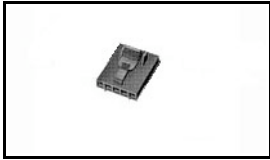


104257-5 Product Details

[Share](#) [Print](#) [Email](#)




104257-5

TE Internal Number: 104257-5

 Active

[View 3D PDF](#)

.100 AMPMODU Headers, Housings & Contacts

 Always EU RoHS/ELV Compliant
(Statement of Compliance)

Product Highlights:

- Connector
- Housing
- Connector Style = Receptacle
- Contact Type = Socket
- 2.54 mm Centerline

[View all Features](#)

Quick Links

- ▶ [Pricing & Availability](#)
- ▶ [Search for Tooling](#)
- ▶ [Product Feature Selector](#)
- ▶ [Contact Us About This Product](#)

[Add to My Part List](#)

[Request Sample](#)

[Find Similar Products](#)

[Buy Product](#)

Documentation & Additional Information

Product Drawings:

- [RECEPTACLE HOUSING, AMPMODU MTE, SINGLE ROW, .100CL ...](#) (PDF, English)

Catalog Pages/Data Sheets:

- [AMP MODU MTE Section of Catalog 1307819](#) (PDF, English)
- [AMPMODU_INTERCONNECTION_SYSTEM_SECTION5_CONT](#) (PDF, English)
- [AMPMODU_MTE_INTERCONNECT_SYSTEM_QRG_4-1773458-0](#) (PDF, English)

Product Specifications:

- [Connector, AMPMODU, MTE](#) (PDF, English)

Application Specifications:

- [AMPMODU MTE Interconnection System](#) (PDF, English)

Instruction Sheets:

- None Available

CAD Files: (CAD Format & Compression Information)

- [2D Drawing](#) (DXF, Version F1)
- [3D Model](#) (IGES, Version F1)
- [3D Model](#) (STEP, Version F1)

[List all Documents](#)

Additional Information:

- [Product Line Information](#)

Related Products:

- [Tooling](#)

Product Features (Please use the Product Drawing for all design activity)

Product Type Features:

- Product Type = Connector
- Connector Type = Housing
- [Termination Method to Wire/Cable](#) = Crimp, Insulation Displacement Crimp (IDC)
- [Mating Connector Lock](#) = With
- [Connector Series](#) = MTE
- [Keyed](#) = No

Body Features:

- Row-to-Row Spacing (mm [in]) = 2.54 [0.100]

Contact Features:

Configuration Features:

- [Number of Positions](#) = 6
- [Number of Rows](#) = 1

Industry Standards:

- [RoHS/ELV Compliance](#) = RoHS compliant, ELV compliant
- [Lead Free Solder Processes](#) = Not relevant for lead free process
- [RoHS/ELV Compliance History](#) = Always was RoHS compliant

Other:

- Contact Type = Socket

Housing Features:

- Connector Style = Receptacle
- Centerline (mm [in]) = 2.54 [0.100]
- Mating Alignment = With
- Mating Alignment Type = Latched
- Housing Color = Black
- UL Flammability Rating = UL 94V-0
- Housing Material = Thermoplastic - GF

- Brand = AMP
- Comment = Refer to AMPMODU contacts for crimp snap-in replacement receptacle or pin contacts.

Corporate Information

[About TE](#)
[Investors](#)
[News Room](#)
[Supplier Portal](#)
[Careers](#)
[Terms & Conditions](#)
[Privacy Policy](#)

Quick Links

[Distributor Inventory](#)
[Product Cross Reference](#)
[Documents & Drawings](#)
[Product Compliance Support Center](#)
[Site Map](#)

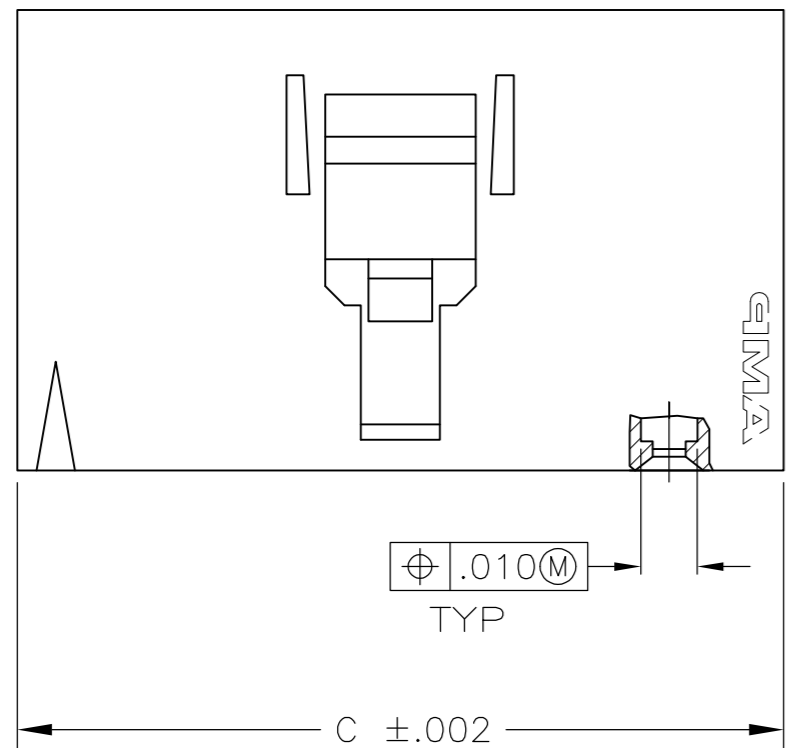
Customer Support

[Email or Chat With Us](#)
[Find a Phone Number](#)
[Knowledge Base](#)
[Manage Your Account](#)

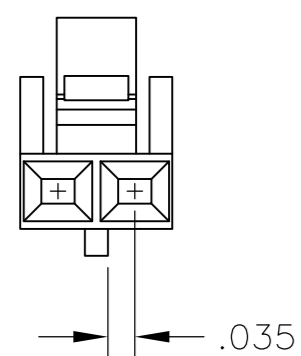
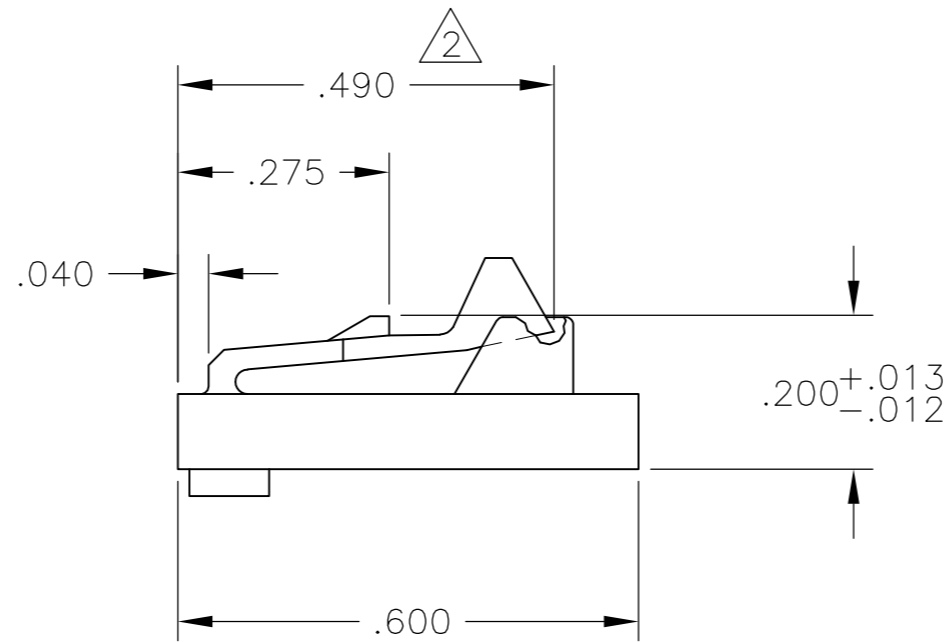
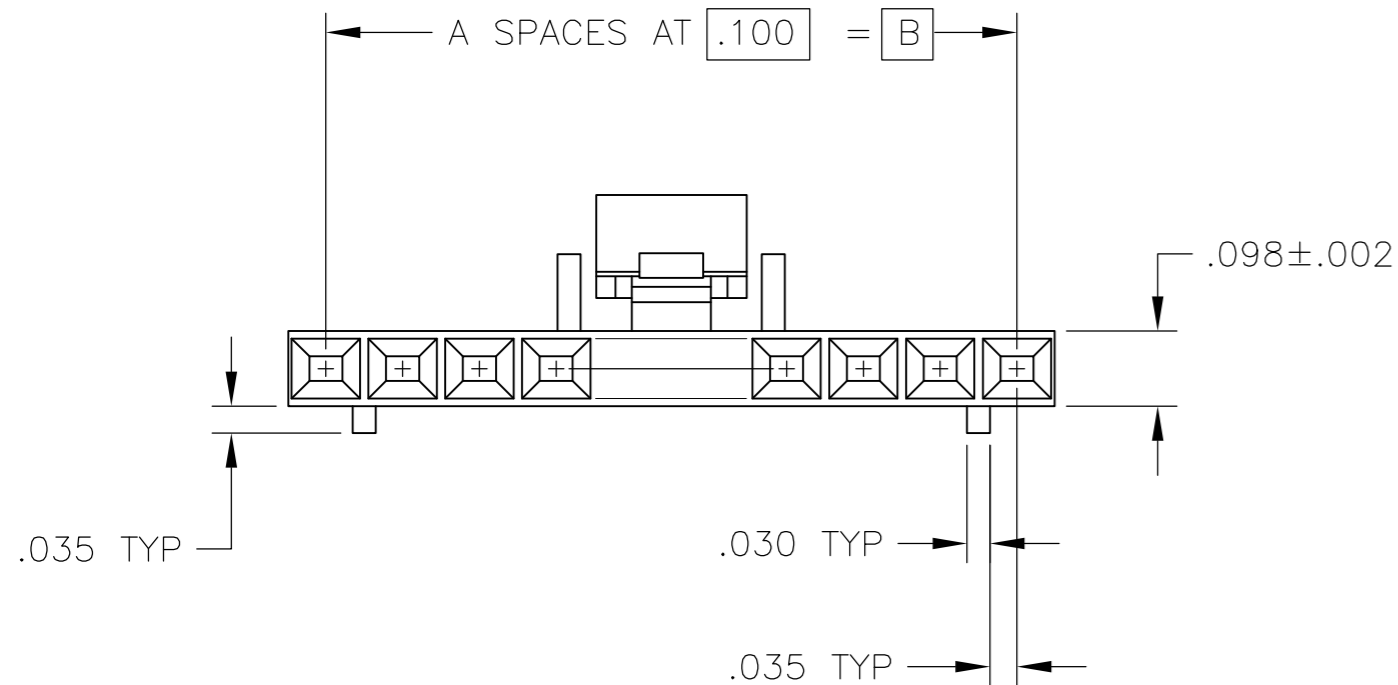
Keep Me Informed

THIS DRAWING IS UNPUBLISHED. RELEASED FOR PUBLICATION
 © COPYRIGHT - By - ALL RIGHTS RESERVED.

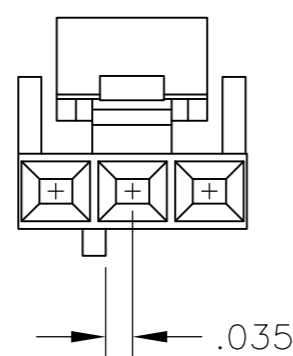
LOC	DIST	REVISIONS			
P	LTR	DESCRIPTION	DATE	DWN	APVD
AD	00	F3	REVISED PER ECO-11-010839	25MAY11	RK HMR



1 MATERIAL: FLAME RETARDANT THERMOPLASTIC, COLOR- BLACK.
 2 THIS DIMENSION .480 FOR 2 POSN ONLY



DETAIL FOR -1 ONLY
(2 POSITION)



DETAIL FOR -2 ONLY
(3 POSITION)

2.498	2.400	24	25	2-104257-4
2.398	2.300	23	24	2-104257-3
2.298	2.200	22	23	2-104257-2
2.198	2.100	21	22	2-104257-1
2.098	2.000	20	21	2-104257-0
1.998	1.900	19	20	1-104257-9
1.898	1.800	18	19	1-104257-8
1.798	1.700	17	18	1-104257-7
1.698	1.600	16	17	1-104257-6
1.598	1.500	15	16	1-104257-5
1.498	1.400	14	15	1-104257-4
1.398	1.300	13	14	1-104257-3
1.298	1.200	12	13	1-104257-2
1.198	1.100	11	12	1-104257-1
1.098	1.000	10	11	1-104257-0
.998	.900	9	10	104257-9
.898	.800	8	9	104257-8
.798	.700	7	8	104257-7
.698	.600	6	7	104257-6
.598	.500	5	6	104257-5
.498	.400	4	5	104257-4
.398	.300	3	4	104257-3
.298	.200	2	3	104257-2
.198	.100	1	2	104257-1
C	B	A	NO OF POSN	PART NUMBER

THIS DRAWING IS A CONTROLLED DOCUMENT.		DWN	R BROWN	02FEB2006
DIMENSIONS: INCHES		CHK	J GESFORD	02FEB2006
TOLERANCES UNLESS OTHERWISE SPECIFIED:		APVD	J GESFORD	02FEB2006
0 PLC	± -	NAME		
1 PLC	± -	RECEPTACLE HOUSING, AMPMODU		
2 PLC	± -	MTE, SINGLE ROW, .100CL		
3 PLC	± .005	POLARIZED WITH LATCH		
4 PLC	± -	PRODUCT SPEC	108-25034	
ANGLES	± -	APPLICATION SPEC	114-25026	
FINISH	-	WEIGHT	-	
MATERIAL		SIZE		
1		A2		
		CAGE CODE	00779	
		DRAWING NO	C=104257	
		RESTRICTED TO	-	
		SCALE	4:1	
		SHEET	1 of 1	
		REV	F3	
CUSTOMER DRAWING				