

Distributed by:

JAMECO[®]
ELECTRONICS

www.Jameco.com ♦ 1-800-831-4242

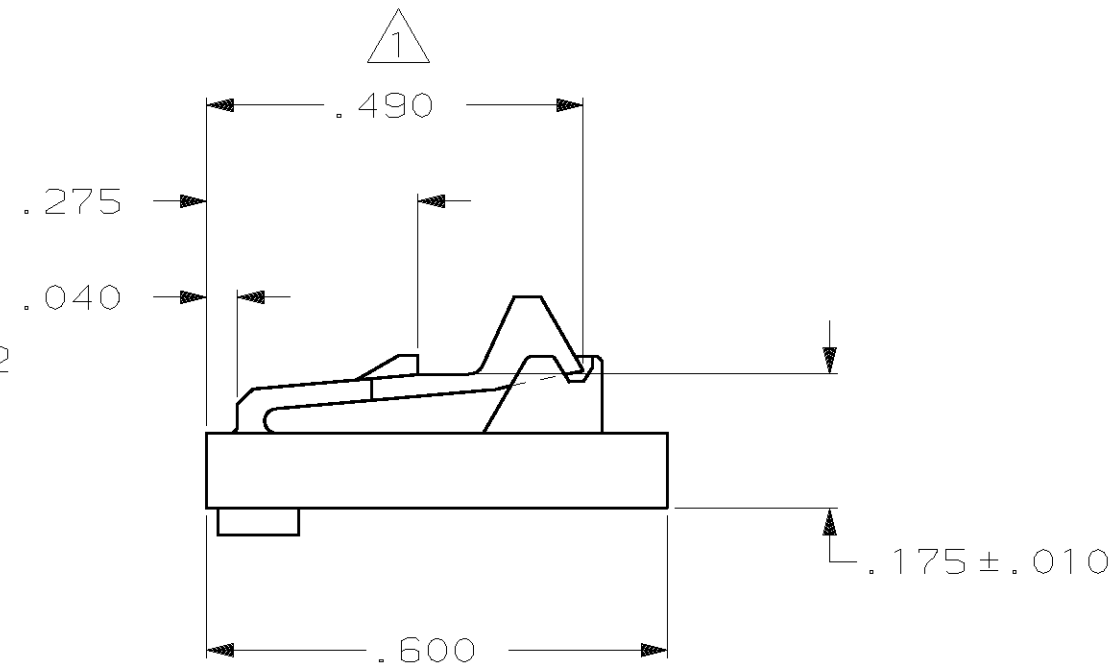
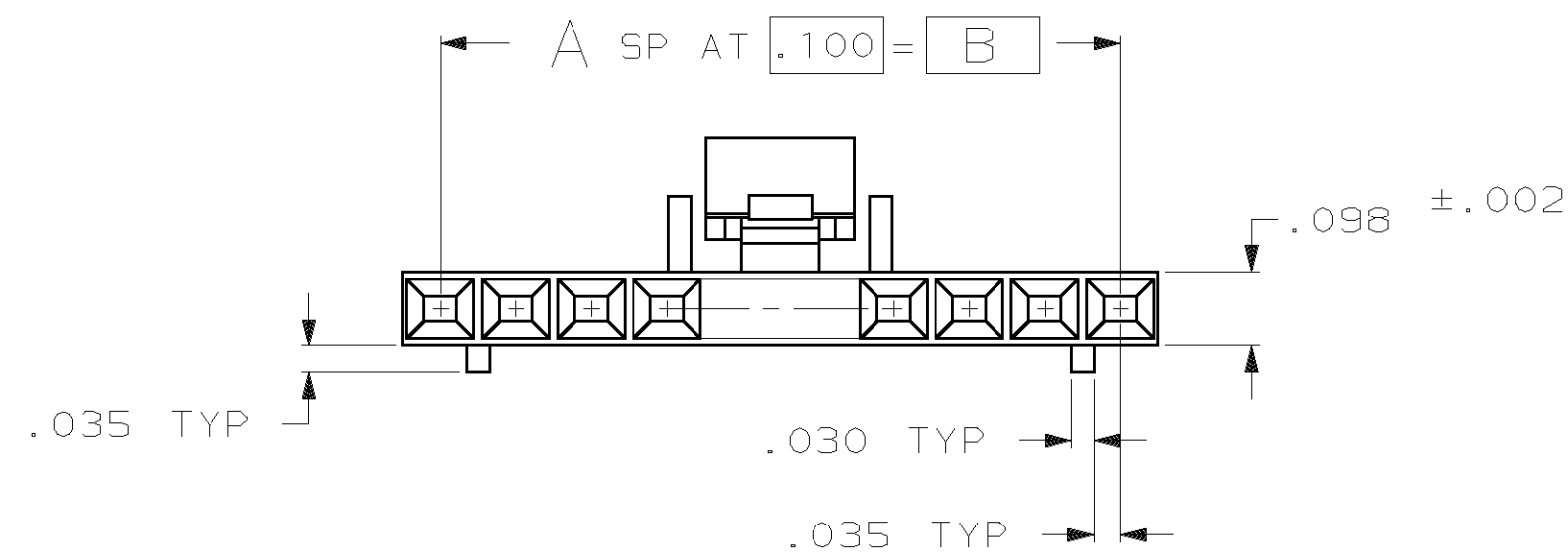
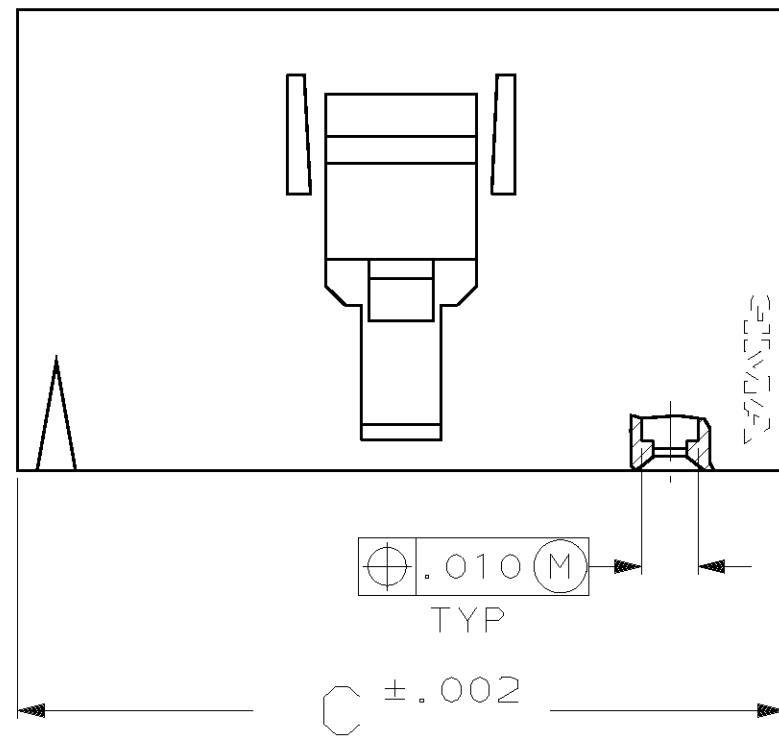
The content and copyrights of the attached
material are the property of its owner.

Jameco Part Number 496368

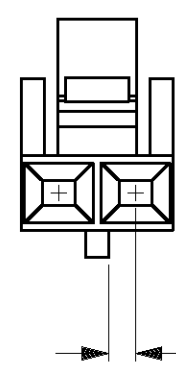
THIS DRAWING IS UNPUBLISHED. RELEASED FOR PUBLICATION, 19
 © COPYRIGHT 19 BY AMP INCORPORATED, HARRISBURG, PA. ALL INTERNATIONAL RIGHTS RESERVED. AMP PRODUCTS MAY BE COVERED BY U.S. AND FOREIGN PATENTS AND/OR PATENTS PENDING.

| LOC | DIST | P | F | ZONE | LTR | REVISIONS | DATE | APPROVED |
|-----|------|---|---|------|-----|--------------------------|---------|----------|
| AD | 39 | | | | | o RELEASED | - | - |
| | | | | | | A REV ECN 1923 | 7-8-88 | HM |
| | | | | | | B REV LOC & DIST AD-4171 | 3-90 | BF |
| | | | | | | C REV PER AD-6460 | 5-18-92 | MR |
| | | | | | | D REV PER 0010-0782-93 | 2-16-94 | JG |
| | | | | | | E REV PER 0010-1884-93 | 2-16-94 | JG |
| | | | | | | F REV PER EC 0G3C-296-01 | 27SEP01 | JG |

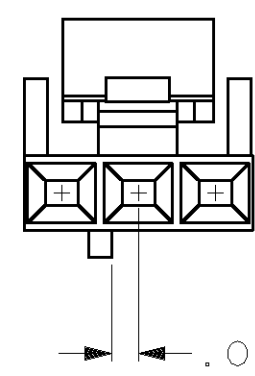
THIS DIMENSION .480 FOR 2 POSN ONLY



| | | | | |
|-------|-------|----|------------|-------------|
| 2.498 | 2.400 | 24 | 25 | 2-104257-4 |
| 2.398 | 2.300 | 23 | 24 | 2-104257-3 |
| 2.298 | 2.200 | 22 | 23 | 2-104257-2 |
| 2.198 | 2.100 | 21 | 22 | 2-104257-1 |
| 2.098 | 2.000 | 20 | 21 | 2-104257-0 |
| 1.998 | 1.900 | 19 | 20 | 1-104257-9 |
| 1.898 | 1.800 | 18 | 19 | 1-104257-8 |
| 1.798 | 1.700 | 17 | 18 | 1-104257-7 |
| 1.698 | 1.600 | 16 | 17 | 1-104257-6 |
| 1.598 | 1.500 | 15 | 16 | 1-104257-5 |
| 1.498 | 1.400 | 14 | 15 | 1-104257-4 |
| 1.398 | 1.300 | 13 | 14 | 1-104257-3 |
| 1.298 | 1.200 | 12 | 13 | 1-104257-2 |
| 1.198 | 1.100 | 11 | 12 | 1-104257-1 |
| 1.098 | 1.000 | 10 | 11 | 1-104257-0 |
| .998 | .900 | 9 | 10 | 104257-9 |
| .898 | .800 | 8 | 9 | 104257-8 |
| .798 | .700 | 7 | 8 | 104257-7 |
| .698 | .600 | 6 | 7 | 104257-6 |
| .598 | .500 | 5 | 6 | 104257-5 |
| .498 | .400 | 4 | 5 | 104257-4 |
| .398 | .300 | 3 | 4 | 104257-3 |
| .298 | .200 | 2 | 3 | 104257-2 |
| .198 | .100 | 1 | 2 | 104257-1 |
| C | B | A | NO OF POSN | PART NUMBER |



DETAIL FOR -1 ONLY (2 POSITION)



DETAIL FOR -2 ONLY (3 POSITION)

| | | | | |
|--|--|---|---|------------------|
| UNLESS OTHERWISE SPECIFIED DIMENSIONS ARE IN INCHES TOLERANCES ON : 2 PL DEC ± - 3 PL DEC ± .005 ANGLES ± - | DR 8-5-87 H MOLL | AMP INCORPORATED Harrisburg, Pa. 17105 | | |
| | CHK 8-5-87 P de Jong | | | |
| | MATERIAL: FLAME RETARDANT THERMOPLASTIC; COLOR:BLACK | APPD 8-5-87 P de Jong | NAME RECEPTACLE HOUSING, AMPMODU [®] MTE, SINGLE ROW, .100CL POLARIZED WITH LATCH | |
| | FINISH: | APPD 8-5-87 J SCHIEFER | SIZE C | FSCM NO 00779 |
| WEIGHT | PRODUCT SPEC 108-25034 | SCALE 4:1 | SHEET 1 OF 1 | |
| | APPLICATION SPEC 114-25026 | | | |