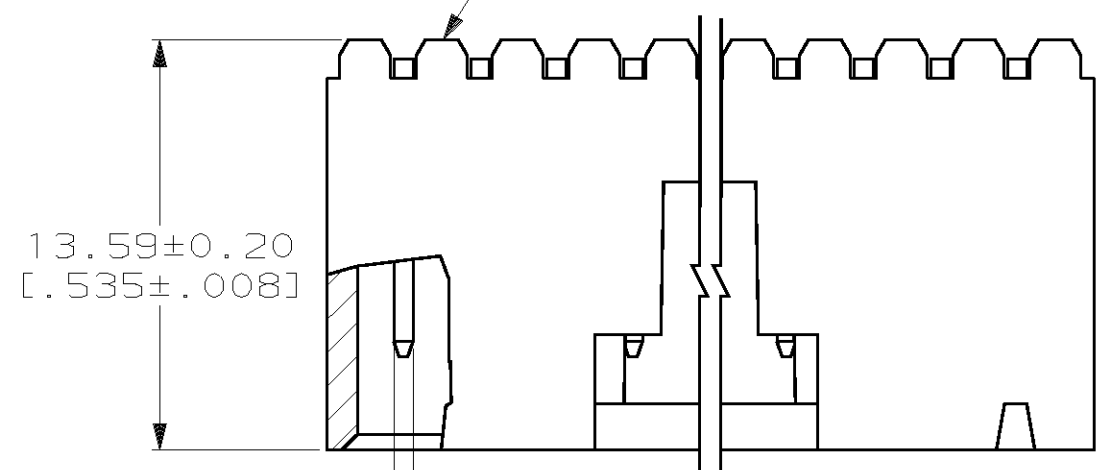


THIS DRAWING IS UNPUBLISHED. RELEASED FOR PUBLICATION, 19 .
 © COPYRIGHT 19 BY AMP INCORPORATED, HARRISBURG, PA. ALL INTERNATIONAL RIGHTS RESERVED. AMP PRODUCTS MAY BE COVERED BY U.S. AND FOREIGN PATENTS AND/OR PATENTS PENDING.

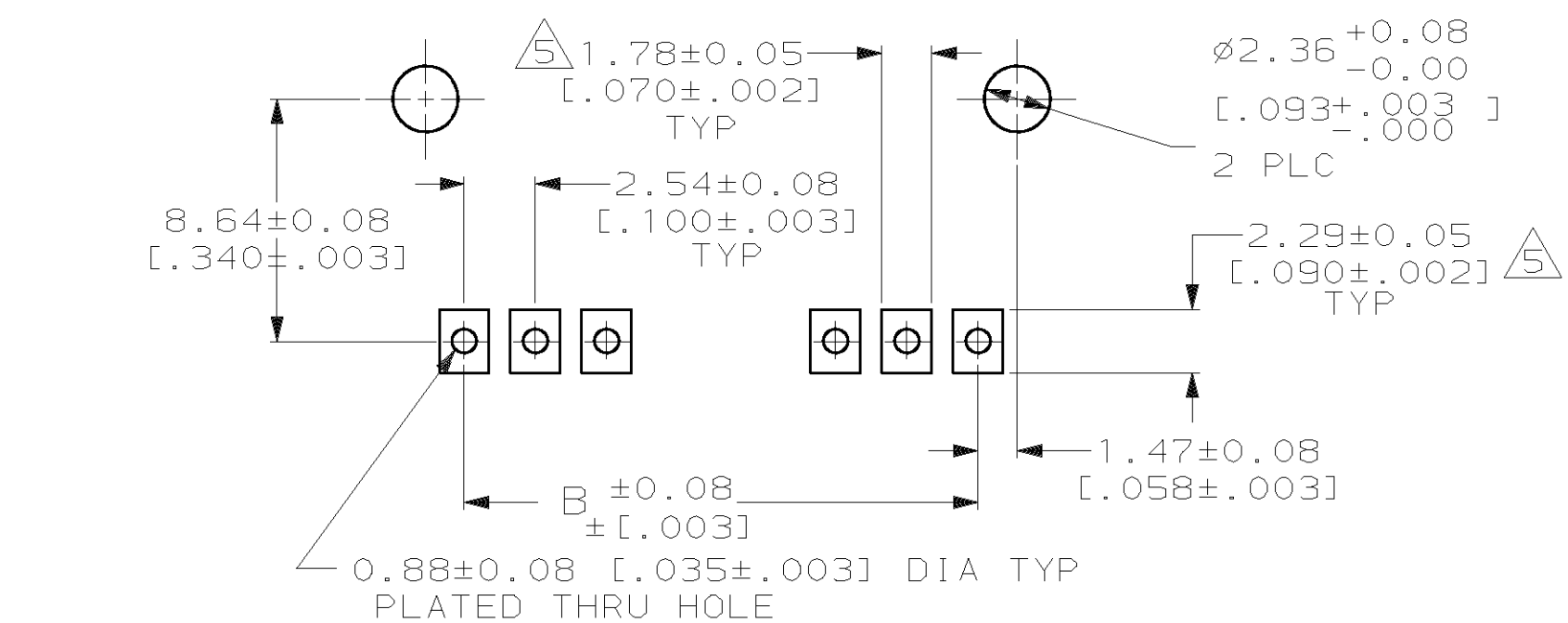
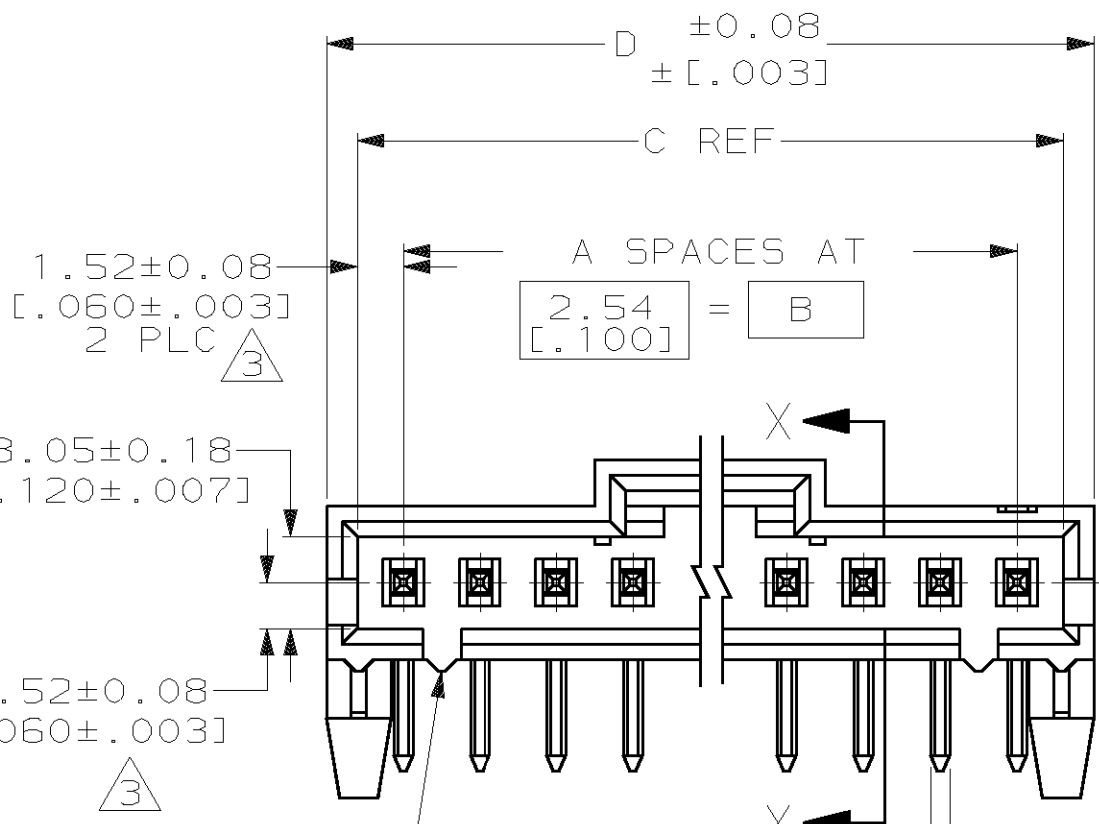
LOC		DIST		P		F		REVISIONS			
AD	00					ZONE	LTR	DESCRIPTION	DATE	APVD	
							M	REV PER OG3C-0176-00	13APROO	JG	
							N	REV PER EC OG3C-0441-00	05FEB01	KW	

AMP TRADEMARK ON THIS SURFACE

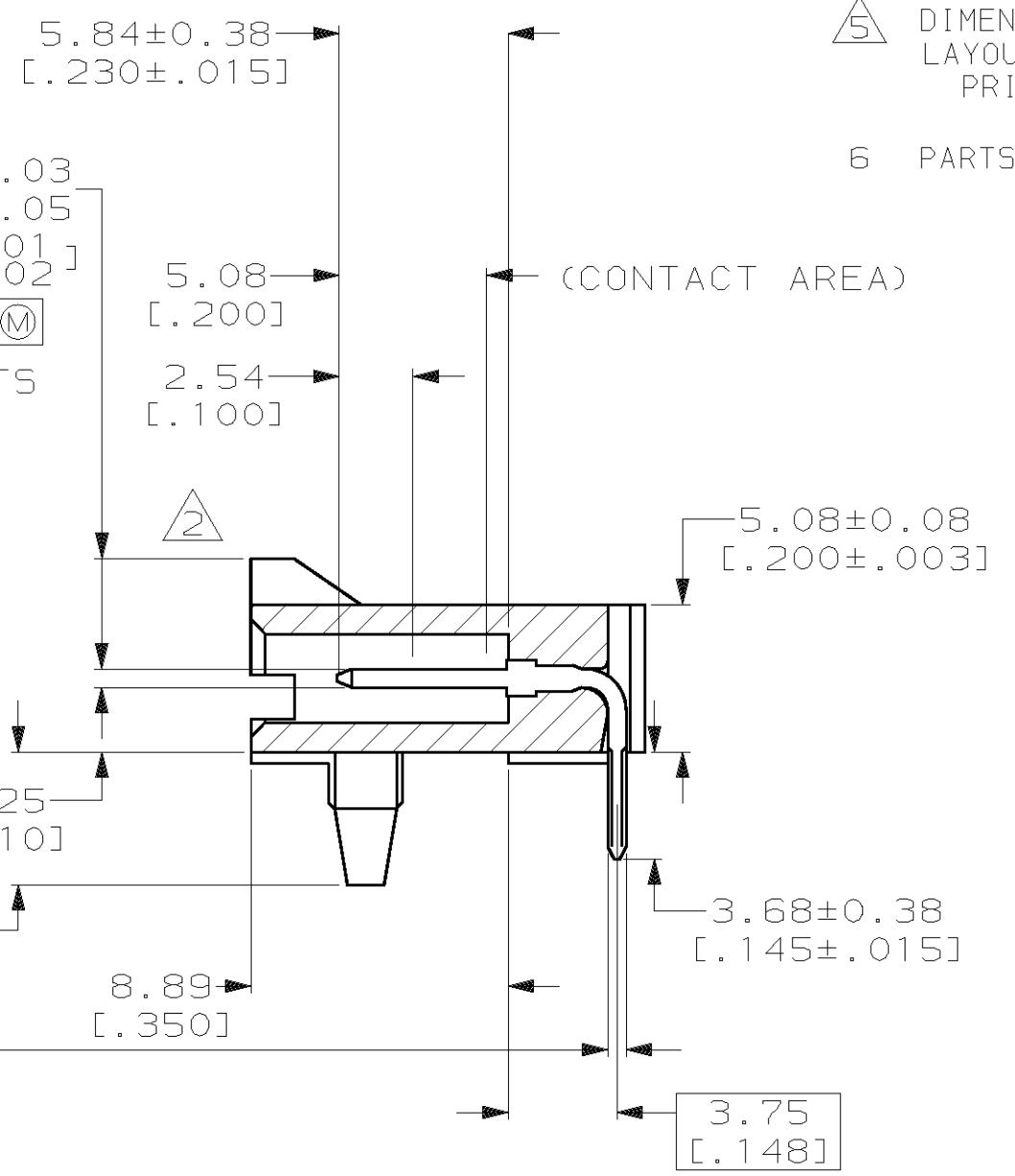


0.64±0.02
[.025±.001]
TYP

Ø 0.38 [.015] M
TYP AT POST TIPS



RECOMMENDED PC BOARD MOUNTING DIMENSIONS
 RECOMMENDED STENCIL THICKNESS = 0.25 [.010]



SECTION X-X

- ① 0.000381 [.000015] GOLD IN THE CONTACT AREA, 0.00254-0.00508 [.000100-.000200] MATTE TIN-LEAD ON THE SOLDER TAIL, ALL OVER 0.00127 [.000050] NICKEL.
- ② POINT OF MEASUREMENT FOR PLATING THICKNESS
- ③ THE NOTED DIMENSIONS APPLY FROM THE BASIC DIMENSION LINE (NOT THE POST CENTERLINE) TO THE SURFACE INDICATED
- ④ ON ASSEMBLIES WITH FOUR OR MORE POSITIONS, TWO POLARIZATION SLOTS. ON ASSEMBLIES WITH TWO OR THREE POSITIONS, ONE POLARIZATION SLOT.
- ⑤ DIMENSIONS NOTED ARE FOR SOLDER STENCIL LAYOUT FOR USE WITH A 1.57±0.20 [.062±.008] THICK PRINTED CIRCUIT BOARD

6 PARTS ARE PACKAGED IN GANG OF TUBES

66.04 [2.600]	64.01 [2.520]	60.96 [2.400]	24	25	2-104361-4
63.5 [2.500]	61.47 [2.420]	58.42 [2.300]	23	24	2-104361-3
60.96 [2.400]	58.93 [2.320]	55.88 [2.200]	22	23	2-104361-2
58.42 [2.300]	56.39 [2.220]	53.34 [2.100]	21	22	2-104361-1
55.88 [2.200]	53.85 [2.120]	50.8 [2.000]	20	21	2-104361-0
53.34 [2.100]	51.31 [2.020]	48.26 [1.900]	19	20	1-104361-9
50.8 [2.000]	48.77 [1.920]	45.72 [1.800]	18	19	1-104361-8
48.26 [1.900]	46.23 [1.820]	43.18 [1.700]	17	18	1-104361-7
45.72 [1.800]	43.69 [1.720]	40.64 [1.600]	16	17	1-104361-6
43.18 [1.700]	41.15 [1.620]	38.1 [1.500]	15	16	1-104361-5
40.64 [1.600]	38.61 [1.520]	35.56 [1.400]	14	15	1-104361-4
38.1 [1.500]	36.07 [1.420]	33.02 [1.300]	13	14	1-104361-3
35.56 [1.400]	33.53 [1.320]	30.48 [1.200]	12	13	1-104361-2
33.02 [1.300]	30.99 [1.220]	27.94 [1.100]	11	12	1-104361-1
30.48 [1.200]	28.45 [1.120]	25.4 [1.000]	10	11	1-104361-0
27.94 [1.100]	25.91 [1.020]	22.86 [.900]	9	10	104361-9
25.4 [1.000]	23.37 [.920]	20.32 [.800]	8	9	104361-8
22.86 [.900]	20.83 [.820]	17.78 [.700]	7	8	104361-7
20.32 [.800]	18.29 [.720]	15.24 [.600]	6	7	104361-6
17.78 [.700]	15.75 [.620]	12.7 [.500]	5	6	104361-5
15.24 [.600]	13.21 [.520]	10.16 [.400]	4	5	104361-4
12.7 [.500]	10.67 [.420]	7.62 [.300]	3	4	104361-3
10.16 [.400]	8.13 [.320]	5.08 [.200]	2	3	104361-2
7.62 [.300]	5.59 [.220]	2.54 [.100]	1	2	104361-1

D	C	B	A	NO OF POSN	ASSEMBLY PART NUMBER

UNLESS OTHERWISE SPECIFIED DIMENSIONS ARE IN INCHES TOLERANCES ON :	DR 2-22-88 G DOUTY
2 PL DEC ± -	CHK 2-22-88 T C CLARK
3 PL DEC ± 0.13 [.005]	APPD 2-22-88 T C CLARK
ANGLES ± -	APPD 2-22-88 R ELICKER
MATERIAL: HOUSING: HIGH TEMPERATURE THERMOPLASTIC COLOR:BLACK	PRODUCT SPEC
POSTS: BRASS	APPLICATION SPEC
FINISH: POST:	-
	WEIGHT
	-

AMP AMP INCORPORATED Harrisburg, Pa. 17105	
NAME HEADER ASSY, AMPMODU MTE, RIGHT ANGLE, SINGLE ROW, .100Ø, .025 SQ POSTS, WITH LATCH & HOLD DOWNS	
SIZE C	F5CM NO 00779
DRAWING NO 104361	
SCALE 4:1	SHEET 1 OF 1