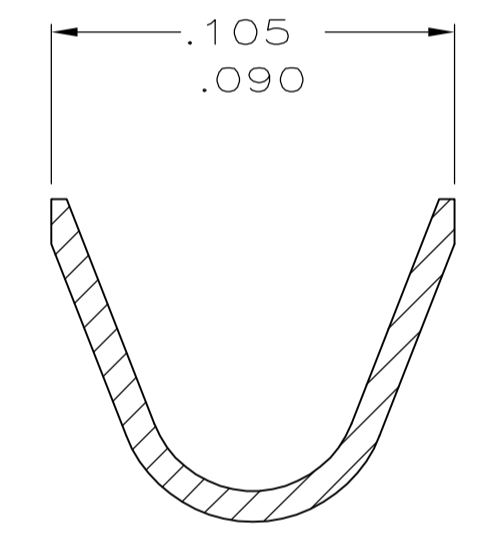
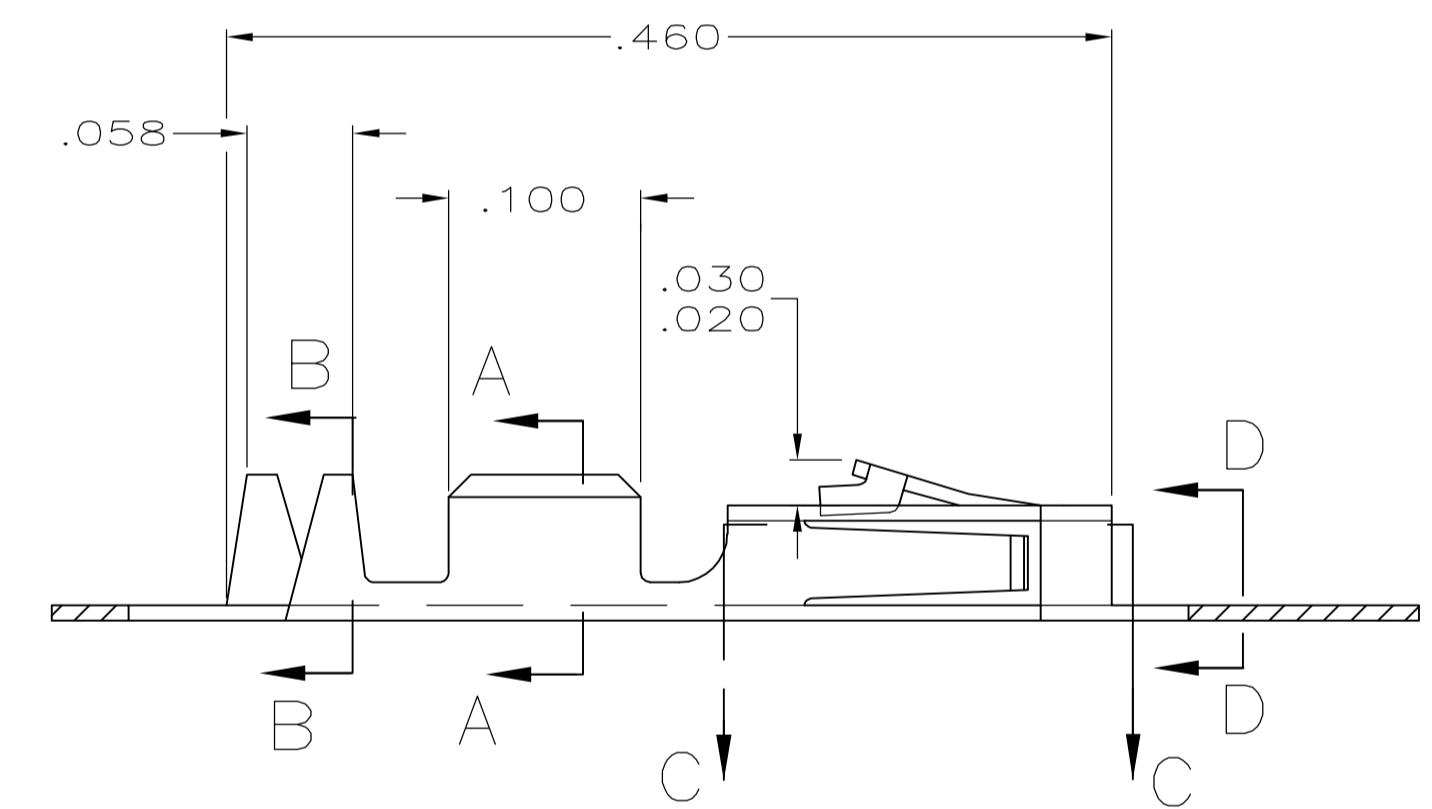
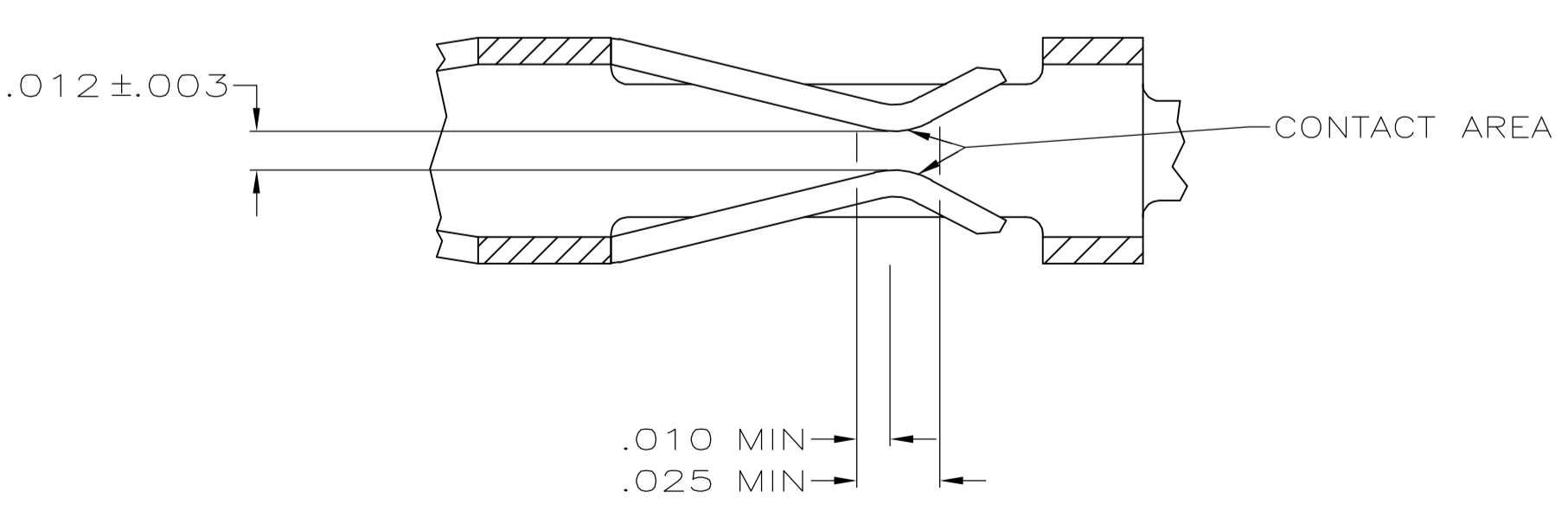


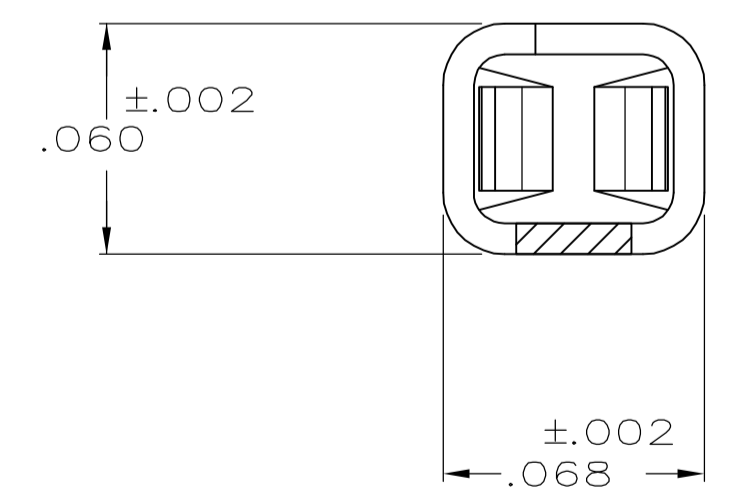
SECTION A-A
SCALE 20:1



SECTION B-B
INSULATION RANGE .025-.060
SCALE 20:1



SECTION C-C
SCALE 20:1



SECTION D-D
SCALE 20:1

- 1 .000100 MIN BRIGHT TIN-LEAD OVER .000050 MIN NICKEL ON ENTIRE CONTACT
- 2 .000050 MIN NICKEL ON ENTIRE CONTACT; .000015 MIN GOLD ON CONTACT AREA; .000050 MIN BRIGHT TIN-LEAD ON AREA M.
- 3 .000050 MIN NICKEL ON ENTIRE CONTACT; .000030 MIN GOLD ON CONTACT AREA; .000050 MIN BRIGHT TIN-LEAD ON AREA M.
- 4 LOOSE PIECE CUT-OFF DIMENSION.
- 5 .000100-.000200 TIN OVER .000050-.000100 NICKEL ON ENTIRE CONTACT.
- 6 PREPLATED MATERIAL: (.000015 MIN GOLD ON CONTACT AREA, .000050-.000100 TIN ON AREA M, ALL OVER .000050-.000100 NICKEL ON ENTIRE CONTACT).
- 7 PREPLATED MATERIAL: (.000030 MIN GOLD ON CONTACT AREA, .000050-.000100 TIN ON AREA M, ALL OVER .000050-.000100 NICKEL ON ENTIRE CONTACT).

REMARKS	FINISH	PART NO
LOOSE PIECE	REF	1-104479-3
LOOSE PIECE	REF	1-104479-2
LOOSE PIECE	REF	1-104479-1
STRIP		1-104479-0
STRIP		104479-9
STRIP		104479-8
LOOSE PIECE	REF	104479-7
LOOSE PIECE	REF	104479-6
LOOSE PIECE	REF	104479-5
STRIP		104479-4
STRIP		104479-3
STRIP		104479-2

THIS DRAWING IS A CONTROLLED DOCUMENT.

DIMENSIONS: INCHES	TOLERANCES UNLESS OTHERWISE SPECIFIED:	0 PLC ± -	1 PLC ± -	2 PLC ± -	3 PLC ± .005	4 PLC ± -	ANGLES ± -
--------------------	--	-----------	-----------	-----------	--------------	-----------	------------

DWG: C. OBERMAN	5-9-89		Tyco Electronics Corporation
CHK: K. HELM	5-12-89		Harrisburg, Pa 17105-3608
APP'D: R. HELICKER	5-12-89	NAME:	CONTACT, CRIMP SNAP-IN
PRODUCT SPEC:	108-1472	APPLICATION SPEC:	AMPMODU SHORT POINT, 20-24 AWG
SIZE:	114-25038	RESTRICTED TO:	
MATERIAL: PHOSPHOR BRONZE	FINISH: SEE TABLE	WEIGHT:	A1 00779 C=104479
CUSTOMER DRAWING		SCALE: 10:1	SHEET 1 OF 1 REV R